

**BILL OF MATERIAL**

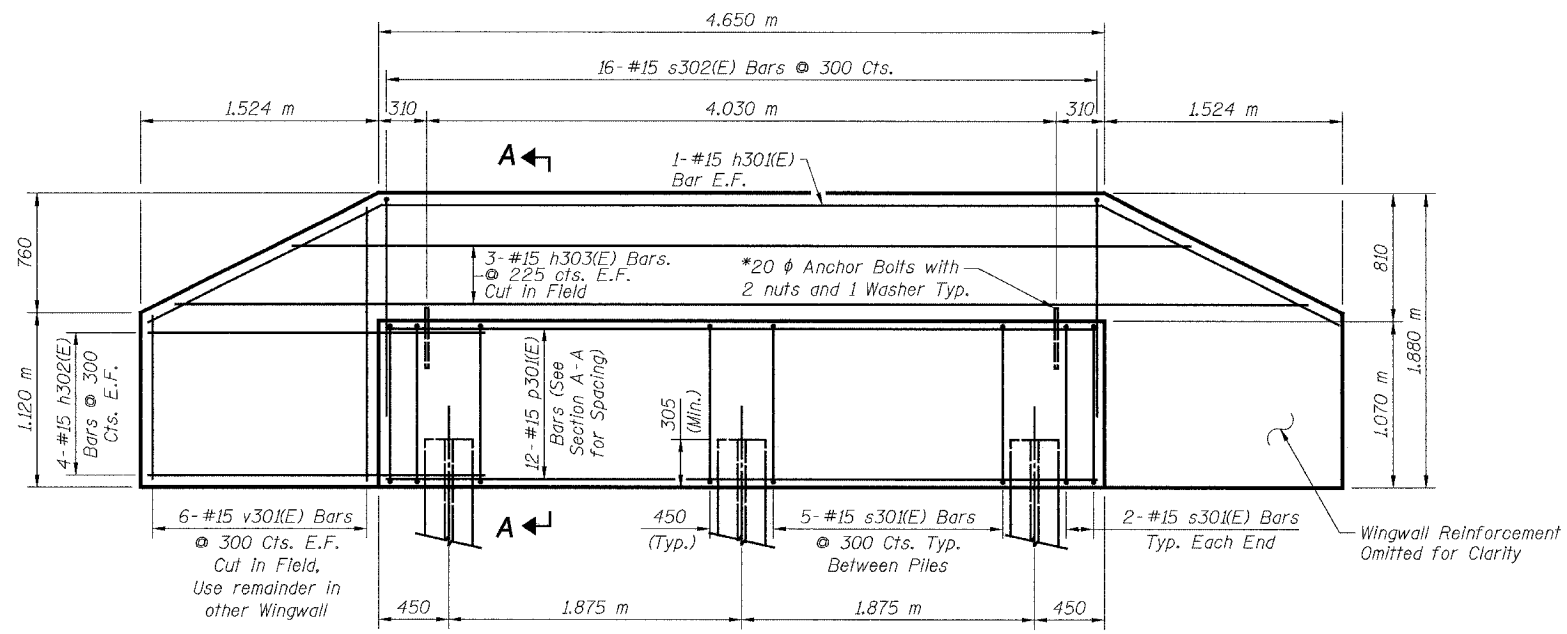
Bar	No.	Size	Length	Shape
h301(E)	4	#15	7.90 m	
h302(E)	32	#15	2.41 m	
h303(E)	12	#15	7.55 m	
p301(E)	24	#15	4.55 m	
s301(E)	28	#15	3.48 m	
s302(E)	32	#15	3.63 m	
v301(E)	24	#15	2.80 m	
Concrete Structures		Cu. M	13.1	
Reinforcement Bars, Epoxy Coated		kg	930	
Furnishing Steel Piles HP310x79		Meter	100	
Driving Steel Piles		Meter	100	
Metal Shoes		Each	5	
Test Pile Steel HP310x79		Each	1	
Structure Excavation		Cu. M	30.5	

**LEGEND**

E.F. = Each Face

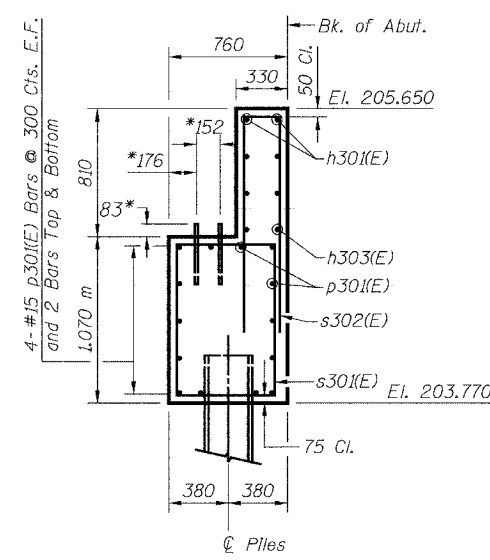
**MIN. BAR LAP**

#15 = 890



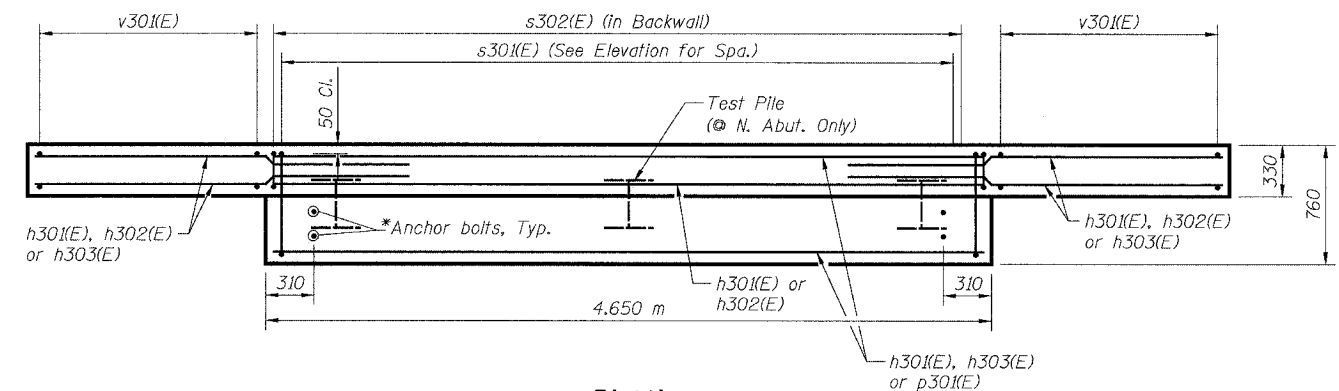
**ELEVATION**

(North Abument - Shown)  
(South Abument - Similar)

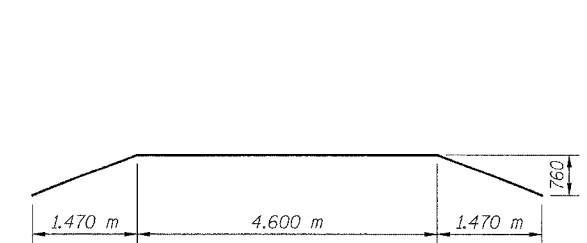


**SECTION A-A**

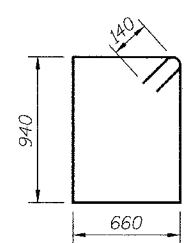
\*Anchor bolt size and locations shall be checked against the bridge fabricator's requirements prior to setting them.



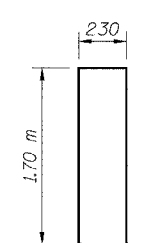
**PLAN**



**BAR h301(E)**



**BAR s301(E)**



**BAR s302(E)**

**NOTES:**

- Space reinforcement in cap to miss anchor bolts.
- All edges shall have standard 20 mm chamfers except as noted.
- For Anchor Bolt Details, see Sheet S27.
- There shall be no splicing of longitudinal bars. Bars shall be ordered full length.
- Bars designated (E) shall be epoxy coated.

**PILE DATA:**

Type: HP310x79  
Capacity: Driven to Refusal  
Est. Length: 20 m (S. Abut)  
20 m (N. Abut)  
No. Required: 3 (S. Abut)  
2 + 1 Test Pile (N. Abut)  
(Test Pile shall be a permanent pile driven at the North Abutment)

SHEET S13 of S28

REVISIONS		NAME	DATE

**URS**

1701 GOLF ROAD, SUITE 1000  
ROLLING MEADOWS, IL 60008

TEL (847) 228-0707  
FAX (847) 228-1115

VILLAGE OF ADDISON  
SALT CREEK GREENWAY TRAIL  
PEDESTRIAN BRIDGE, STA. 15+837.5  
ABUTMENT DETAILS

DATE: 11/03/04  
DESIGNED BY: MDS

DRAWN BY: MDS  
CHECKED BY: GAT