

**BILL OF MATERIAL**

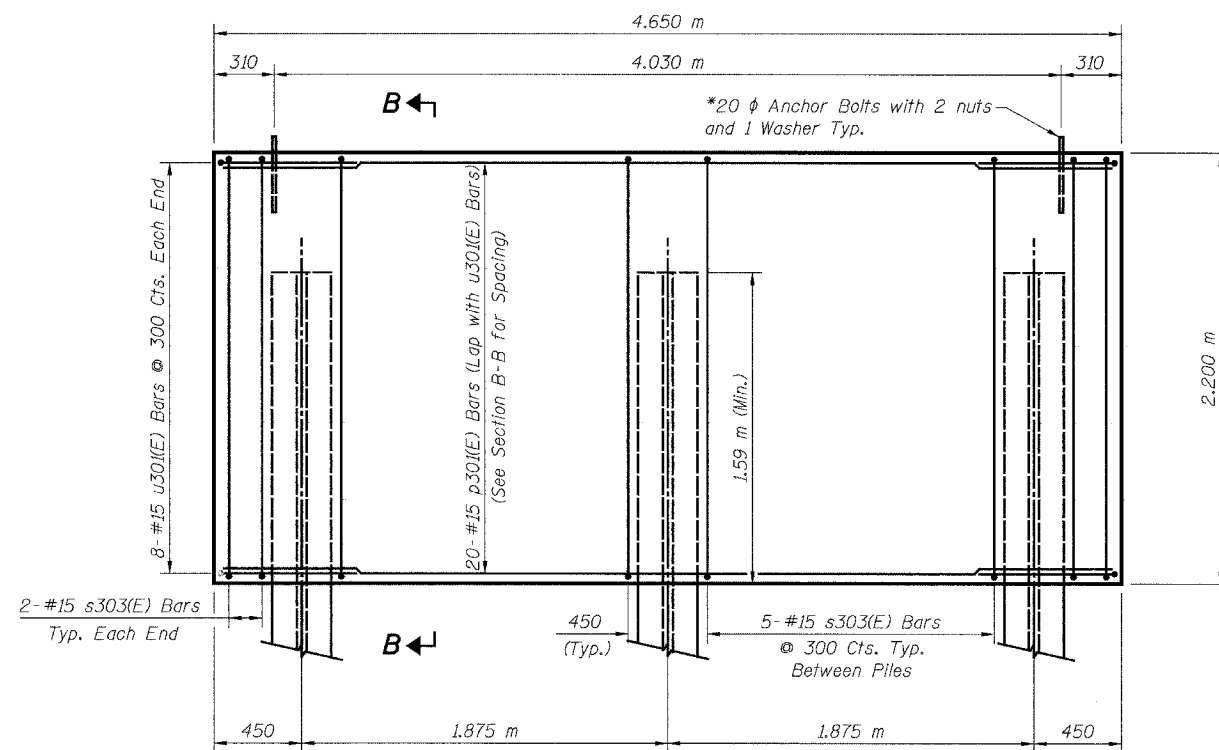
Bar	No.	Size	Length	Shape
p30(E)	20	#15	4.55 m	—
s303(E)	14	#15	6.12 m	□
u30(E)	16	#15	2.63 m	┌
Concrete Structures		Cu. M	9.8	
Reinforcement Bars, Epoxy Coated		kg	350	
Furnishing Steel Piles HP310x79		Meter	63	
Driving Steel Piles		Meter	63	
Metal Shoes		Each	3	
Structure Excavation		Cu. M	5.1	

**LEGEND**

E.F. = Each Face

**MIN. BAR LAP**

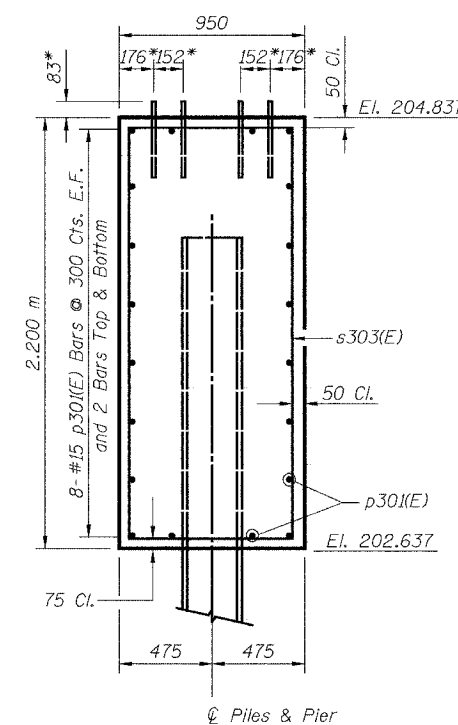
#15 = 890



**ELEVATION**

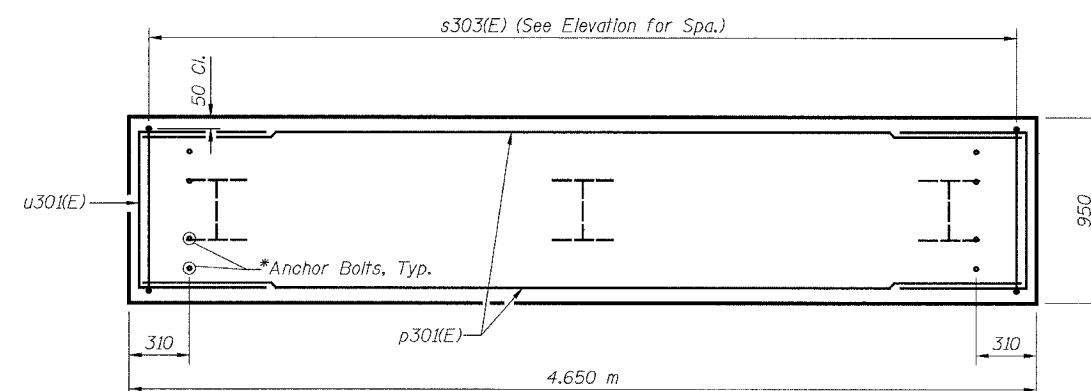
**PILE DATA:**

Type: HP310x79  
Capacity: Driven to Refusal  
Est. Length: 21.0 m  
No. Required: 3

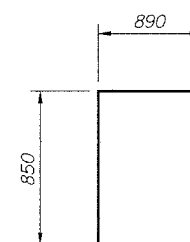


**SECTION B-B**

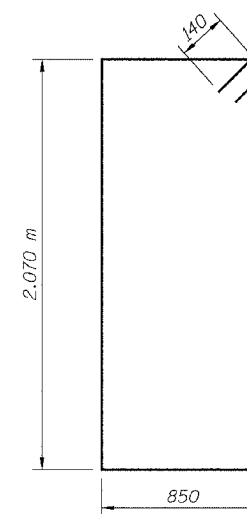
\*Anchor bolt size and locations shall be checked against the bridge fabricator's requirements prior to setting them.



**PLAN**



**BAR u30(E)**



**BAR s303(E)**

**NOTES:**

- Space reinforcement in cap to miss anchor bolts.
- All edges shall have standard 20 mm chamfers except as noted.
- For Anchor Bolt Details, see Sheet S27.
- There shall be no splicing of longitudinal bars. Bars shall be ordered full length.
- Bars designated (E) shall be epoxy coated.

SHEET S14 of S28

REVISIONS		NAME	DATE	<b>URS</b> 1701 GOLF ROAD, SUITE 1000 ROLLING MEADOWS, IL 60008 TEL (847) 228-0707 FAX (847) 228-1115
NO.	DESCRIPTION			
				VILLAGE OF ADDISON <b>SALT CREEK GREENWAY TRAIL          PEDESTRIAN BRIDGE, STA. 15+837.5          PIER DETAILS</b>
				DATE: 11/03/04 DESIGNED BY: MDS
				DRAWN BY: MDS CHECKED BY: GAT