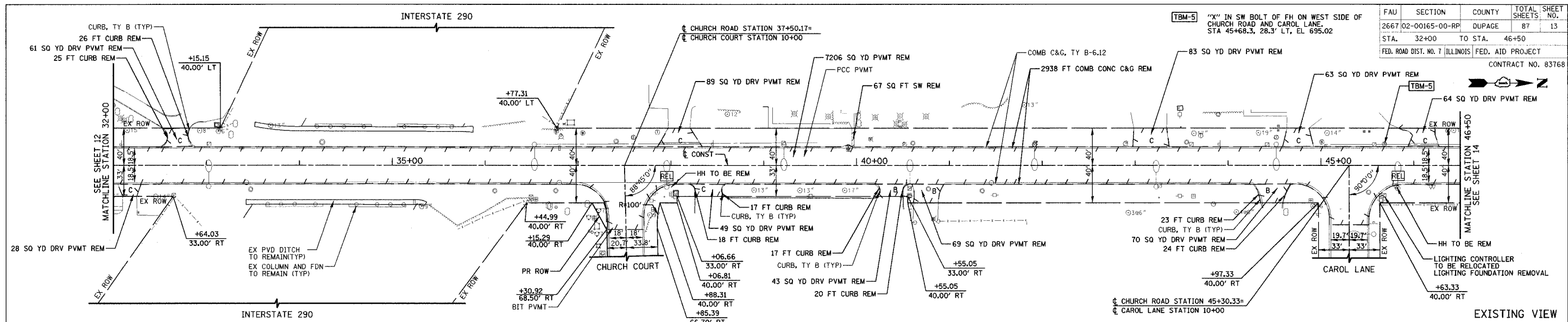
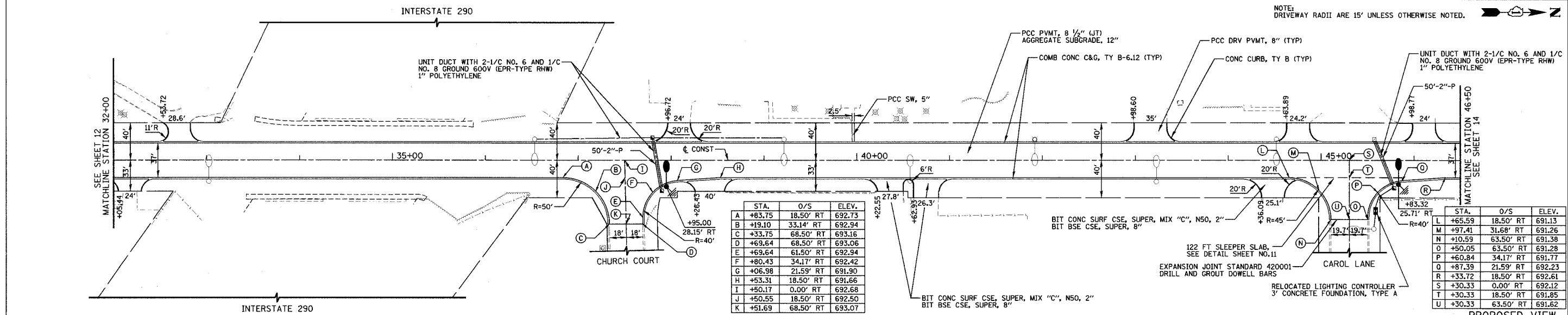


FAU	SECTION	COUNTY	TOTAL SHEETS	NO.
2667	02-00165-00-RP	DUPAGE	87	13
STA.	32+00	TO STA.	46+50	
FED. ROAD DIST. NO. 7 ILLINOIS FED. AID PROJECT				
CONTRACT NO. 83768				

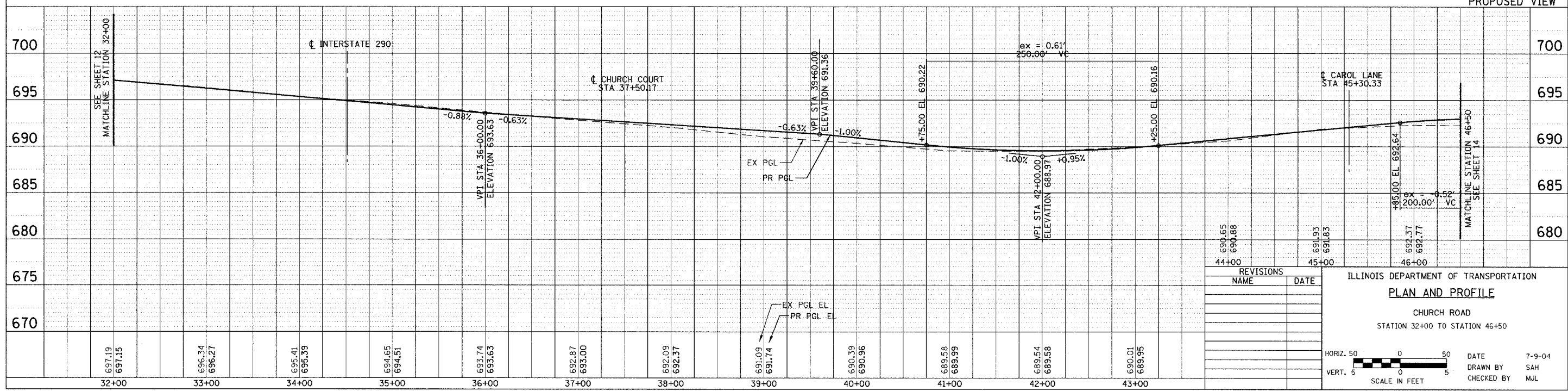
TBM-5 "X" IN SW BOLT OF FH ON WEST SIDE OF CHURCH ROAD AND CAROL LANE. STA 45+68.3, 28.3' LT, EL. 695.02



EXISTING VIEW



PROPOSED VIEW



REVISIONS	NAME	DATE

ILLINOIS DEPARTMENT OF TRANSPORTATION  
**PLAN AND PROFILE**  
 CHURCH ROAD  
 STATION 32+00 TO STATION 46+50

HORIZ. 50 0 50  
 VERT. 5 0 5  
 SCALE IN FEET

DATE 7-9-04  
 DRAWN BY SAH  
 CHECKED BY MJL

DATE: \_\_\_\_\_ BY: \_\_\_\_\_  
 CHECKED: \_\_\_\_\_  
 PLAN NOTE BOOK NO. \_\_\_\_\_  
 DATE: \_\_\_\_\_ BY: \_\_\_\_\_  
 CHECKED: \_\_\_\_\_  
 PROFILE NOTE BOOK NO. \_\_\_\_\_

