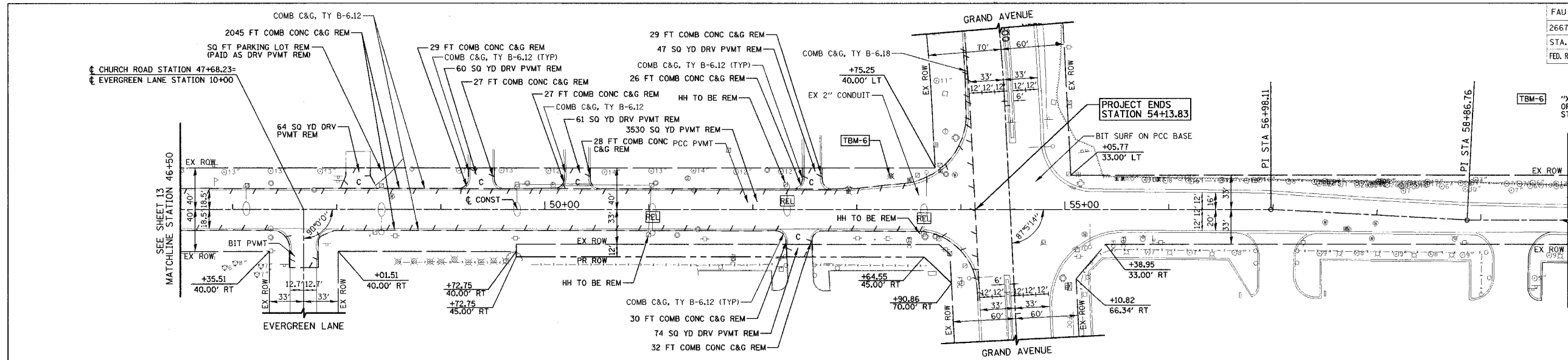
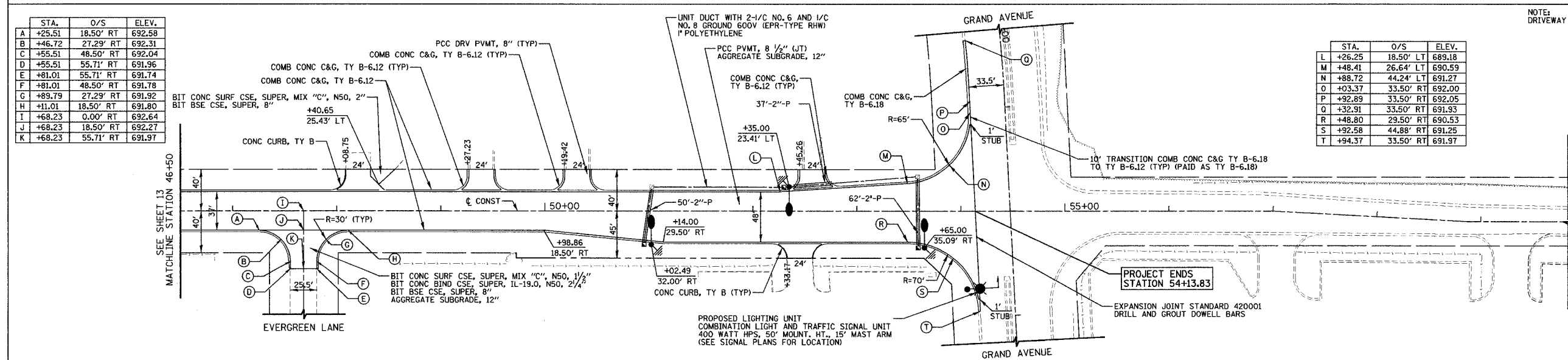


FAU	SECTION	COUNTY	TOTAL SHEETS	SHEET NO.
2667	02-00165-00-RP	DUPAGE	87	14
STA. 46+50		TO STA. 54+13.83		
FED. ROAD DIST. NO. 7 ILLINOIS FED. AID PROJECT				
CONTRACT NO. 83768				

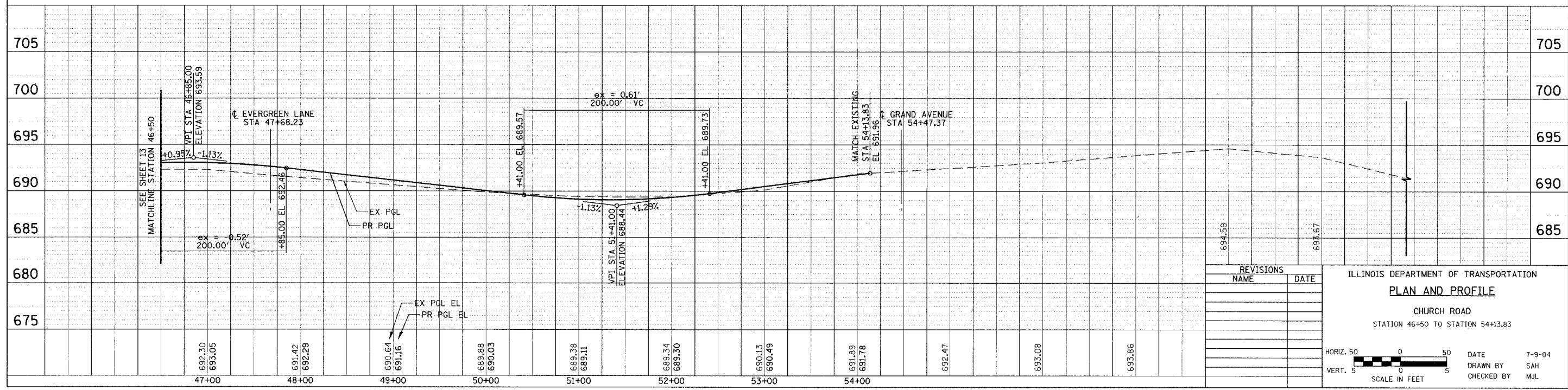
"X" IN NW BOLT OF FH AT THE SW CORNER OF CHURCH ROAD AND GRAND AVENUE. STA 53+32.4, 32.5' LT, EL. 692.55



EXISTING VIEW



PROPOSED VIEW



DATE: _____ BY: _____
 PLAN: _____
 REVISIONS: _____
 CHECKED: _____
 DATE: _____

DATE: _____ BY: _____
 PROFILE: _____
 REVISIONS: _____
 CHECKED: _____
 DATE: _____



REVISIONS	
NAME	DATE

ILLINOIS DEPARTMENT OF TRANSPORTATION
PLAN AND PROFILE
 CHURCH ROAD
 STATION 46+50 TO STATION 54+13.83

HORIZ. 50 0 50
 VERT. 5 0 5
 SCALE IN FEET

DATE 7-9-04
 DRAWN BY SAH
 CHECKED BY MJL