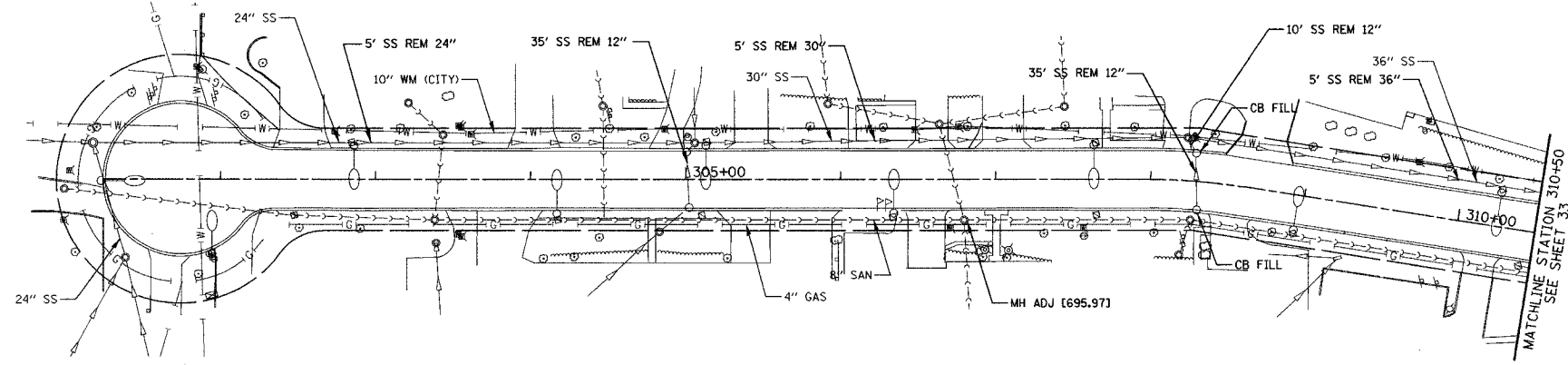
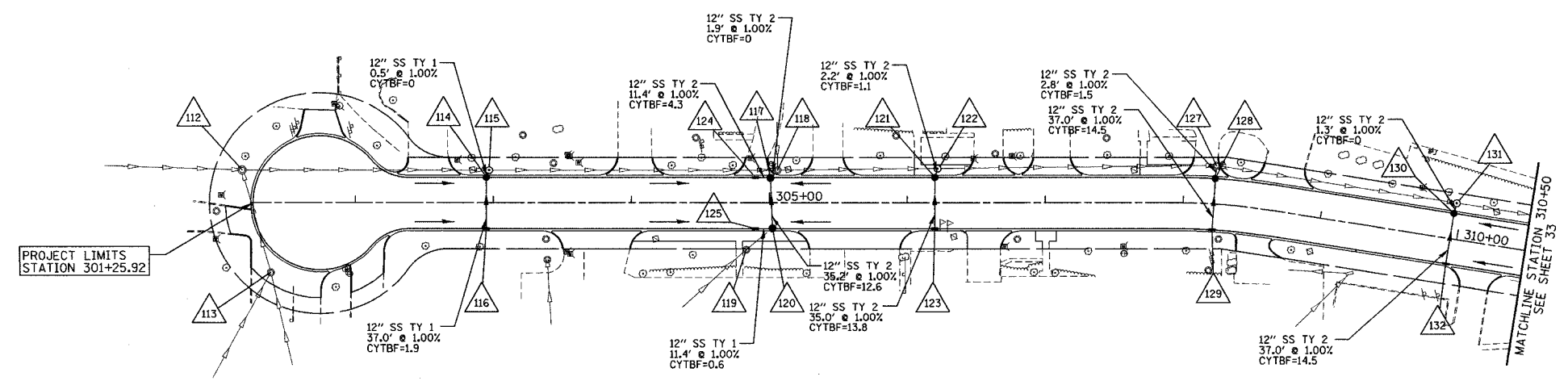


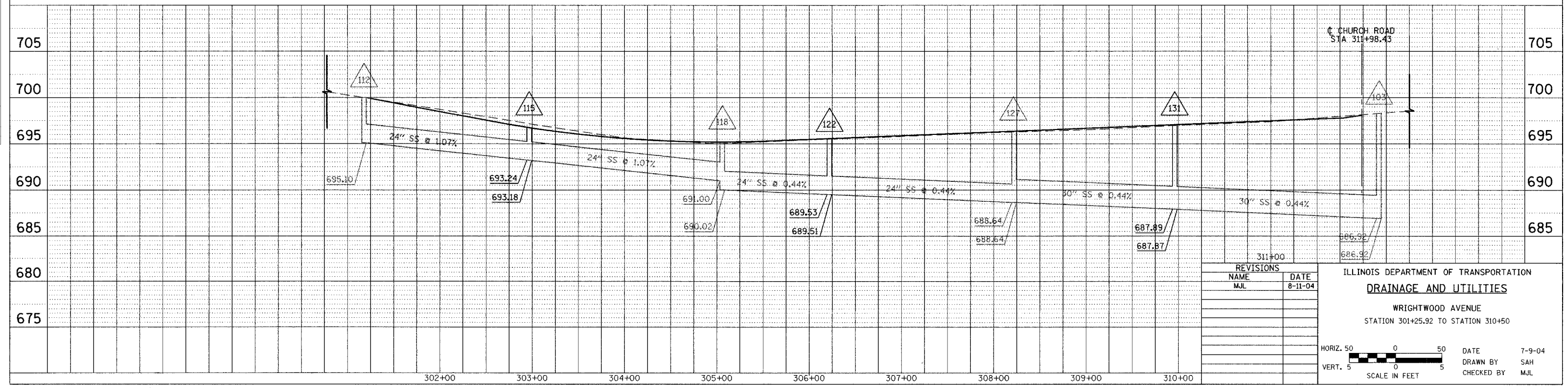
FAU	SECTION	COUNTY	TOTAL SHEETS	SHEET NO.
2667	02-00165-00-RP	DUPAGE	87	38
STA. 301+25.92 TO STA. 310+50				
FED. ROAD DIST. NO. 7 ILLINOIS		FED. AID PROJECT		
CONTRACT NO. 83768				



EXISTING VIEW



PROPOSED VIEW



DATE	BY
SURVEYED	
PLAN	NOTE BOOK
NO.	NO.

DATE	BY
PROFILE	
NO.	NO.



REVISIONS	
NAME	DATE
MJL	8-11-04

ILLINOIS DEPARTMENT OF TRANSPORTATION  
DRAINAGE AND UTILITIES  
WRIGHTWOOD AVENUE  
STATION 301+25.92 TO STATION 310+50

HORIZ. 50  
VERT. 5  
SCALE IN FEET

DATE 7-9-04  
DRAWN BY SAH  
CHECKED BY MJL

5/15/02 09:08 AM P:\PROJECTS\02-00165-00-RP\DWG\02-00165-00-RP-38.DWG