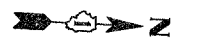
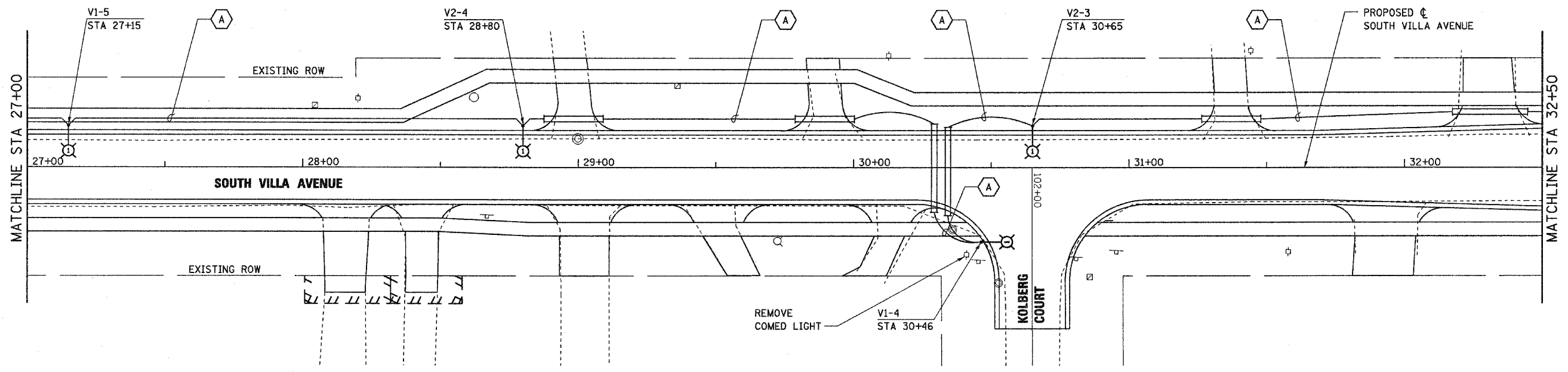
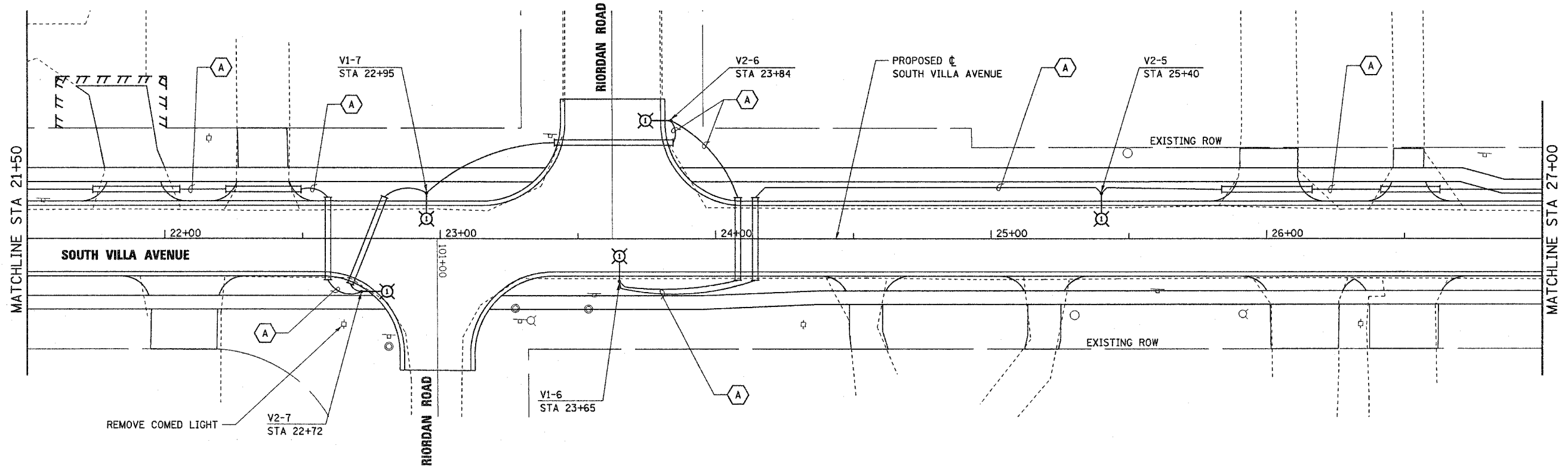


F.A.U. RTE.	SECTION	COUNTY	TOTAL SHEETS	SHEET NO.
2652	00-00069-00-PV	DUPAGE	146	79
STA. 10+70.70		TO STA. 66+16.00		
FED. ROAD DIST. NO.	ILLINOIS	FED. AID PROJECT		
CONTRACT NO. 83781				



ERNEST E. LEARY  
 062-055760  
 STATE OF ILLINOIS  
 SIGNATURE AND DATE

20 0 40  
 SCALE: 1"=20'

REVISIONS	
NAME	DATE

**Stanley Consultants INC.**  
 850 West Higgins Road  
 Suite 130  
 Chicago, Illinois 60631-2801 Illinois Firm Registration No. 04-00633

VILLAGE OF VILLA PARK, ILLINOIS  
**ELECTRICAL PLAN**  
**SOUTH VILLA AVENUE**  
**SHEET 2 OF 5**  
 STA 21+50 TO STA 32+50  
 SCALE: 1"=20'  
 DATE: 11-NOV-2004  
 DRAWN BY: E.D.  
 CHECKED BY: J.T.G.

DATE	
BY	
REVISIONS	
PLANNED	
NOTED	
NO. 1	
NO. 2	
NO. 3	
NO. 4	
NO. 5	
NO. 6	
NO. 7	
NO. 8	
NO. 9	
NO. 10	

DATE	
BY	
REVISIONS	
PLANNED	
NOTED	
NO. 1	
NO. 2	
NO. 3	
NO. 4	
NO. 5	
NO. 6	
NO. 7	
NO. 8	
NO. 9	
NO. 10	