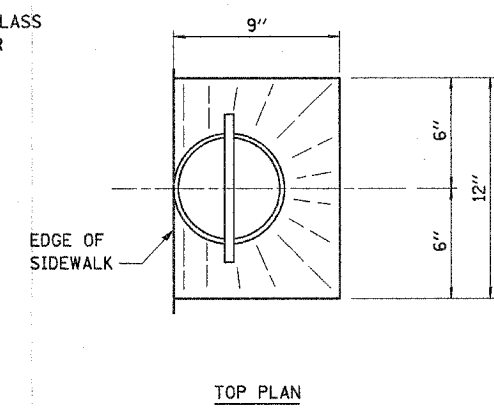
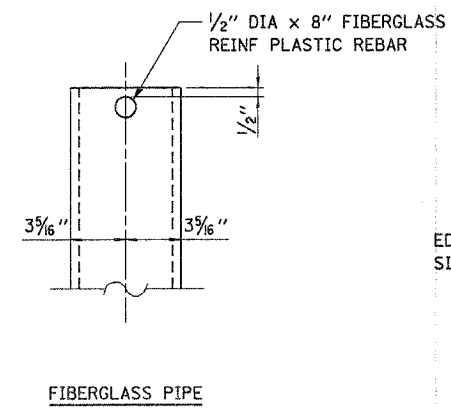
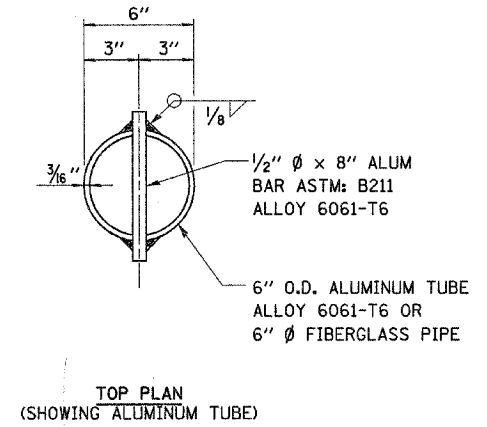
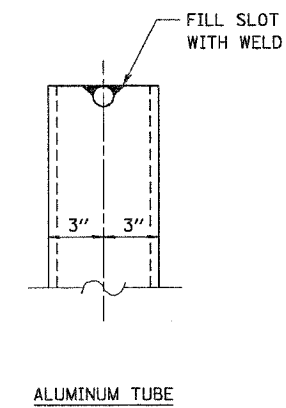
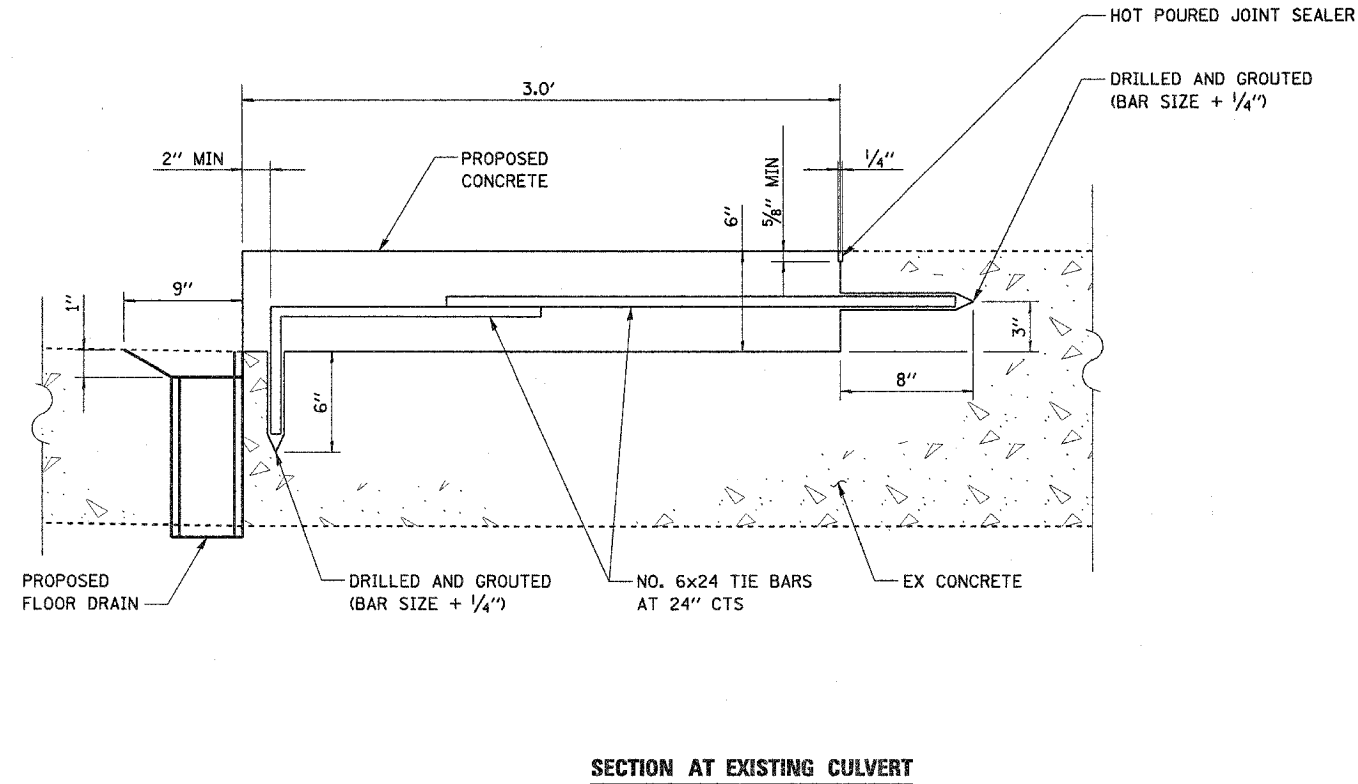


F.A.U. RTE.	SECTION	COUNTY	TOTAL SHEETS	SHEET NO.
2652	00-00069-00-PV	DUPAGE	146	84
STA. 10+70.70		TO STA. 66+16.00		
FED. ROAD DIST. NO.		ILLINOIS FED. AID PROJECT		
CONTRACT NO. 83781				



FLOOR DRAIN DETAILS

NOTES:

1. EXISTING FLOOR DRAINS ARE TO BE FILLED PRIOR TO PLACEMENT OF SIDEWALK.
2. GROUT SHALL BE USED FOR FLOOR DRAIN PIPE INSTALLATION AND FINAL SHAPING.



REVISIONS	
NAME	DATE

VILLAGE OF VILLA PARK, ILLINOIS

SIDEWALK WIDENING AND FLOOR DRAIN DETAIL

SCALE: NONE
DATE: 11-NOV-2004

DRAWN BY: E.D.
CHECKED BY: J.T.G.

DATE	
BY	
PLAN	
SURVEYED	
SCALE	
NOTED	
STRUCTURE	
NOTATING	
CHRD	
NO.	

DATE	
BY	
PROFILE	
SURVEYED	
SCALE	
NOTED	
STRUCTURE	
NOTATING	
CHRD	
NO.	