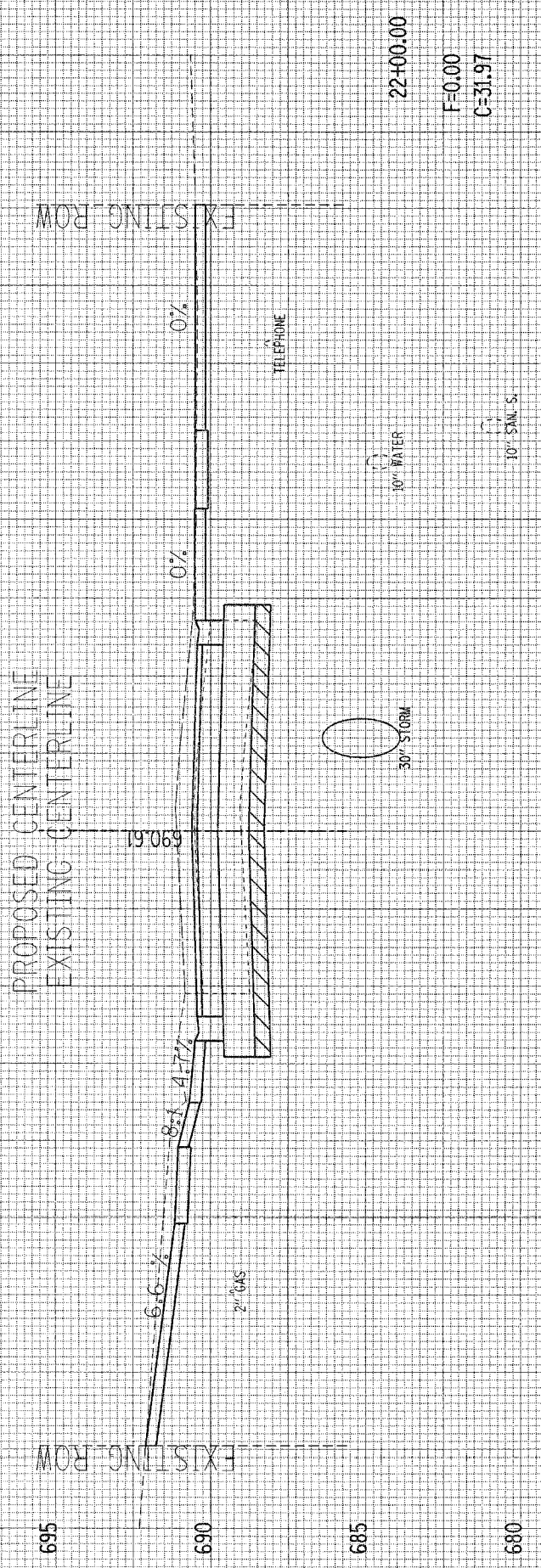


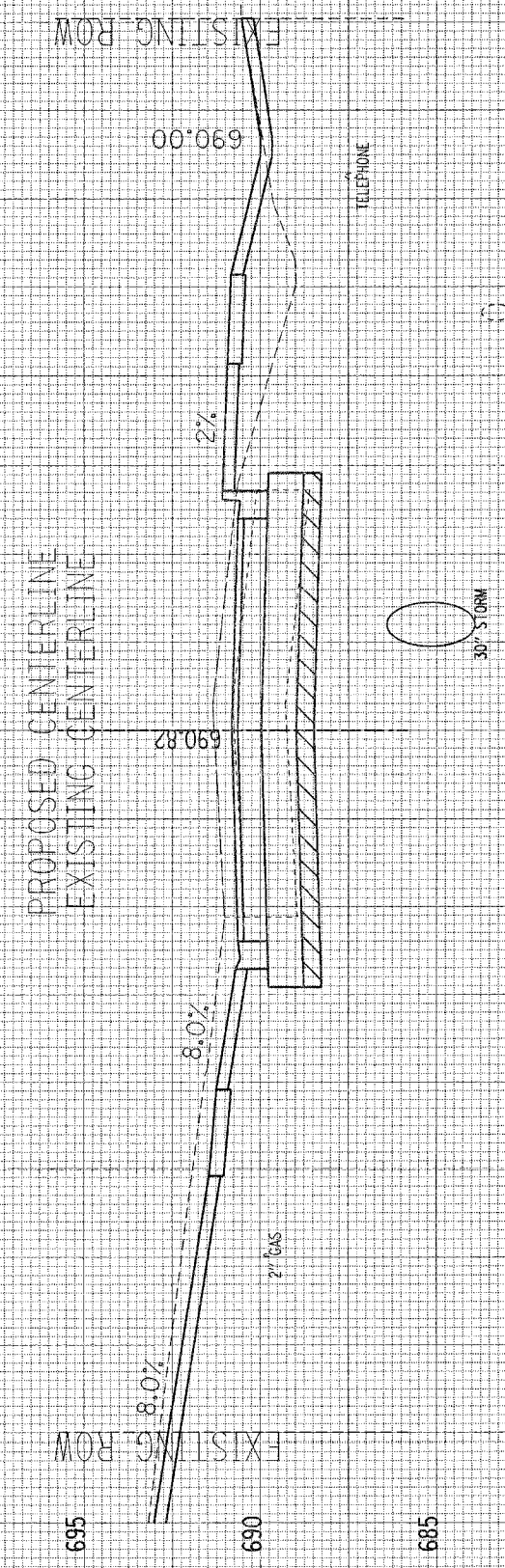
FINAL SURVEY	SURVEYED	BY	DATE
NOTE BOOK	TEMPORARY		
NO.	AREAS CHECKED		

ORIGINAL SURVEY	SURVEYED	BY	DATE
NOTE BOOK	TEMPORARY		
NO.	AREAS CHECKED		

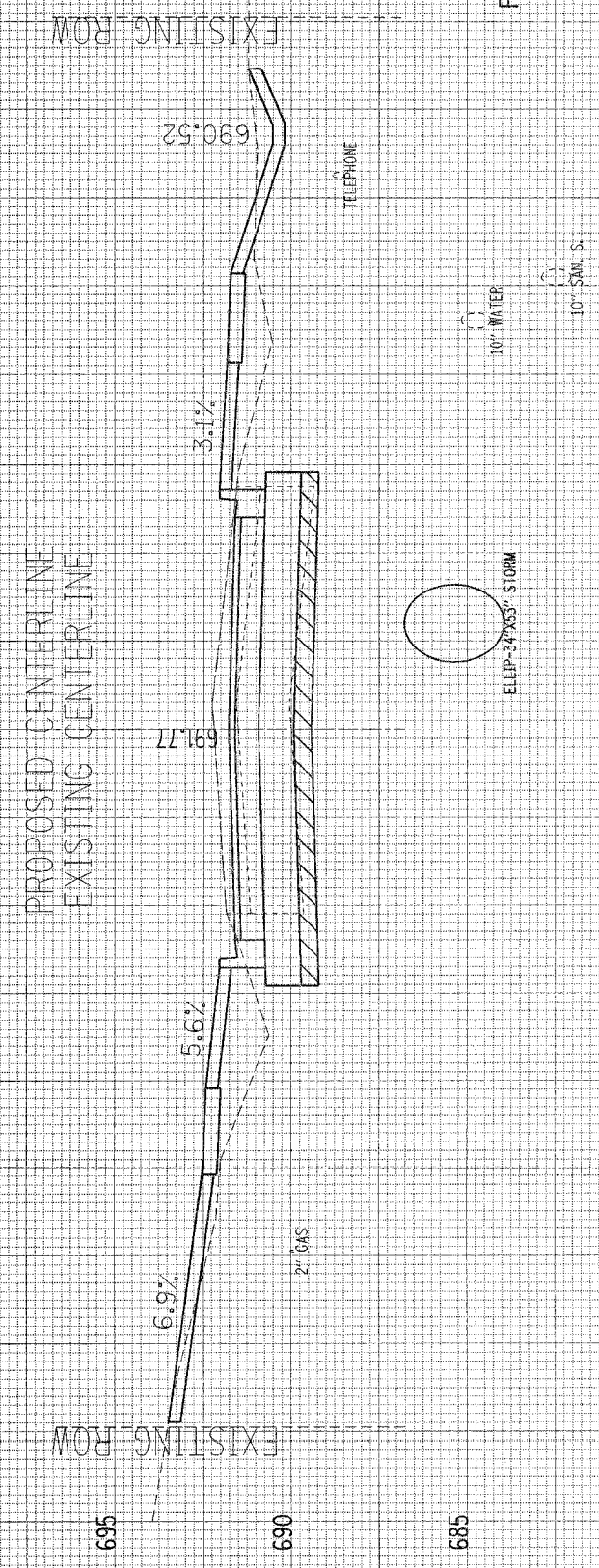
F.A.U. RTE.	SECTION	COUNTY	TOTAL SHEETS	SHEET NO.
2652	00-00069-00-PV	DUPAGE	146	100
STA. 10+70.70	TO STA. 66+16.00			
FED. ROAD DIST. NO.	ILLINOIS	FED. AID PROJECT		
CONTRACT NO. 83781				



22+00.00
F=0.00
C=31.97



21+89.34
F=18.77
C=39.09



21+50.00
F=25.05
C=9.79