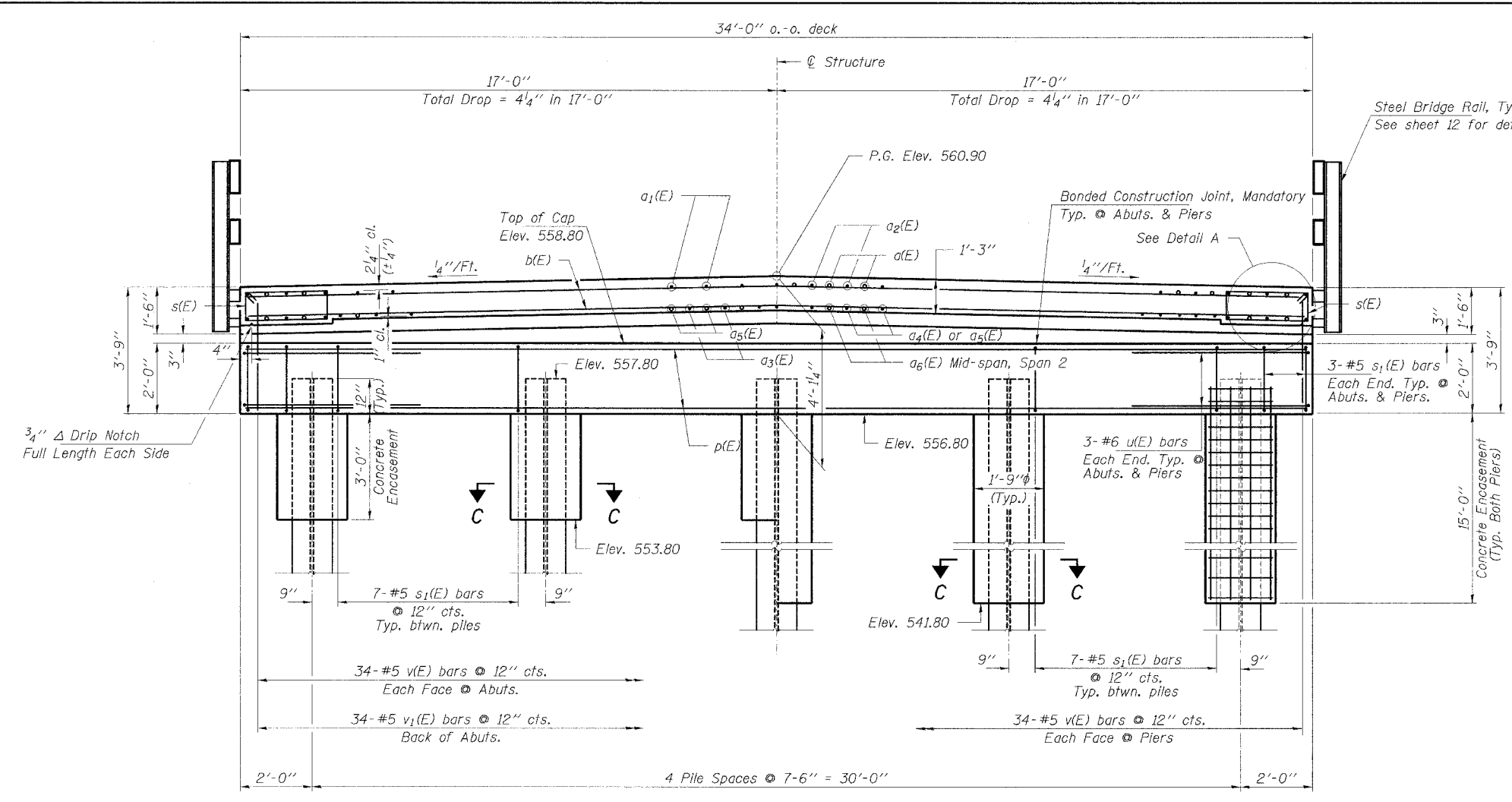
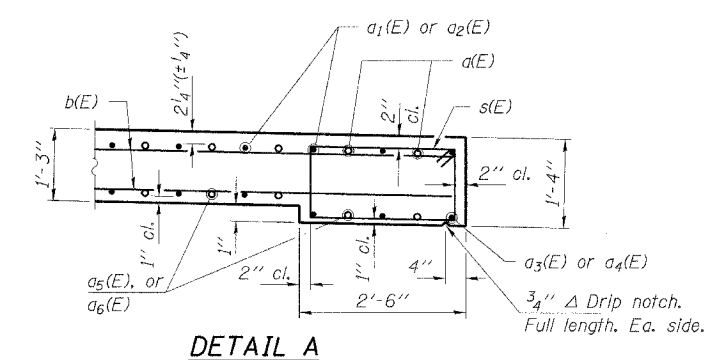


ROUTE NO.	SECTION	COUNTY	SHEET NO.	TOTAL SHEETS
F.A.S. 1464	03-00028-03-BR	TAZEWELL	15	11
FED. ROAD DIST. NO.	ALLIANCE	FED. AID PROJECT-		

CONTRACT NO. 89346

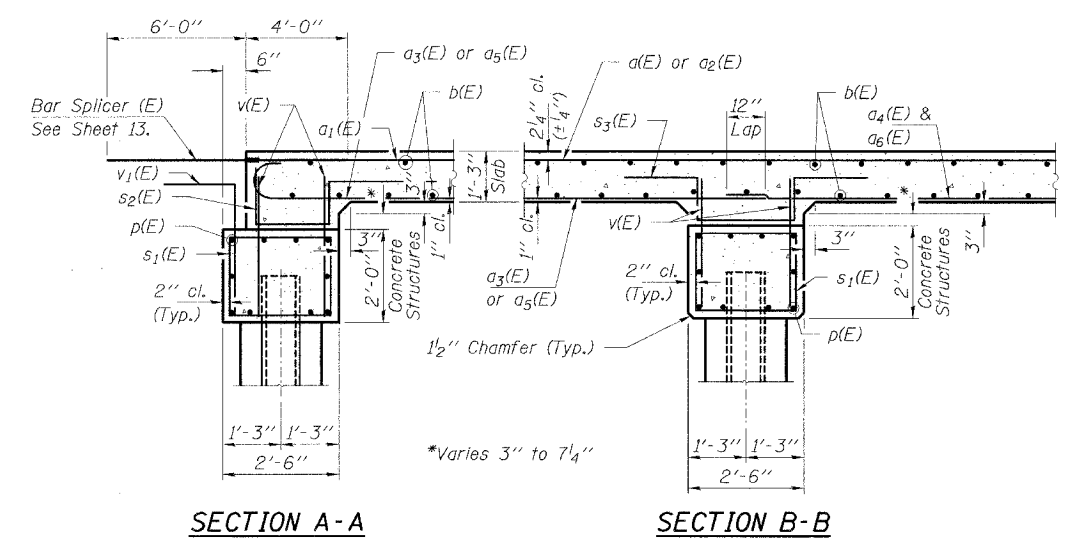


Steel Bridge Rail, Type SM
See sheet 12 for details.



HALF SECTION AT ABUTMENTS
(Looking North)

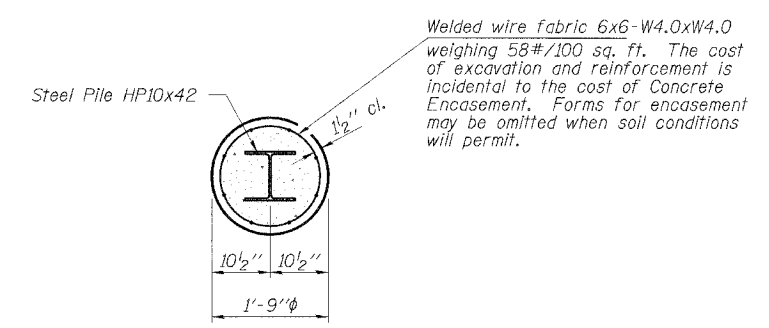
HALF SECTION AT PIERS
(Looking North)



SECTION A-A

SECTION B-B

Note: Project v(E) and v1(E) bars 1'-0" above bonded construction joint.



SECTION C-C

PILE DATA

Type	Steel Piles HP10x42
No. Req'd.	*20
Design Capacity	38 Tons/Pile @ Abuts. 49 Tons/Pile @ Piers
Required Bearing Capacity	57 Tons @ Abuts. 71 Tons @ Piers
Est. Lengths	40 Ft/Pile @ Abuts. 45 Ft/Pile @ Piers

* Includes two test piles to be driven in permanent locations, one at the North Abutment and one at Pier 1.

HLR
Rice, Berry and Associates
A Division of Hamon,
Lenzini and Renwick, Inc.
Civil & Structural Engineers
801 S. Durkin Drive
Springfield, Illinois 62704
217-546-3400
P.O. Box 1036
DuQuoin, Illinois 62832
618-190-4637
Account Number
12-91-0012-1
Date: 07/08/04
DESIGNED: T.P.L. CHECKED: S.W.M. DRAWN: D.B.

SUPERSTRUCTURE DETAILS
F.A.S. 1464 / C.H. 2 / DELAVAN ROAD
SECTION 03-00028-03-BR
TAZEWELL COUNTY
STR. NO. 090-3241 / STATION 10+00