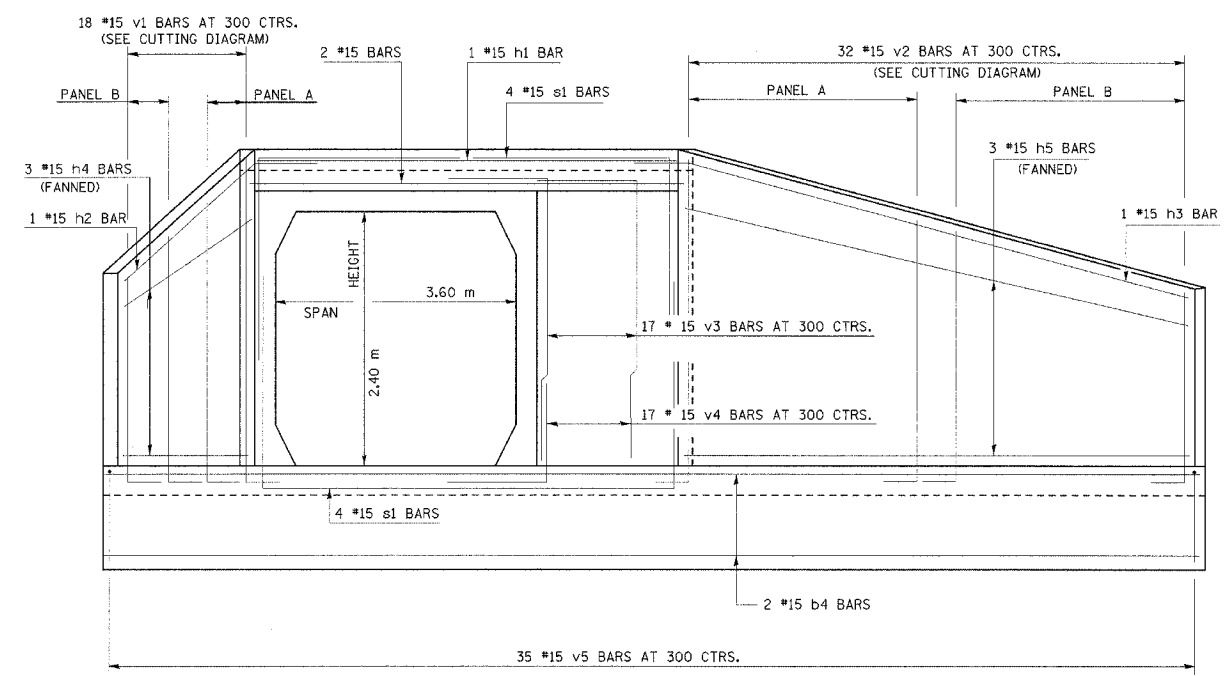
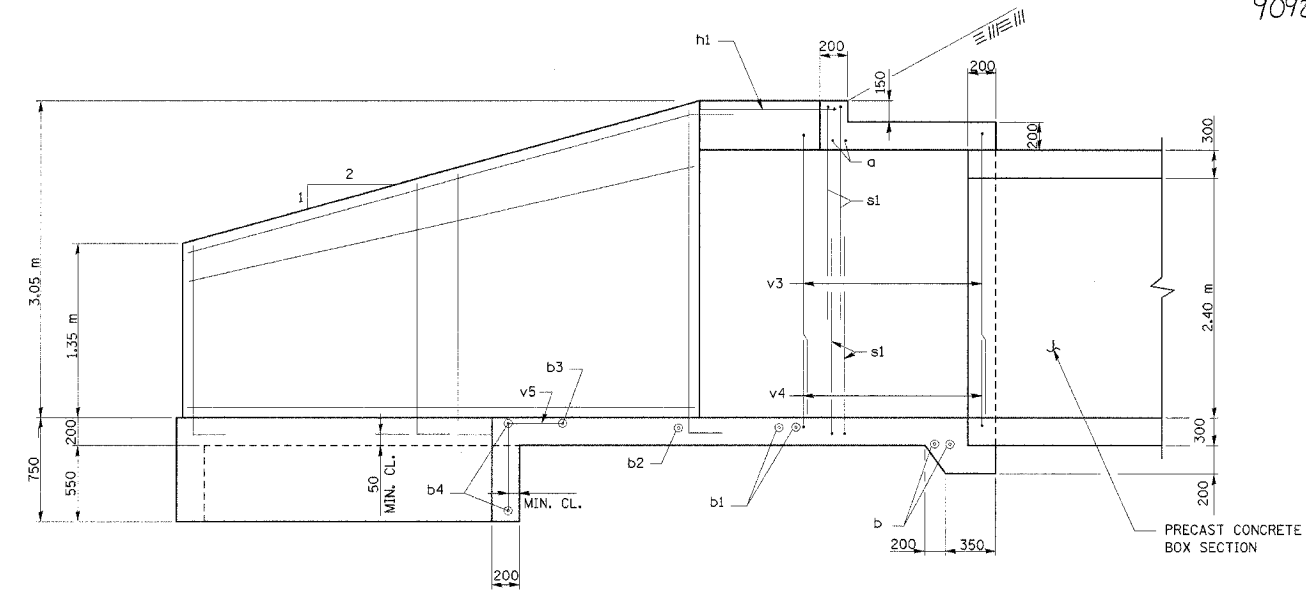


F.A.P. RTE.	SECTION	COUNTY	TOTAL SHEETS	SHEET NO.
828	12BR-2	CUMBERLAND	32	23
STA.		TO STA.		
FED. ROAD DIST. NO. 5		ILLINOIS FED. AID PROJECT		

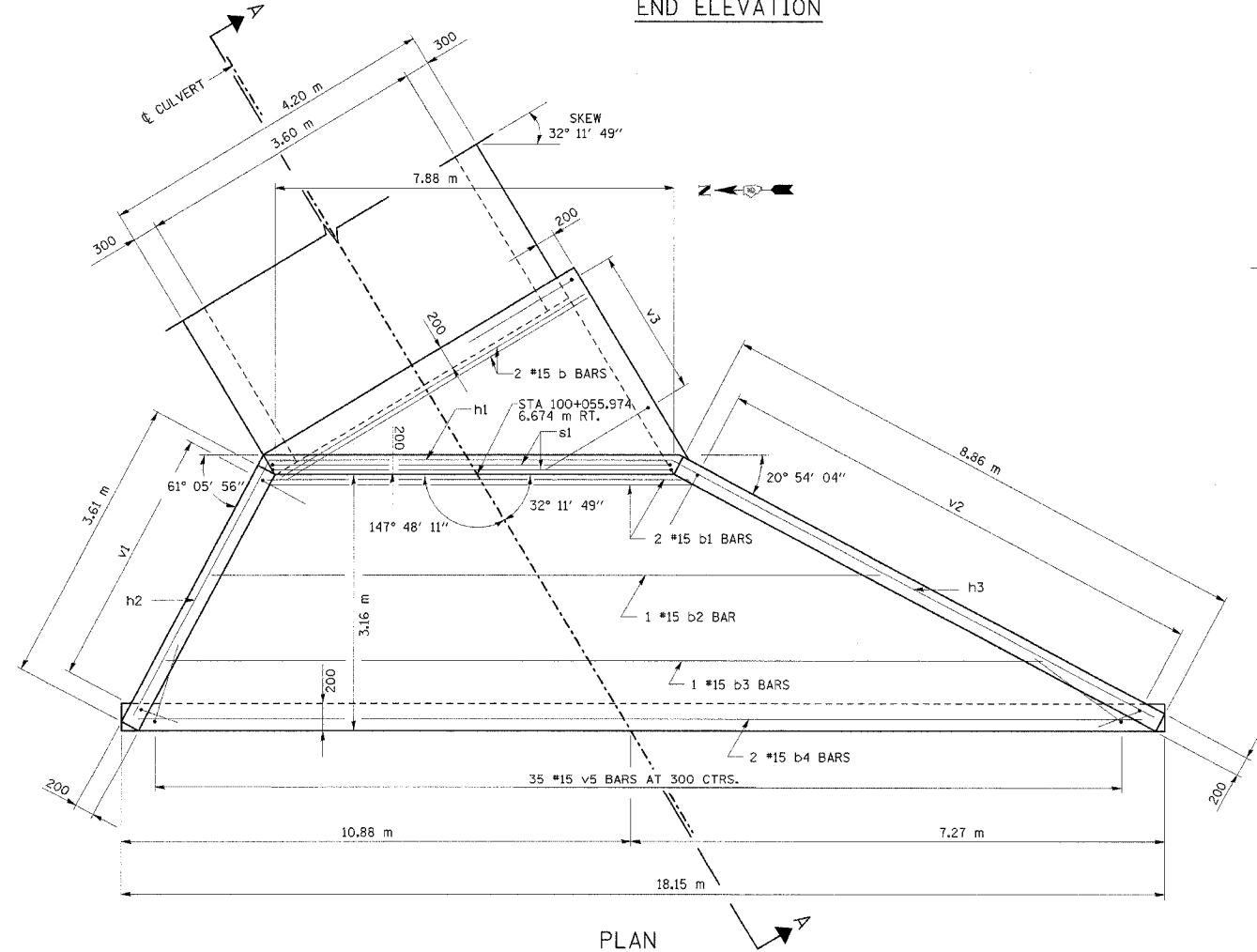
90920



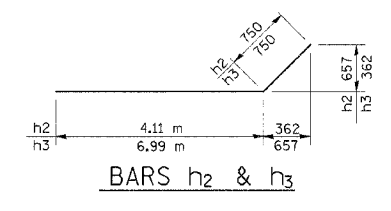
END ELEVATION



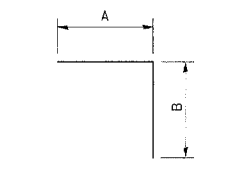
SECTION A-A



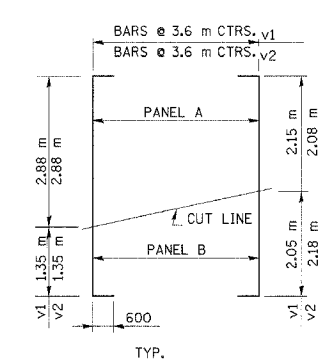
PLAN



BARS h2 & h3



BAR s1



CUTTING DIAGRAM BARS v1 & v2

BAR	A	B
v3	2.05 m	2.75 m
v4	2.05 m	750
v5	1.45 m	650

NOTES:  
 CLASS SI CONCRETE SHALL BE USED THROUGHOUT.  
 EXPOSED EDGES SHALL BE BEVELED 20 mm.  
 REINFORCEMENT BARS SHALL CONFORM TO THE REQUIREMENTS OF AASHTO M-31, M-42, M-53, GRADE 60.

BILL OF MATERIAL

BAR	NO.	SIZE	LENGTH	SHAPE
a	2	(#5) #15	5.34 m	—
b	2	(#5) #15	4.86 m	—
b1	2	(#5) #15	5.06 m	—
b2	1	(#4) #15	7.45 m	—
b3	1	(#4) #15	9.95 m	—
b4	2	(#4) #15	12.33 m	—
h1	1	(#5) #15	15.48 m	—
h2	1	(#5) #15	4.47 m	—
h3	1	(#5) #15	7.65 m	—
h4	3	(#4) #15	3.61 m	—
h5	3	(#4) #15	6.54 m	—
v1	9	(#5) #15	4.13 m	—
v2	16	(#5) #15	4.13 m	—
v3	17	(#5) #15	4.83 m	—
v4	17	(#5) #15	2.80 m	—
v5	35	(#4) #15	2.10 m	—
s1	4	(#4) #15	7.63 m	—
CLASS SI CONC. HDWL.			CUBIC METER	28.0
REINF. BARS			kg	630

NOTES:  
 TABLE FOR ONE (1) HEADWALL ONLY.  
 BAR DIMENSIONS ARE OUT TO OUT.

REVISIONS	
NAME	DATE

ILLINOIS DEPARTMENT OF TRANSPORTATION  
 BOX CULVERT  
 END SECTION DETAIL  
 MONTROSE ROAD (RT)  
 FAP 828 (MONTROSE RD.),  
 CUMBERLAND COUNTY  
 DRAWN BY BANDY  
 CHECKED BY STEUART  
 DATE