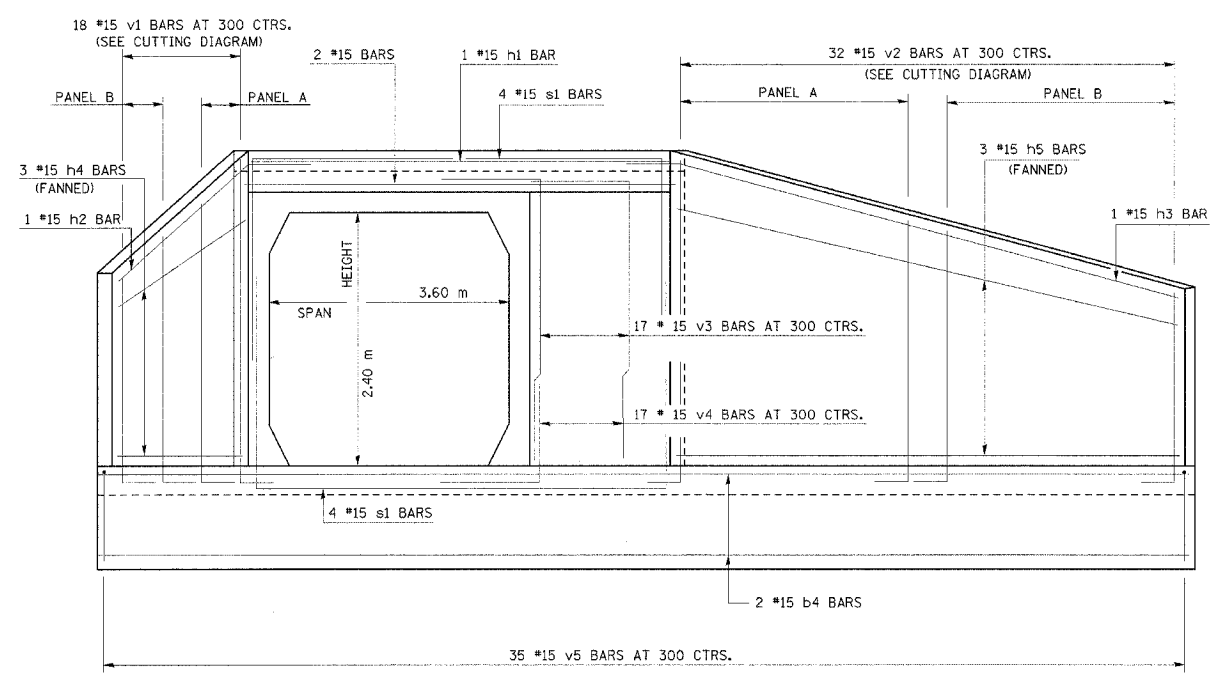
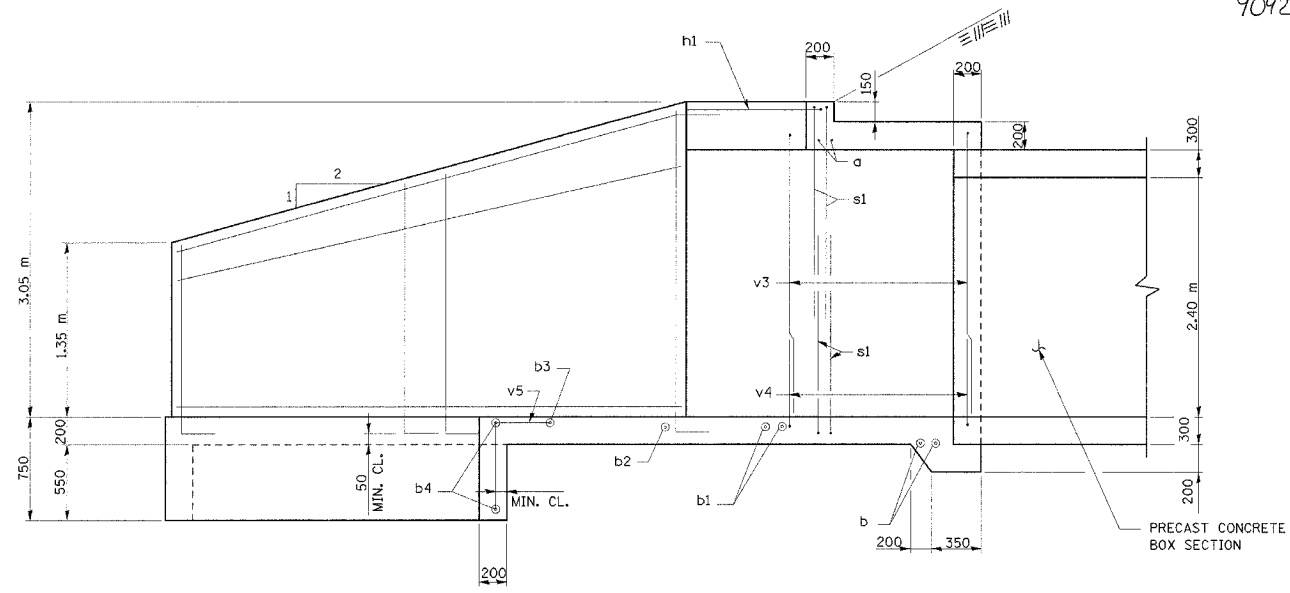


F.A.P. RTE.	SECTION	COUNTY	TOTAL SHEETS	SHEET NO.
828	12BR-2	CUMBERLAND	32	24
STA.	TO STA.			
FED. ROAD DIST. NO. 5			ILLINOIS FED. AID PROJECT	

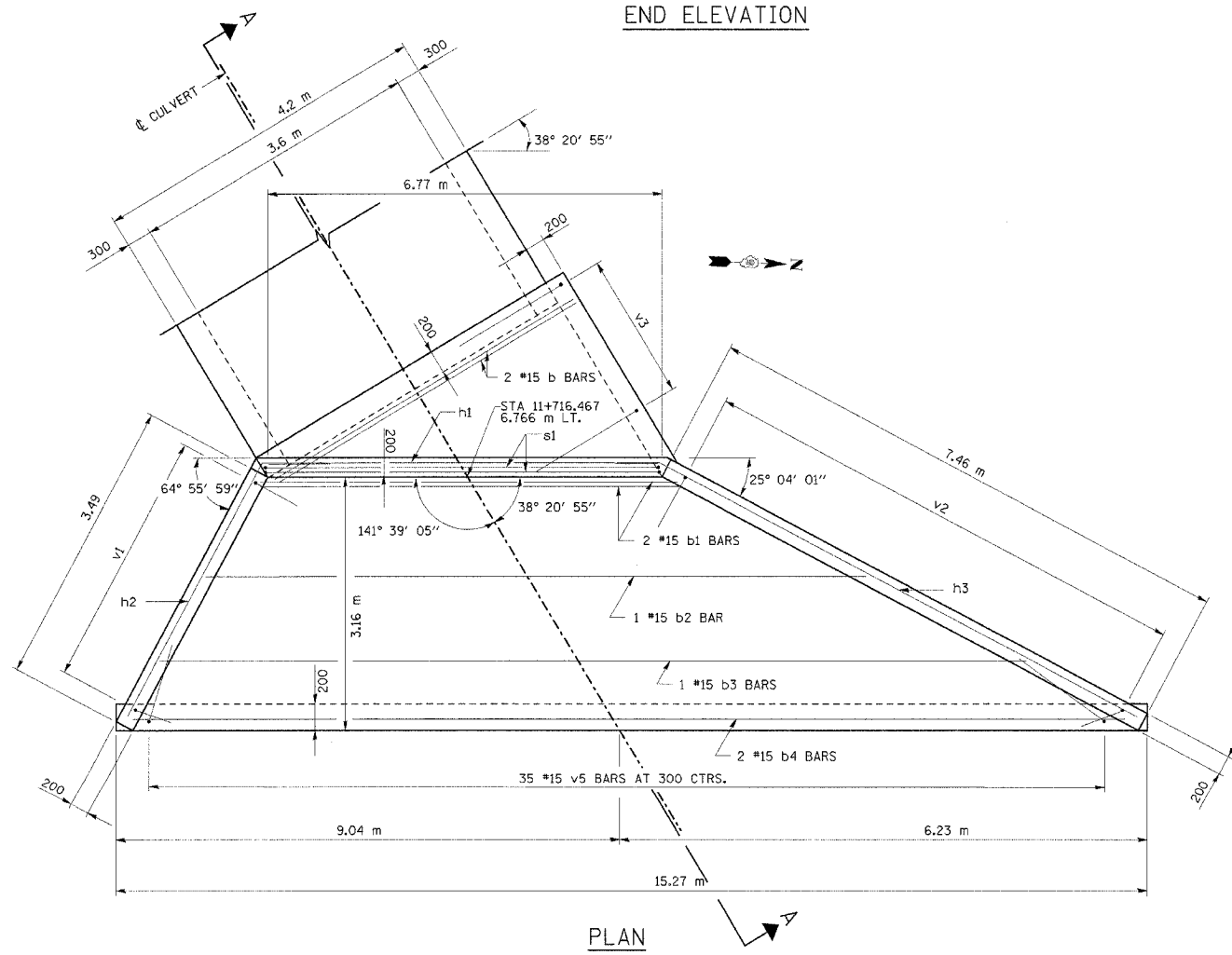
90920



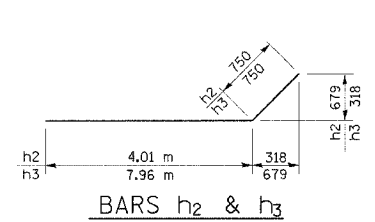
END ELEVATION



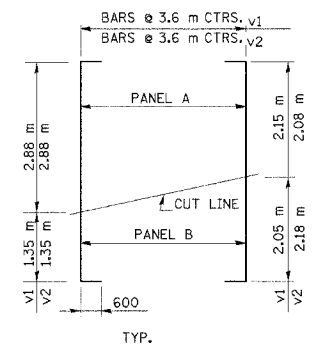
SECTION A-A



PLAN



BARS h2 & h3



CUTTING DIAGRAM BARS v1 & v2

BAR	A	B
v3	2.05 m	2.75 m
v4	2.05 m	750
v5	1.45 m	650

NOTES:  
 CLASS SI CONCRETE SHALL BE USED THROUGHOUT.  
 EXPOSED EDGES SHALL BE BEVELED 20 mm.  
 REINFORCEMENT BARS SHALL CONFORM TO THE REQUIREMENTS OF AASHTO M-31, M-42, M-53, GRADE 60.

ALL DIMENSIONS ARE IN MILLIMETERS UNLESS OTHERWISE NOTED.

BILL OF MATERIAL

BAR NO.	SIZE	LENGTH	SHAPE
a	2 (#5) #15	5.89 m	
b	2 (#5) #15	5.37 m	
b1	2 (#5) #15	5.57 m	
b2	1 (#4) #15	8.21 m	
b3	1 (#4) #15	10.97 m	
b4	2 (#4) #15	13.61 m	
h1	1 (#5) #15	16.84 m	
h2	1 (#5) #15	4.33 m	
h3	1 (#5) #15	8.64 m	
h4	3 (#4) #15	3.49 m	
h5	3 (#4) #15	7.46 m	
v1	9 (#5) #15	4.13 m	
v2	16 (#5) #15	4.13 m	
v3	17 (#5) #15	4.83 m	
v4	17 (#5) #15	2.80 m	
v5	35 (#4) #15	2.10 m	
s1	4 (#4) #15	8.14 m	
CLASS SI CONC. HDWL.		CUBIC METER	30.0
REINF. BARS		KG	645

NOTES:  
 TABLE FOR ONE (1) HEADWALL ONLY.  
 BAR DIMENSIONS ARE OUT TO OUT.

REVISIONS	
NAME	DATE

ILLINOIS DEPARTMENT OF TRANSPORTATION  
**BOX CULVERT  
 END SECTION DETAIL**  
 ILLINOIS ROUTE 121  
 FAP 828 (MONTROSE RD.),  
 CUMBERLAND COUNTY  
 DRAWN BY BANDY  
 CHECKED BY STEUART  
 DATE