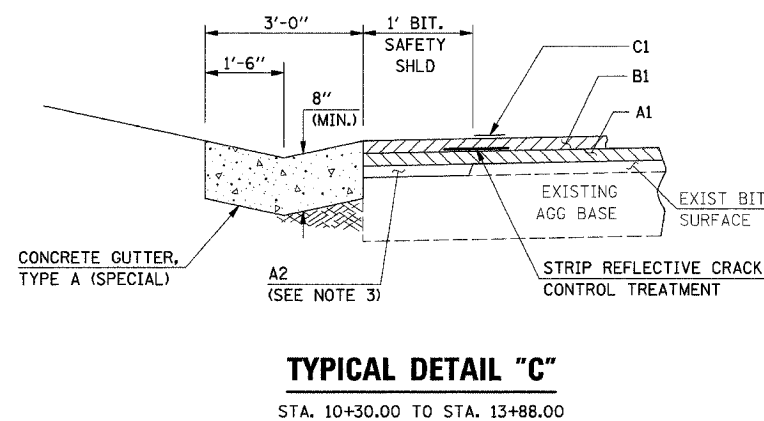
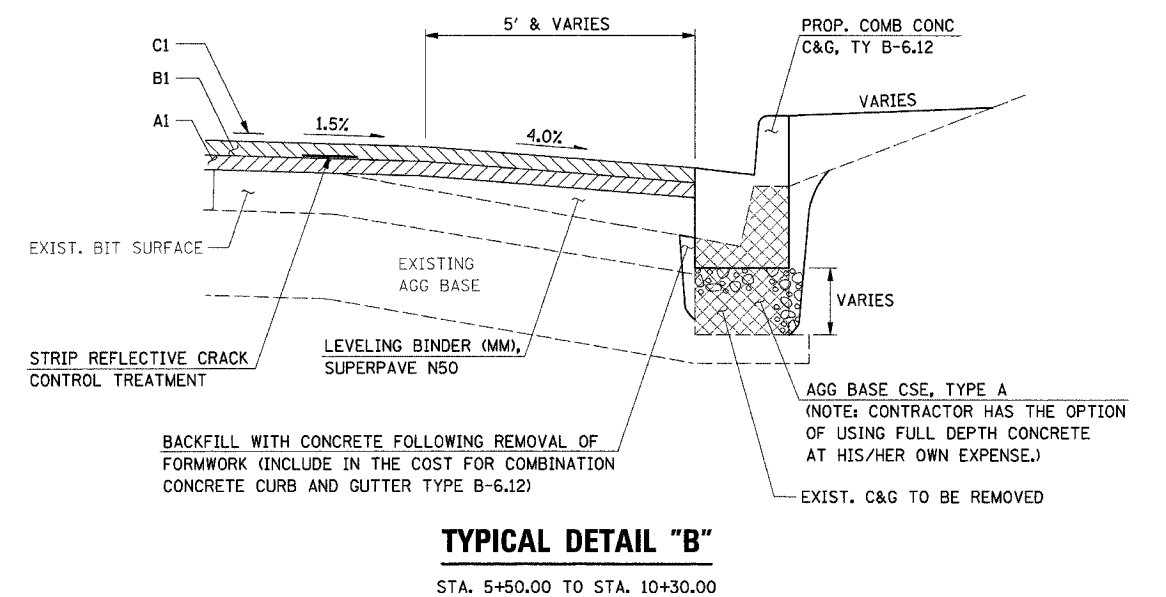
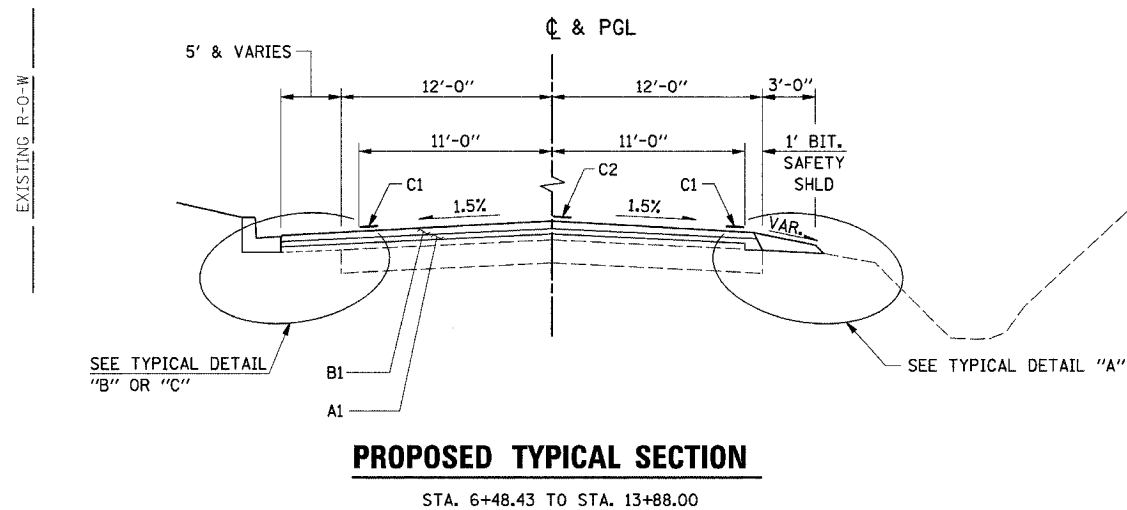
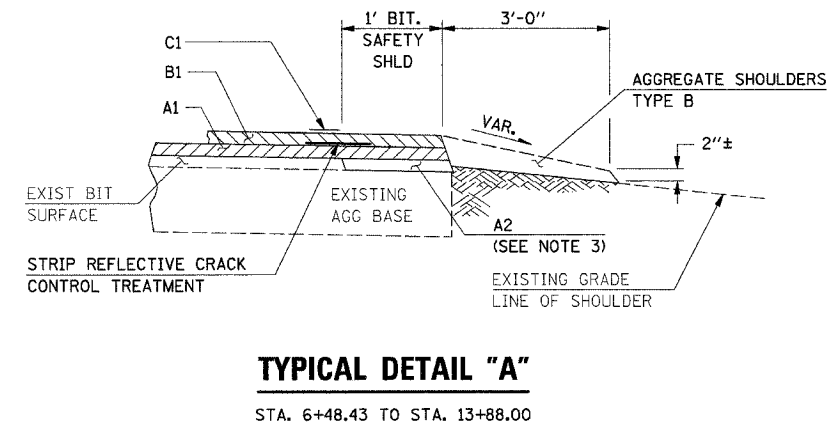
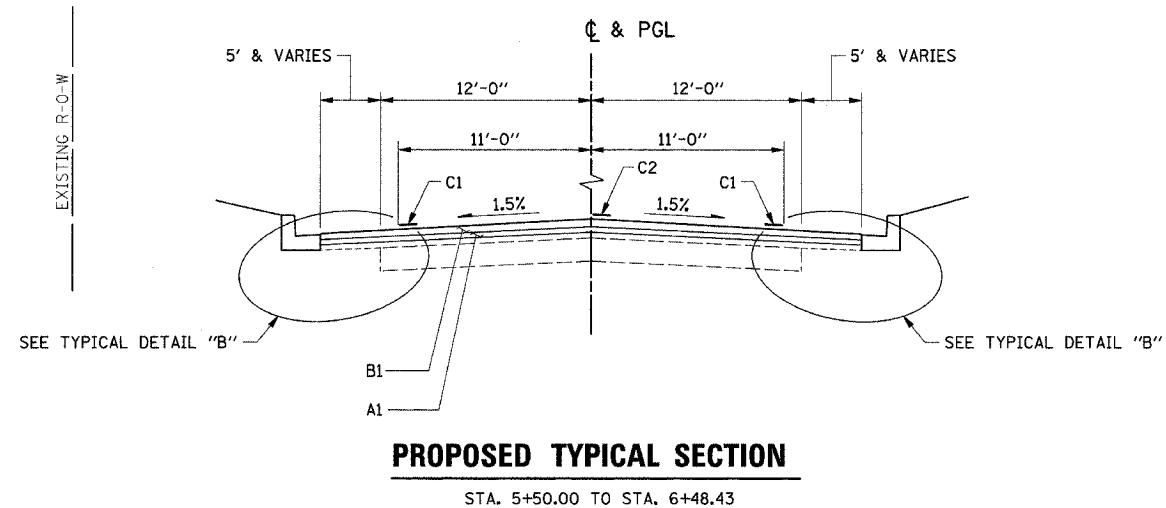


F.A.S. RTE.	SECTION	COUNTY	TOTAL SHEETS	SHEET NO.
601	(*)	PIKE	51	10
STA.		TO STA.		
FED. ROAD DIST. NO.	ILLINOIS	FED. AID PROJECT		
(*) 02-00077-00-RS				



LEGEND				
	MATERIAL	DEPTH	1	2
A	BIT. CONC. BINDER CSE., SUPERPAVE, N50		1/2"	1/4"
B	BIT. CONC. SURFACE CSE., SUPERPAVE, "MIX. C", N50		1/2"	--
C	PAINT PAVEMENT MARKING - LINE 5"		WHITE	YELLOW (SEE NOTE 2)

NOTES:

1. SEE "INTERSECTION DETAIL" FOR PAVEMENT ELEVATIONS STA. 4+90.00 TO STA. 5+50.00
2. SEE "PLAN AND PROFILE" DRAWINGS FOR PASSING ZONE LOCATIONS.
3. BLADE OFF EXISTING AGGREGATE SHOULDER, CLEAN AND APPLY BITUMINOUS MATERIALS (PRIME COAT) PRIOR TO BINDER COURSE PLACEMENT. (INCLUDE IN THE COST FOR "BIT. CONC. BINDER CSE., SUPERPAVE, N50")

	INTERNATIONAL ENGINEERING CONSULTANTS, INC. 6420 SOUTH SIXTH STREET SPRINGFIELD, ILLINOIS 62707 TEL: (217) 529-8027 FAX: (217) 529-4543 IESPRINGFIELD@IE-CONSULTANTS.COM WWW.IE-CONSULTANTS.COM			
	TYPICAL SECTIONS			
DRAWN BY:	CHECKED BY:	DATE:	PROJECT:	
RG	CMS	8-23-04	S03012	