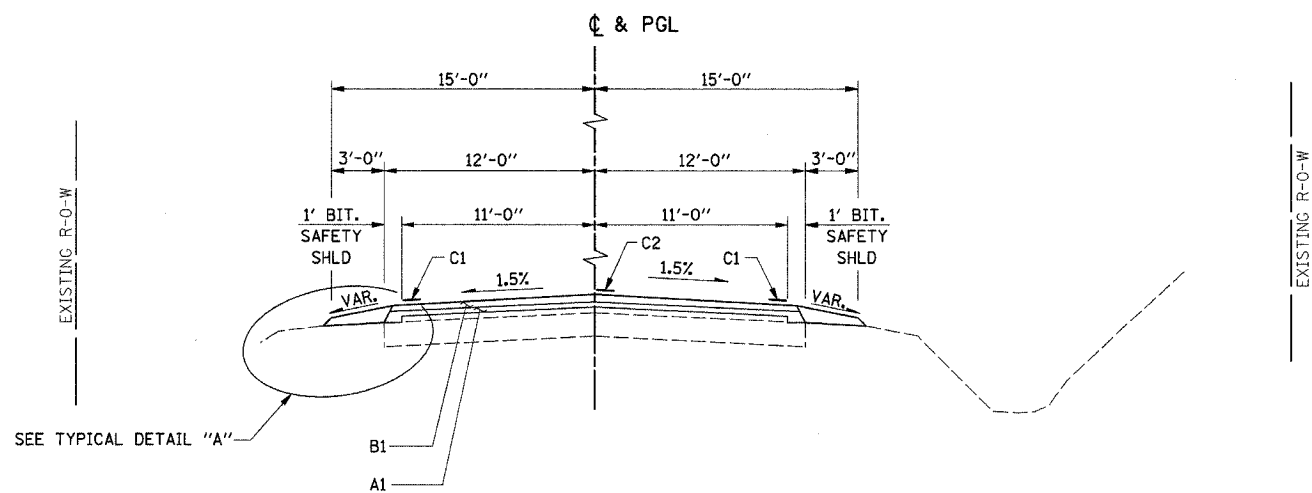


F.A.S. RTE.	SECTION	COUNTY	TOTAL SHEETS	SHEET NO.
601	(*)	PIKE	51	11
STA.		TO STA.		
FED. ROAD DIST. NO.	ILLINOIS	FED. AID PROJECT		

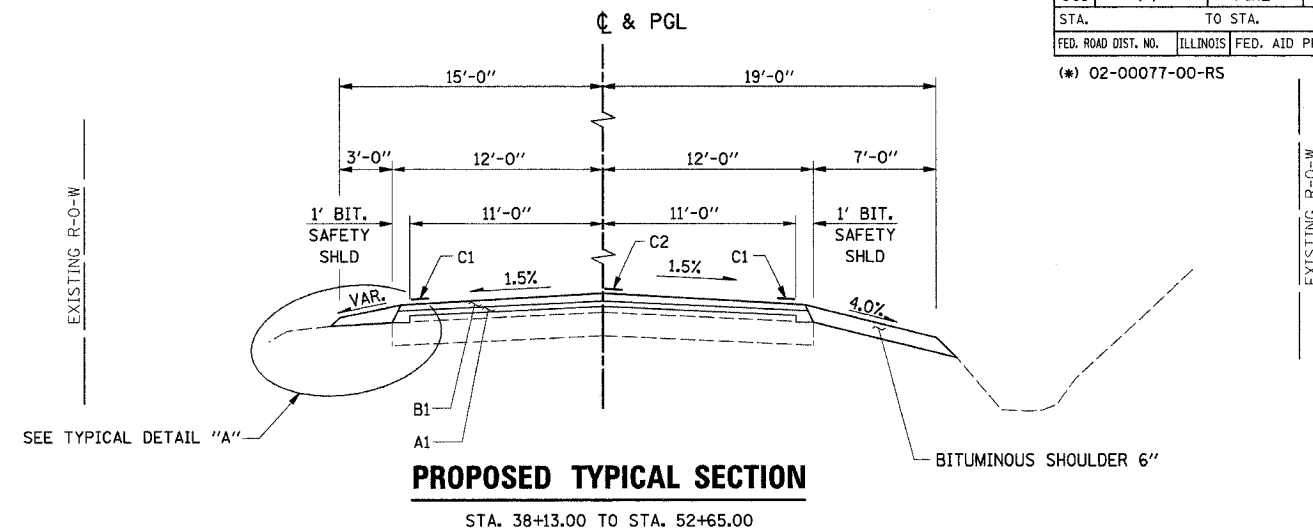
(*) 02-00077-00-RS



PROPOSED TYPICAL SECTION

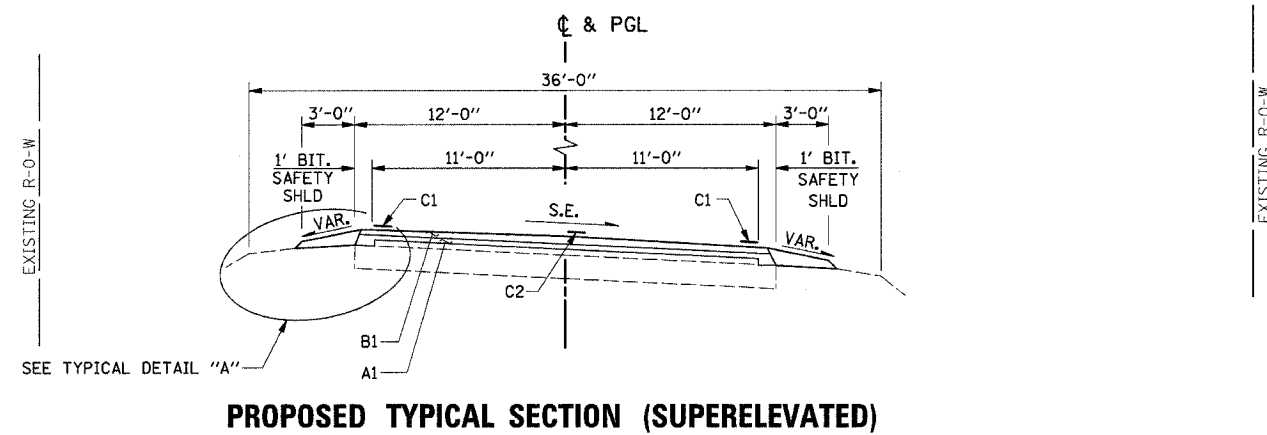
STA. 13+88.00 TO STA. 30+09.82
 (RESURFACING OMISSION STA. 31+62.86 TO STA. 33+17.94)
 STA. 34+83.61 TO STA. 38+13.00
 STA. 52+65.00 TO STA. 77+18.92
 STA. 94+70.67 TO STA. 98+29.37
 STA. 116+55.22 TO STA. 132+89.14
 (FOR STA. 132+87.90 TO STA. 134+51.44 SEE BRIDGE PLANS)
 STA. 134+50.44 TO STA. 172+54.35
 STA. 192+70.71 TO STA. 223+50.00
 STA. 241+76.12 TO STA. 243+51.14

LEGEND				
MATERIAL	DEPTH	1	2	
A	BIT CONC BINDER CSE., SUPERPAVE, N50	1/2"	1/4"	
B	BIT CONC SURFACE CSE., SUPERPAVE, "MIX C", N50	1/2"	--	
C	PAINT PAVEMENT MARKING - LINE 5"	WHITE	YELLOW (SEE NOTE 2)	



PROPOSED TYPICAL SECTION

STA. 38+13.00 TO STA. 52+65.00

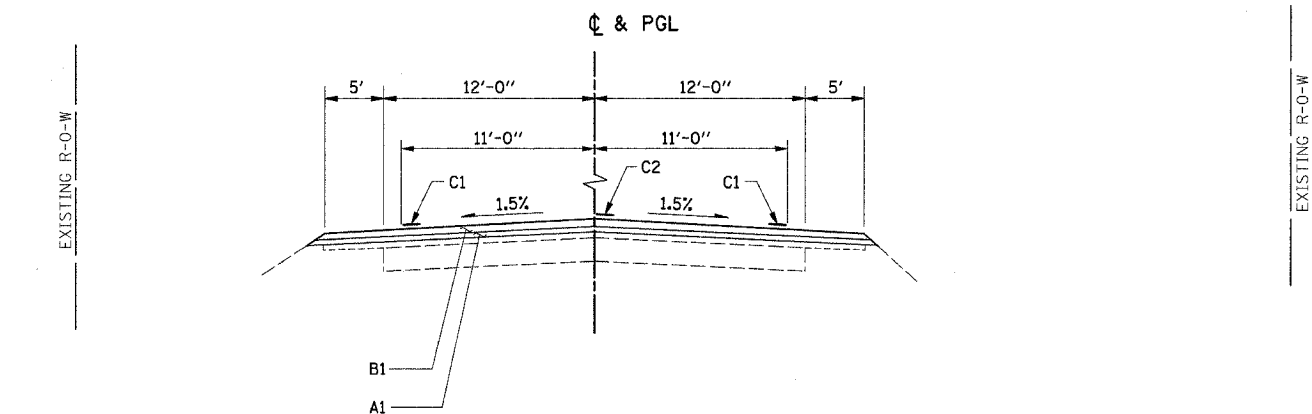


PROPOSED TYPICAL SECTION (SUPERELEVATED)

(SEE "SUPERELEVATION DETAILS" FOR LOCATIONS AND INFORMATION)
 STA. 77+18.92 TO STA. 94+70.67 (CURVE 3)
 STA. 98+29.37 TO STA. 116+55.22 (CURVE 4)
 STA. 172+54.35 TO STA. 192+70.71 (CURVE 7)
 STA. 223+50.00 TO STA. 241+76.12 (CURVE 8)

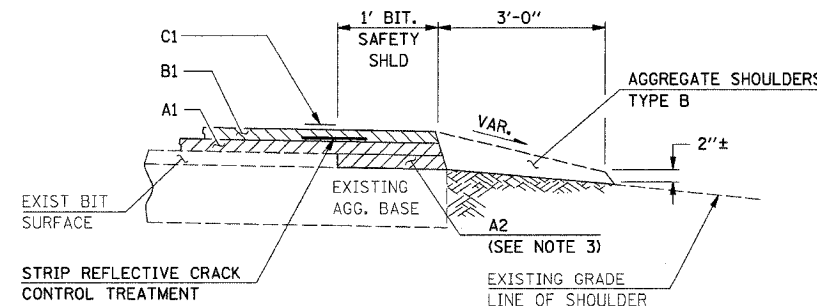
NOTES:

- MAX. ROLLOVER IN SUPERELEVATED AREA IS 8%
- SEE "PLAN AND PROFILE" DRAWINGS FOR PASSING ZONE LOCATIONS.
- BLADE OFF EXISTING AGGREGATE SHOULDER; CLEAN AND APPLY BITUMINOUS MATERIALS (PRIME COAT) PRIOR TO BINDER COURSE PLACEMENT. (INCLUDED IN THE COST FOR "BIT. CONC. BINDER CSE., SUPERPAVE, N50")



PROPOSED TYPICAL SECTION

STA. 30+09.82 TO STA. 31+62.86
 STA. 33+17.94 TO STA. 34+83.61



TYPICAL DETAIL "A"

ie INTERNATIONAL ENGINEERING CONSULTANTS, INC.
 6420 SOUTH SIXTH STREET
 SPRINGFIELD, ILLINOIS 62707
 TEL. (217) 829-8027
 FAX (217) 829-4543
 IESPRINGFIELD@IE-CONSULTANTS.COM
 WWW.IE-CONSULTANTS.COM

TYPICAL SECTIONS

DRAWN BY:	CHECKED BY:	DATE:	PROJECT:
RG	CMS	12-10-03	S03012

FILE: G:\NS03012\CADD\3012\TS02.DGN 12/10/03 11:06:14 AM