

STRUCTURAL DESIGN DATA
F.A.S. ROUTE 735

CLASS III ROAD
DESIGN PERIOD = 20 YEARS
DESIGN VEHICLE = 80,000 POUND TRUCKS
2002 ADT = 1350
2012 ADT = 1500 (SDT)
2022 ADT = 1850

PV (88%) = 1320
SU (7%) = 105
MU (5%) = 75

SOIL SUPPORT IBR = 3 (ASSUMED)

T.F. = 0.405

Dt = 3.65 REQUIRED

SUB-BASE, GRANULAR MATERIAL, TYPE A $4" \times 0.14 = 0.56$

BITUMINOUS BASE COURSE (MIN. M.S. = 1500) $7" \times 0.30 = 2.10$

BITUMINOUS CONCRETE BINDER $1-1/2" \times 0.40 = 0.60$

BITUMINOUS CONCRETE SURFACE $1-1/2" \times 0.40 = 0.60$

Dt PROVIDED = 3.86

COMMENTS: BITUMINOUS PAVEMENT (STA. 2+512 TO STA. 7+195)
TO BE CONSTRUCTED WITH FUTURE STAGE 2 PROJECT.

PROJECT
RS-735 (111)

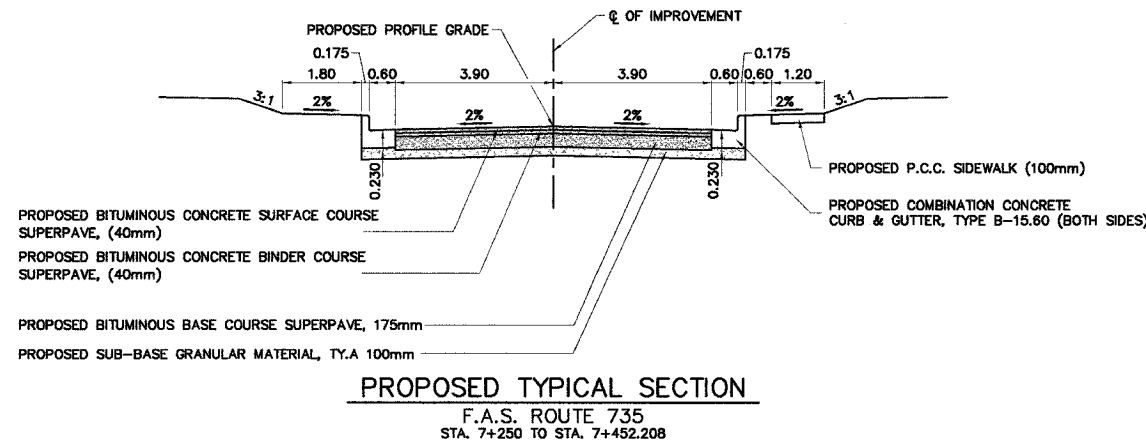
REVISIONS

Sheppard Morgan & Schwaab, Inc.
CONSULTING ENGINEERS & LAND SURVEYORS
10 Central Industrial Dr
Granite City, IL 62040
618/787-9700



MACOUPIN COUNTY, ILLINOIS
SECTION 92-00068-01-FP
FAS ROUTE 735 (SHIPMAN ROAD)
TYPICAL SECTIONS

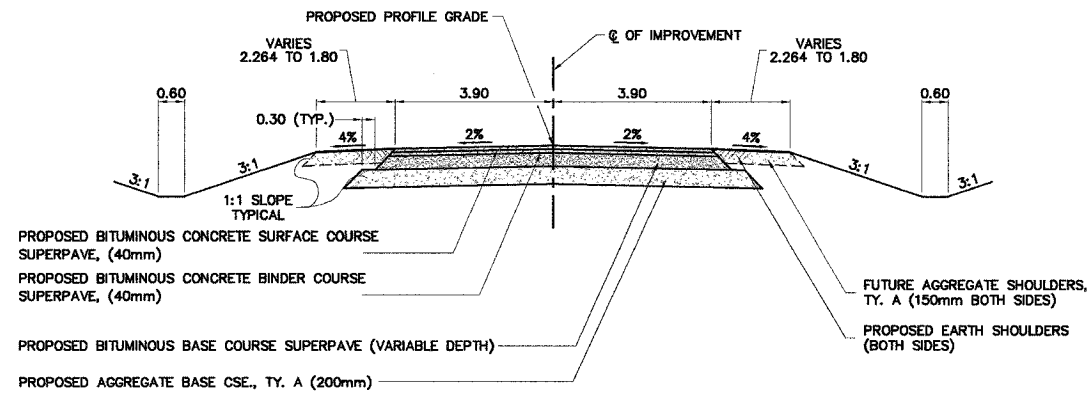
PHASE II
DWG. NO. 735 TYP S1 DWG ACAD
CADD FILE -
REF. BK. FAS RTE. 735
JOB NO. 455048
DSN. BY: DEG
DWN. BY: CAD
CHK. BY: DEG
DATE: OCTOBER, 2004
SCALE: NOT TO SCALE
SHEET 3 OF 58



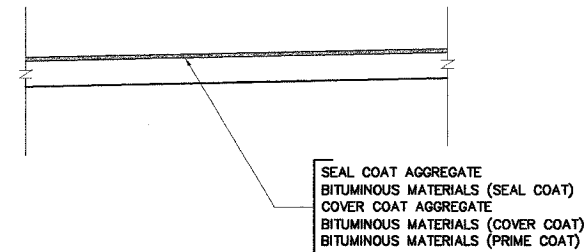
MIXTURE REQUIREMENTS

MIXTURE USE	SURFACE	BINDER
AC/PG	PG 64-22	PG 64-22
RAP % (MAX)	15%	20%
DESIGN AIR VOIDS	4.0 @ N design = 50	4.0 @ N design = 50
MIX COMPOSITION (GRADATION MIXTURE)	IL 9.5 or 12.5	IL 12.5
FRICITION AGG	MIX "C"	N/A

PLAN QUANTITIES OF BITUMINOUS CONCRETE ITEMS ARE BASED ON 59.8 kg/sq. m./25mm.

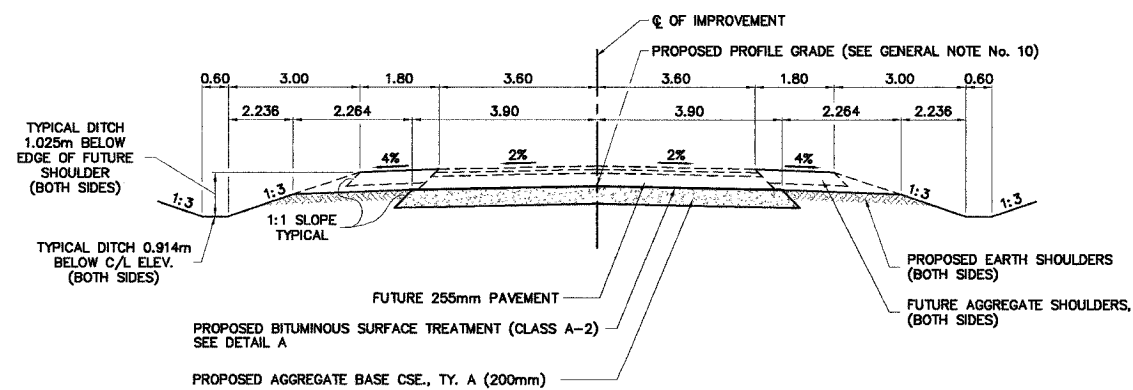


PROPOSED TYPICAL SECTION - TRANSITION
F.A.S. ROUTE 735
STA. 7+195 TO STA. 7+250

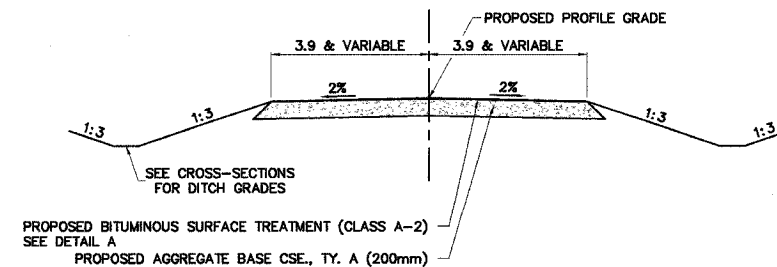


DETAIL A

PROPOSED BITUMINOUS SURFACE TREATMENT (CLASS A-2)



PROPOSED TYPICAL SECTION - TANGENT
F.A.S. ROUTE 735
STA. 2+512 TO STA. 7+195



PROPOSED TYPICAL SECTION - SIDE ROADS

NOTE: ALL DIMENSIONS ARE IN METERS EXCEPT AS NOTED.