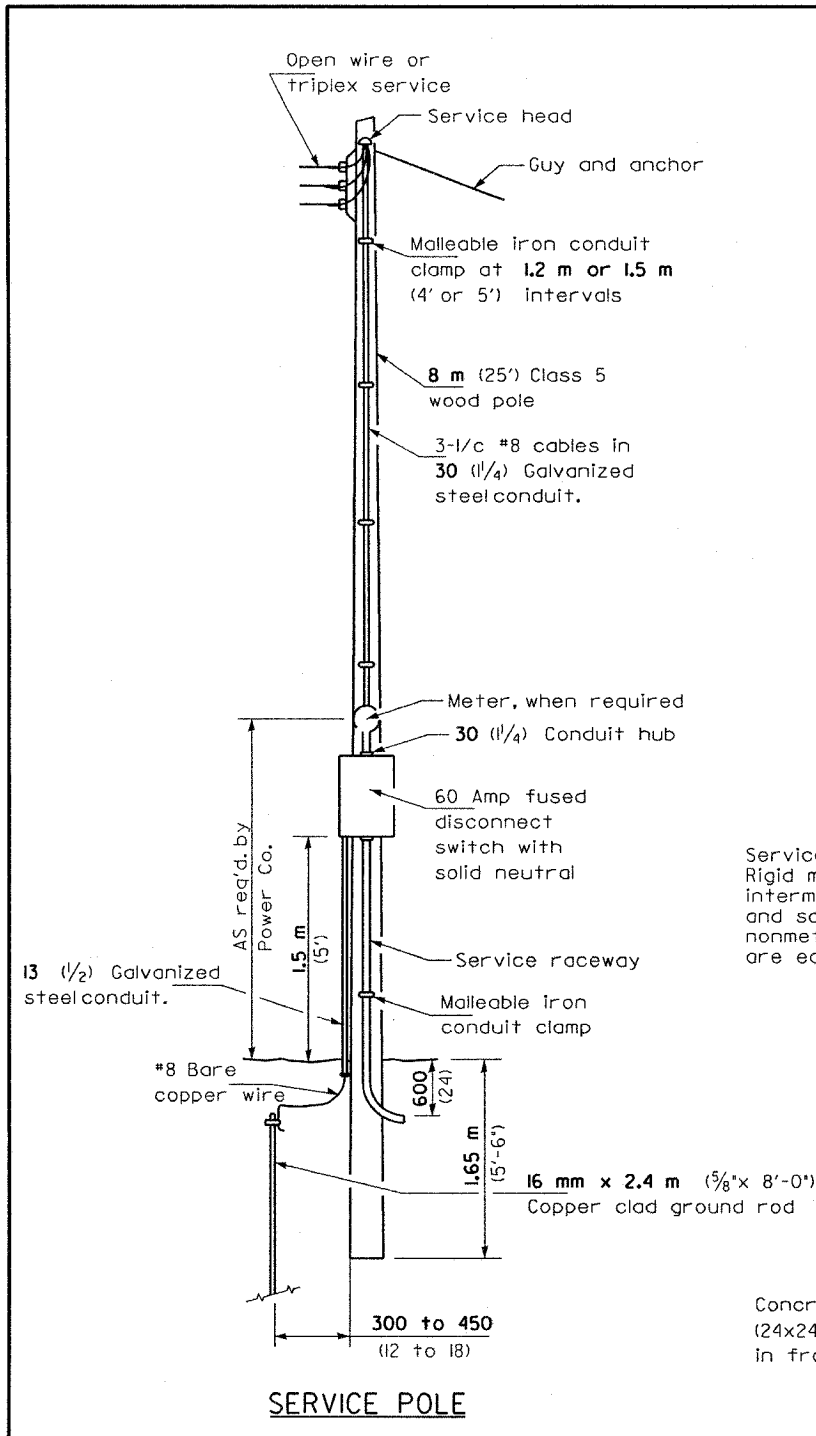


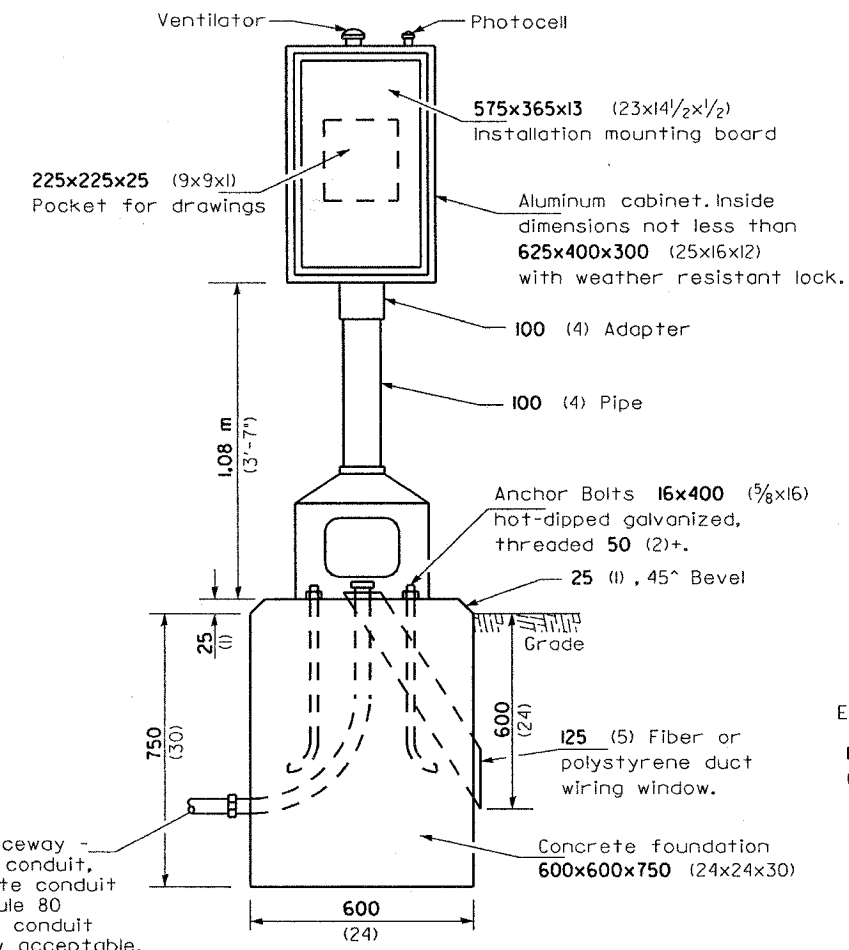
PLAN NO.	SHEET NO.	COUNTY	TOTAL SHEETS	SHEET NO.
FAP 774	*	EFFINGHAM	344	145 A.

*107WRS-1,107BY... CONTRACT NO. 94827

- A Selector switch
- B 2 Pole 60 amp contactor
- C 2 Pole 60 amp service disconnect
- D,E,F 2 Pole 30 amp breakers
- G Photocell w/integral surge arrester

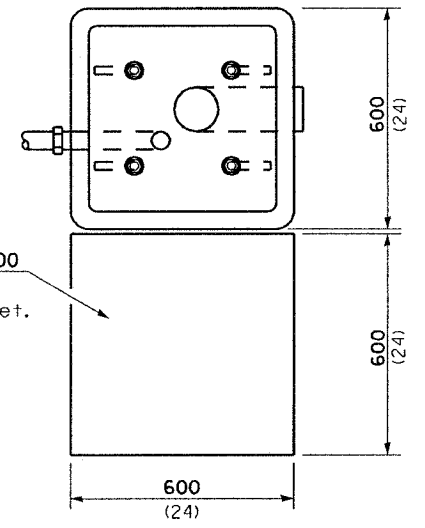


SERVICE POLE



CONTROL INSTALLATION

Front View

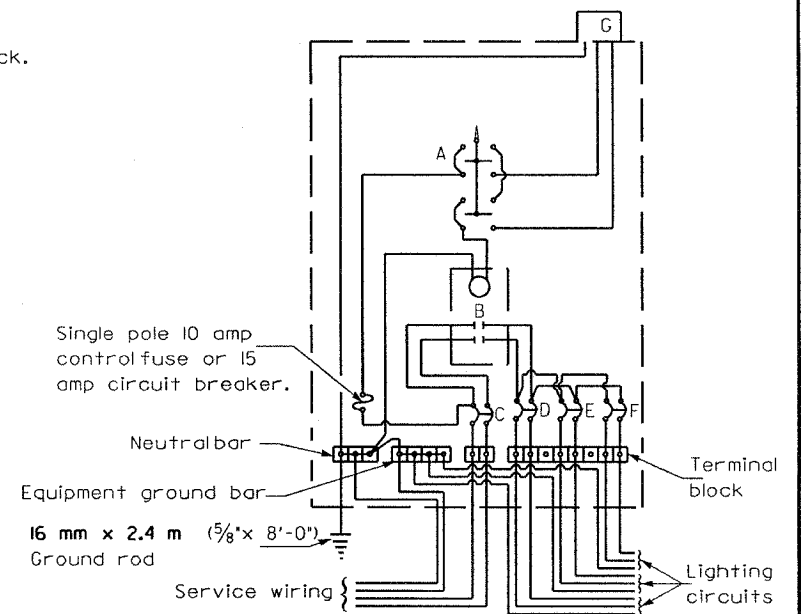


FOUNDATION

Top View

Service Raceway - Rigid metal conduit, intermediate conduit and schedule 80 nonmetallic conduit are equally acceptable.

Concrete pad 600x600x200 (24x24x8) to be placed in front of control cabinet.



WIRING DIAGRAM

GENERAL NOTES

Locate service pole and control installation adjacent to R.O.W. line with a minimum distance of 9 m (30') from the edge of pavement. Exact location shall be established by the Engineer.

The underground service entrance wiring shall not exceed 46 m (150'). Total aerial and underground service between the control installation and primary transformer shall not exceed 76 m (250').

For 480 V. systems, a 480/120 V. control transformer will be required.

Where soil conditions permit, and where approved by the Engineer, a 150 mm dia. x 1.5 m (6" dia. x 5'-0") long metal screw in foundation may be used in lieu of a concrete foundation.

All dimensions are in millimeters unless otherwise shown.

- 240 V. SERVICE
- 480 V. SERVICE

DATE	REVISIONS

CONTROL INSTALLATION
TYPE CB-RCS-60