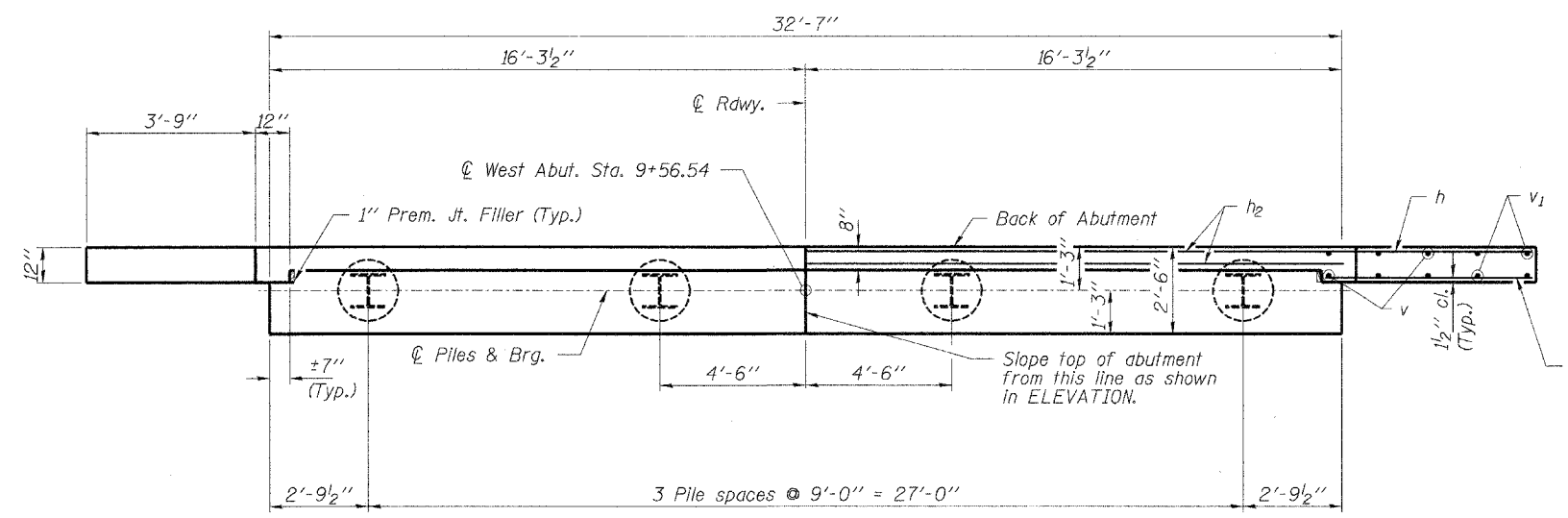
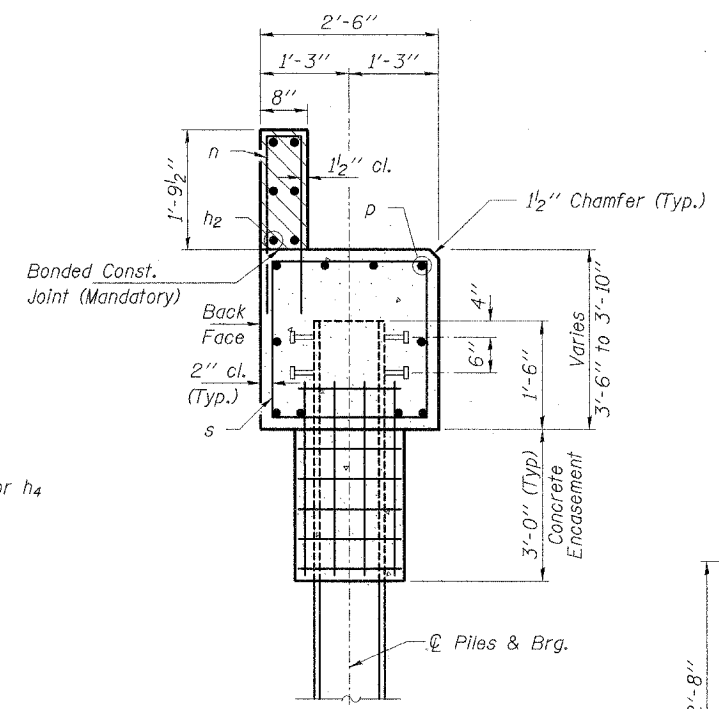


CONTRACT NO. 99203

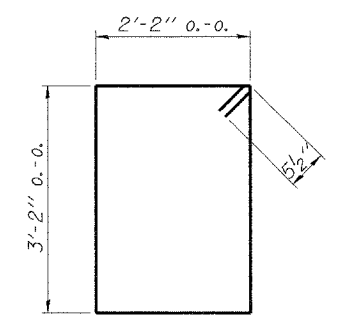


PLAN

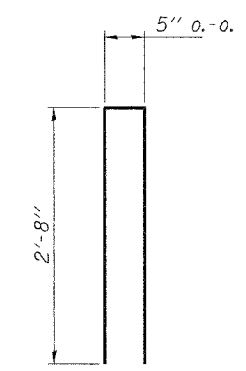


SECTION A-A

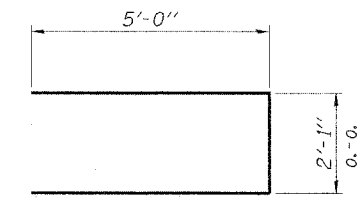
Hatched area to be poured after beams are in place.



BAR s

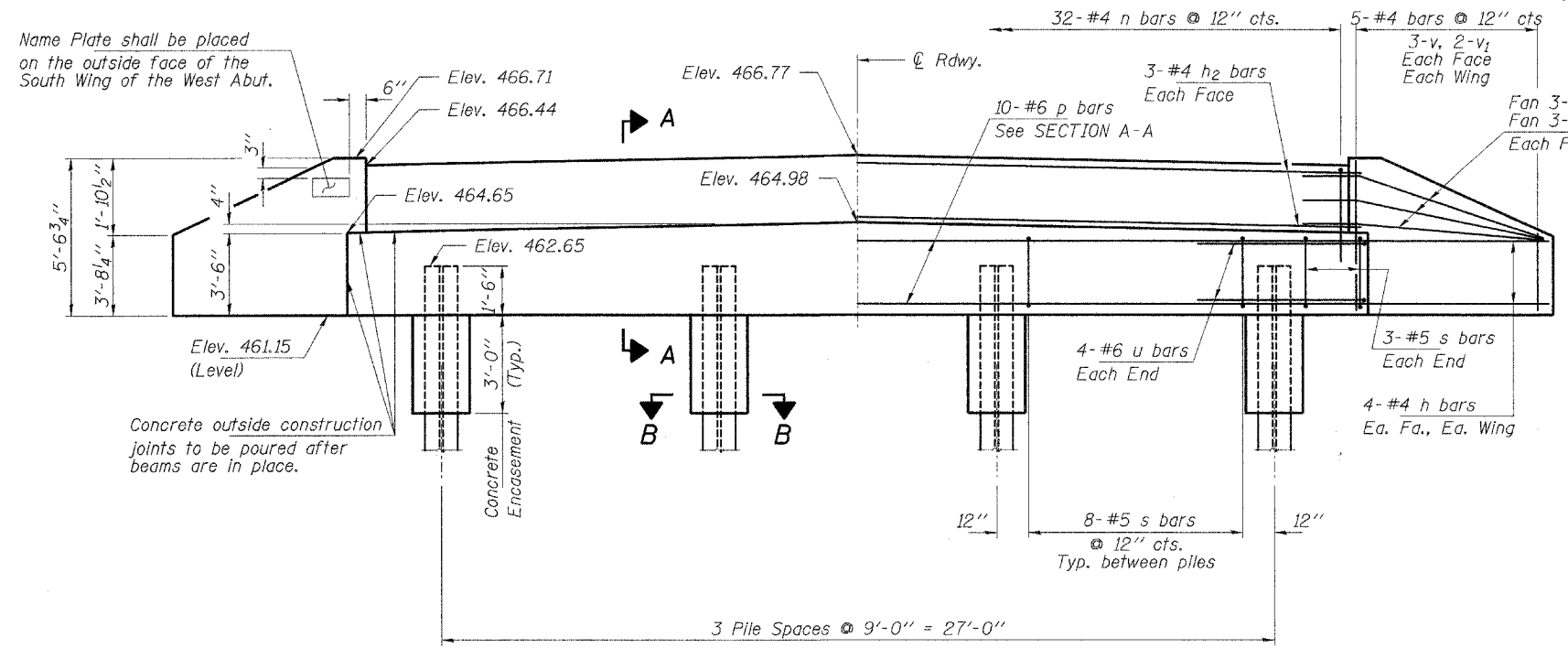


BAR n



BAR u

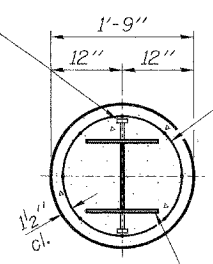
Name Plate shall be placed on the outside face of the South Wing of the West Abut.



ELEVATION
(Looking West)

2-3/4" dia Granular or solid flux filled headed studs, automatically end welded to each flange. (4-Typ. each pile)

Note: Extend h bars into abut. cap.



SECTION B-B

Welded Wire Fabric 6x6-W4.0 x W4.0 weighing 58#/100 sq. ft. The cost of Excavation and Reinforcement is incidental to the cost of Concrete Encasement. Forms for Encasement may be omitted when soil conditions will permit.

Steel Pile HP 10x42

BILL OF MATERIAL - W. ABUT.

BAR	NO.	SIZE	LENGTH	SHAPE
h	22	#4	5'-6"	—
h2	6	#4	32'-7"	—
h4	6	#4	4'-6"	—
n1	32	#4	5'-9"	□
p1	10	#7	32'-4"	—
s	30	#5	11'-7"	□
u	8	#6	12'-1"	—
v1	12	#4	4'-5"	—
v2	8	#4	3'-5"	—
Concrete Structures			Cu. Yd.	15.1
Reinforcement Bars			Pound	1,400
Name Plates			Each	1
Steel Piles HP 10x42			Foot	272
Concrete Encasement			Cu. Yd.	1.0
Stud Shear Connectors			Each	16

PILE DATA

Type _____ Steel HP 10x42
 No. Req'd. _____ 4
 Capacity _____ Drive to Refusal
 Est. Length _____ 68 Feet/Pile

HLR
 Rice, Berry and Associates
 A Division of Hampton, Lenzini and Renwick, Inc.
 Civil & Structural Engineers
 801 S. Durkin Drive
 Springfield, Illinois 62704
 217-546-3400
 P.O. Box 1036
 DuQuoin, Illinois 62832
 618-790-4637
 Account Number 12-47-0016-1
 Date: 10-28-04
 DESIGNED: S.W.M. CHECKED: T.P.L. DRAWN: D.B.

WEST ABUTMENT
 F.A.S. 1870 / C.H. 7
 SECTION 03-00136-00-BR
 JACKSON COUNTY
 STR. NO. 039-3249 / STATION 10+04