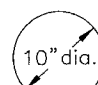


SPACING LETTERS

2.0"	
1.5"	3.5"
1.5"	3.5"
1.5"	3.5"
1.5"	3.5"
3.5"	
3.5"	3.0"
3.5"	2.5"
1.5"	2.5"
3.5"	
1.5"	2.0"
1.5"	2.0"
2.0"	

RECLAMATION PROJECT  
of the  
DEPARTMENT OF NATURAL RESOURCES  
STATE OF ILLINOIS

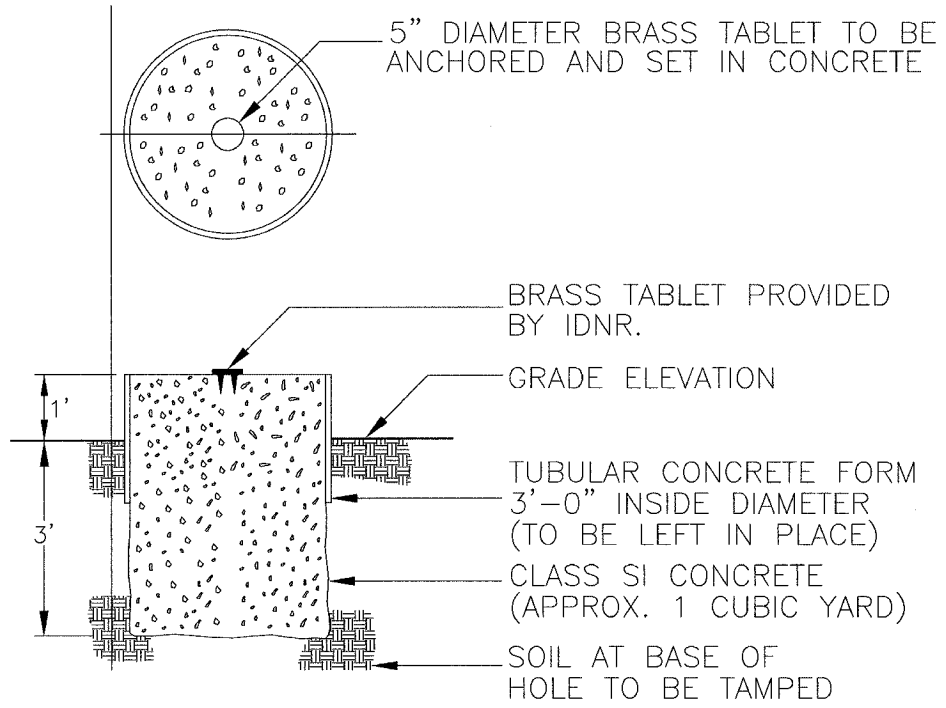
ROD R. BLAGOJEVICH, GOVERNOR

 Joel Brunsvold, Director  
Department of Natural Resources

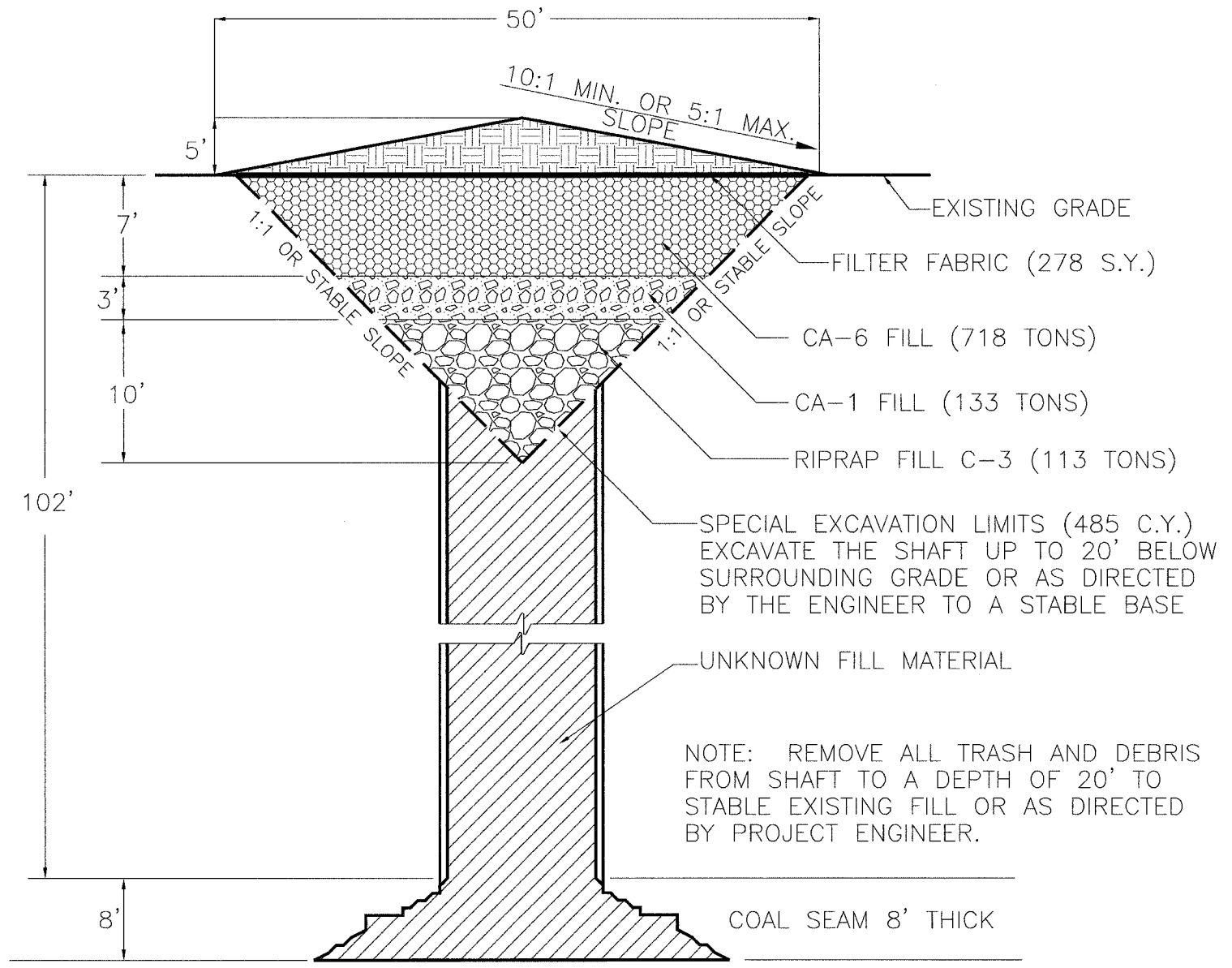
In cooperation with the Office of Surface Mining  
United States Department of the Interior

1. Furnishing, erecting and removing the sign shall be incidental to the contract.
2. The sign shall be painted on 1/2" or thicker exterior plywood (4' x 8'), color shall be black on white, and a 10" diameter Illinois state seal shall be provided by the D.N.R.
3. The posts shall be made of 4" x 4" wood or 2.5" metal pipe, and shall be 10' long. The sign shall be securely fastened to the posts with six 2.5" long, round head wood screws (for wood posts) or four 5" long, 3/8" diameter carriage bolts (for wood or metal posts).
4. The top of the sign shall be level with the top of the posts, and the posts shall be 1' from the edges of the sign. The posts shall be set in the ground 3', so that the bottom of the sign is 3' from the ground.

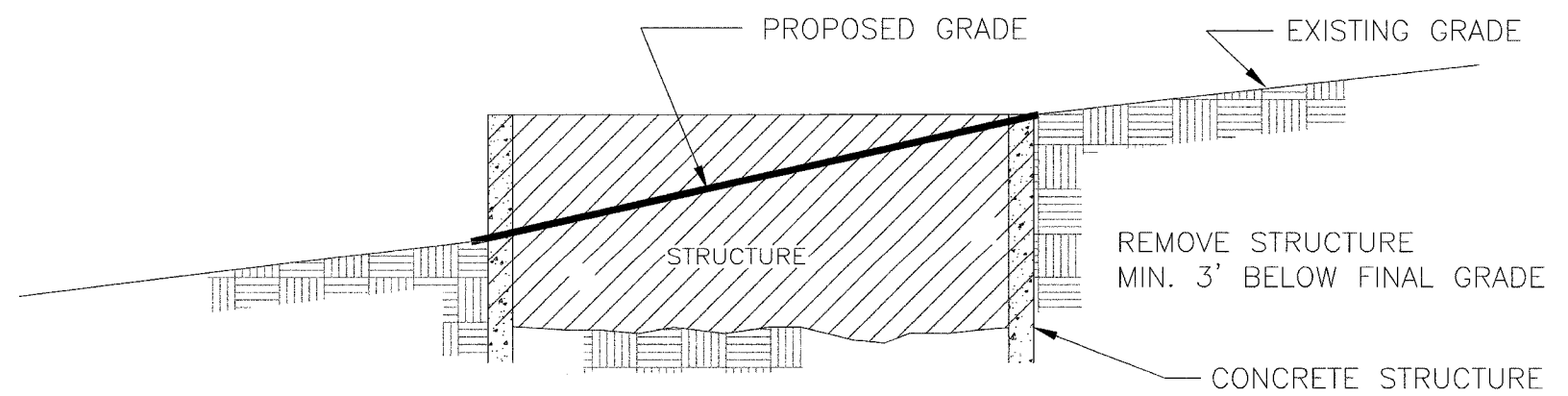
CONSTRUCTION SIGN DETAIL  
DETAIL A-10 - NOT TO SCALE  
EXACT LOCATION TO BE SET BY ENGINEER



MINE OPENING MARKER DETAIL  
DETAIL C-10 - NOT TO SCALE



SHAFT FILLING DETAIL  
DETAIL B-10 - NOT TO SCALE



STRUCTURE REMOVAL DETAIL  
DETAIL D-10 - TYPICAL SECTION, NOT TO SCALE

State of Illinois  
Department of Natural Resources

Cartersville District C.C. #6  
Reclamation Project  
AML-GWmE-0416  
Williamson County

Drawn By: OMA  
Checked By: *SP*  
Date: 11-12-04  
12-10-07

Details Sheet  
Sheet 10 of 10