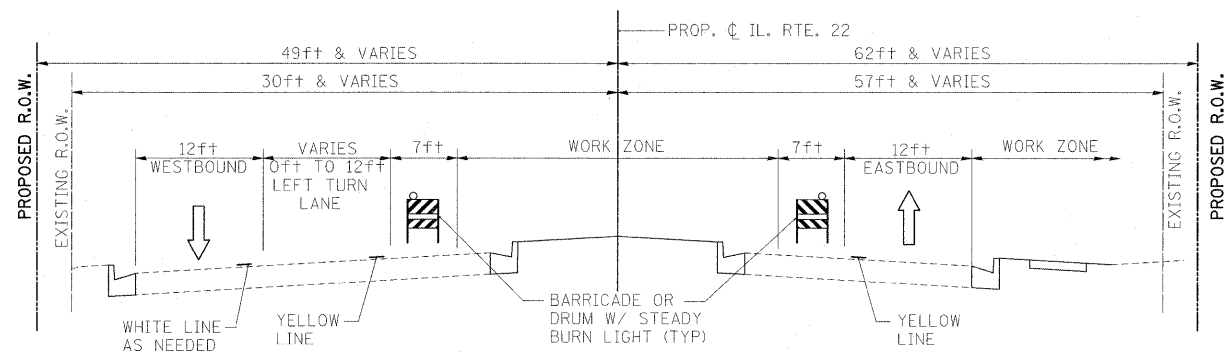


NOTE: SEE PLAN FOR AREAS OF CURB & GUTTER ALONG OUTSIDE EDGE OF PAVEMENT TO BE CONSTRUCTED AFTER COMPLETION OF MEDIAN WORK

STAGE 4

STA. ±46+48 TO STA. ±76+84
 STA. ±81+75 TO STA. ±101+44
 STA. ±109+64 TO STA. ±115+13
 STA. ±149+01 TO STA. ±173+95

PROJECT OMISSION: STA. 115+12.03 TO
 STA. 139+09.88



NOTE: SEE PLAN FOR AREAS OF CURB & GUTTER ALONG OUTSIDE EDGE OF PAVEMENT TO BE CONSTRUCTED AFTER COMPLETION OF MEDIAN WORK

STAGE 4

STA. ±76+84 TO STA. ±81+76
 STA. ±101+44 TO STA. ±109+65
 STA. ±139+09 TO STA. ±149+02

PROJECT OMISSION: STA. 115+12.03 TO
 STA. 139+09.88

FILE NAME =	USER NAME = #USER#	DESIGNED - LP	REVISED -	STATE OF ILLINOIS DEPARTMENT OF TRANSPORTATION	IL. ROUTE 22 MAINTENANCE OF TRAFFIC TYPICAL SECTIONS, STAGE 4			F.A.P. RTE. 337	SECTION 20R-4	COUNTY LAKE	TOTAL SHEETS 232	SHEET NO. 38
W:\ILRTE22\2009 REVISIONS\CADD Sheets\0160860-shr-staging-typical.dgn		DRAWN - DC	REVISED -		SCALE: NTS	SHEET NO. 38 OF 232 SHEETS	STA.	TO STA.	CONTRACT NO. 60860			
		CHECKED - JP	REVISED -		ILLINOIS FED. AID PROJECT							
		DATE - 05/14/2010	REVISED -									