

SOIL EROSION AND SEDIMENT CONTROL CONSTRUCTION SEQUENCE:

STAGE I:

1. PROVIDE TREE REMOVAL AS SHOWN ON ROADWAY PLANS. INSTALL TREE PROTECTION.
2. INSTALL EROSION AND SEDIMENT CONTROL MEASURES.
3. INSTALL TRAFFIC CONTROL DEVICES.
4. CLEAR STAGE I TEMPORARY WIDENING AREA.
5. PROVIDE TEMPORARY PAVEMENT WIDENING

STAGE II:

1. PRESERVE AND PROTECT EXISTING VEGETATION AND PRAIRIE GRASSES.
2. INSTALL TEMPORARY VEGETATIVE STABILIZATION OF CONTROL MEASURES. REMOVE EXISTING PAVEMENT AS SHOWN ON M.O.T. PLANS.
4. INSTALL DRAINAGE STRUCTURES, STORM SEWERS, CULVERTS, AND OTHER UTILITIES AS SHOWN ON DRAINAGE PLANS. INSTALL INLET AND OUTLET PROTECTION.
5. INSTALL ROADWAY SUBGRADE AND EMBANKMENT WIDENING.
6. INSTALL NEW PAVEMENT.
7. PROVIDE SODDING.
8. PERFORM CONTINUING MAINTENANCE OF SEDIMENT CONTROL MEASURES.

STAGE III:

1. INSTALL TRAFFIC CONTROL DEVICES.
2. PRESERVE AND PROTECT EXISTING VEGETATION AND PRAIRIE GRASSES.
3. INSTALL TEMPORARY EROSION CONTROL MEASURES.
4. REMOVE EXISTING PAVEMENT AS SHOWN ON THE PLANS.
5. INSTALL DRAINAGE STRUCTURES, STORM SEWERS, CULVERTS, AND OTHER UTILITIES AS SHOWN ON DRAINAGE PLANS. INSTALL INLET AND OUTLET PROTECTION.
6. INSTALL ROADWAY SUBGRADE AND EMBANKMENT WIDENING.
7. INSTALL NEW PAVEMENT.
8. PROVIDE SODDING.
9. PERFORM CONTINUING MAINTENANCE OF SEDIMENT CONTROL MEASURES.

STAGE IV:

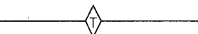


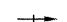

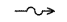

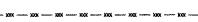
1. PROVIDE TRAFFIC CONTROL DEVICES.
2. INSTALL SUBGRADE AND NEW PAVEMENT.
3. REMOVE TEMPORARY EROSION AND SEDIMENT CONTROL DEVICES AFTER STABILIZATION OF DISTURBED GROUND.
4. PROVIDE LANDSCAPING ITEMS.

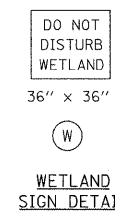
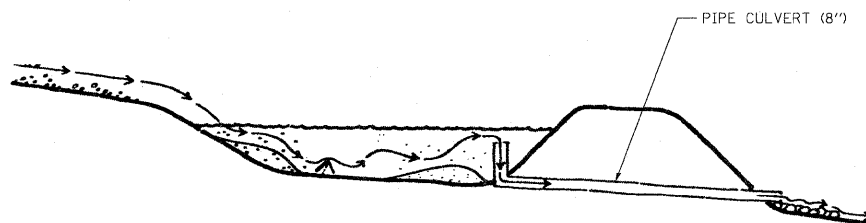
NOTES:

1. THE CONTRACTOR WILL ASSUME RESPONSIBILITY FOR MAINTENANCE OF ALL SOIL EROSION CONTROL DURING CONSTRUCTION.
2. LOOSE MATERIAL DEPOSITED IN THE FLOW LINE OF THE GUTTERS OR DRAINAGE STRUCTURES SO THAT THE NATURAL FLOW OF WATER IS OBSTRUCTED SHALL BE REMOVED AT THE CLOSE OF EACH WORKING DAY.
3. SEE TRAFFIC STAGING PLANS FOR LIMITS OF CONSTRUCTION STAGING.
4. SEE DRAINAGE PLANS FOR LOCATIONS OF EXISTING UTILITIES AND PROPOSED STORM SEWER.
5. CONTACT MR. RICK WANNER AT 847-405 4172 FOR THE LOCATION AND THE USE OF THE "DO NOT DISTURB WETLAND" SIGNS. PICKUP, INSTALLATION, MAINTENANCE, REMOVAL AND RETURN OF THE SIGNS ARE INCLUDED IN THE COST OF PERIMETER EROSION BARRIER.
6. TEMPORARY FENCE SHOULD BE ERECTED ALONG THE DRIP LINE OF EXISTING TREES TO REMAIN WITHIN THE LIMITS OF CONSTRUCTION. AFTER TREES ARE SAFELY FENCED NOTHING IS TO BE STORED, DRIVEN, OR DISTURBED INSIDE THE FENCE. REMOVE PROTECTIVE TEMPORARY FENCE ONLY AFTER ALL CONSTRUCTION WORK HAS BEEN COMPLETED.
7. EROSION CONTROL WORK ITEMS ARE CONSIDERED TO BE HIGH PRIORITY ITEMS ON THIS CONTRACT. THE ENGINEER WILL IMPLEMENT ALL PROVISIONS OF THE SPECIFICATION NECESSARY TO ASSURE THAT EROSION CONTROL ITEMS ARE CONSTRUCTED AND MAINTAINED IN TIMELY WAY. ALL EROSION CONTROL MEASURES SHALL BE INSTALLED PRIOR TO BEGINNING ANY CONSTRUCTION ACTIVITIES WHICH WILL POTENTIALLY CREATE ERODABLE CONDITIONS.

8. THE LANDSCAPING AND EROSION CONTROL MEASURES SHOWN ARE A GRAPHICAL REPRESENTATION OF SUGGESTED MEASURES. DEVIATIONS FROM THIS PLAN ARE TO BE EXPECTED PENDING A JOB SITE INSPECTION BETWEEN THE CONTRACTOR AND THE DEPARTMENT.
9. UNLESS OTHERWISE INDICATED, ALL VEGETATIVE AND STRUCTURAL EROSION AND SEDIMENT CONTROL PRACTICES WILL BE CONSTRUCTED ACCORDING TO MINIMUM STANDARDS AND SPECIFICATIONS IN THE ILLINOIS URBAN MANUAL REVISED FEBRUARY 2002.
10. THE LAKE COUNTY SWCD AND CORPS OF ENGINEERS MUST BE NOTIFIED ONE WEEK PRIOR TO THE PRE-CONSTRUCTION CONFERENCE, ONE WEEK PRIOR TO THE COMMENCEMENT OF LAND DISTURBING ACTIVITIES, AND ONE WEEK PRIOR TO THE FINAL INSPECTION.
11. A COPY OF THE APPROVED EROSION AND SEDIMENT CONTROL PLAN SHALL BE MAINTAINED ON THE SITE AT ALL TIMES.
12. THE CONTRACTOR IS RESPONSIBLE FOR INSTALLATION OF ANY ADDITIONAL EROSION CONTROL MEASURES NECESSARY TO PREVENT EROSION AND SEDIMENTATION AS DETERMINED BY THE NCSWCD AND CORPS OF ENGINEERS.
13. ALL EROSION CONTROL MEASURES MUST BE INSPECTED BY IDOT, AND THE INSPECTION REPORT MUST BE SIGNED BY THE CONTRACTOR EVERY SEVEN DAYS AND AFTER EACH 1/2 " RAIN EVENT.
14. EROSION CONTROL BLANKET AND/OR STRAW MULCH WITH NETTING (DEPENDING ON SLOPE, SLOPE LENGTH, AND FLOW RATES) SHALL BE INSTALLED ON ALL SLOPES AND IN CRITICAL AREAS (I.e. PERIMETERS, BERMS, ETC.) IMMEDIATELY UPON FINAL GRADING.
15. IN AREAS WHERE WORK IS COMPLETED, PERMANENT STABILIZATION SHALL OCCUR WITHIN 7 DAYS OF COMPLETION, AND IN AREAS WHERE WORK HAS TEMPORARILY CEASED FOR 14 DAYS OR MORE, TEMPORARY STABILIZATION SHALL OCCUR BY THE 7th DAY AFTER WORK HAS CEASED.

SOIL EROSION AND SEDIMENT CONTROL CONSTRUCTION LEGEND:

-  TEMPORARY DITCH CHECKS
-  INLET FILTER
-  PERIMETER EROSION BARRIER
-  SWALE
-  RIPRAP
-  DITCH FLOW
-  SEDIMENT BASIN
-  TEMPORARY FENCE



FILE NAME = W:\ILRTE22\2009 REVISIONS\CADD Sheets	USER NAME = #USER# D160860-shl-erosion-gennote.dgn	DESIGNED - LP	REVISED -	STATE OF ILLINOIS DEPARTMENT OF TRANSPORTATION	IL. ROUTE 22 EROSION CONTROL NOTES	F.A.P. RTE. 337	SECTION 20R-4	COUNTY LAKE	TOTAL SHEETS 232	SHEET NO. 67
	PLOT SCALE = #SCALE#	CHECKED - JP	REVISED -	SCALE: NTS SHEET NO. 67 OF 232 SHEETS STA. TO STA.		CONTRACT NO. 60860				
	PLOT DATE = 5/15/2010	DATE - 05/14/2010	REVISED -	ILLINOIS FED. AID PROJECT						