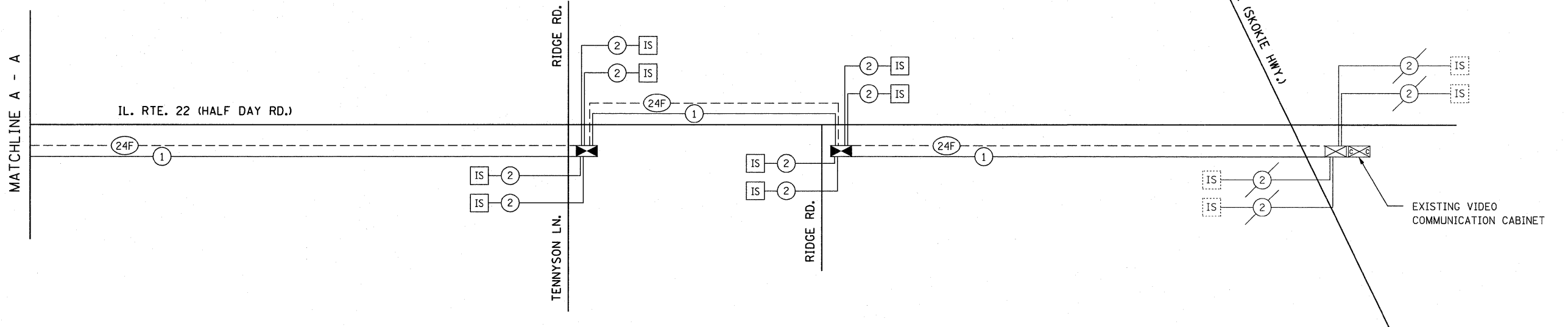


SCHEDULE OF QUANTITIES

ITEM	UNIT	QTY.
CONDUIT IN TRENCH, 2" DIA., GALVANIZED STEEL	FOOT	10,168
CONDUIT PUSHED, 2" DIA., GALVANIZED STEEL	FOOT	2,276
CONDUIT ATTACHED TO STRUCTURE, 2" DIA., GALVANIZED STEEL	FOOT	158
HANDHOLE	EACH	18
TRENCH AND BACKFILL FOR ELECTRICAL WORK	FOOT	10,168
DRILL EXISTING HANDHOLE	EACH	2
ELECTRIC CABLE IN CONDUIT, TRACER, NO. 14 1C	FOOT	16,334
RE-OPTIMIZE TRAFFIC SIGNAL SYSTEM LEVEL 2	EACH	1
FIBER OPTIC CABLE IN CONDUIT, NO. 62.5/125, MM12F SM12F	FOOT	16,508
MEDIA CONVERTER	EACH	1
TERMINATE FIBER IN CABINET	EACH	20
SPLICE FIBER IN CABINET	EACH	24



FILE NAME =	USER NAME = poe1eche	DESIGNED - LP	REVISED - 07/26/2010
W:\ILRTE22\2009 REVISIONS\CADD Sheets\	revised sheets\DI60868-shr-ts-INTERSCHMATIC	DRAWN - LP	REVISED - 07/27/2010
	PLOT SCALE = 20,0000' / IN.	CHECKED - JP	REVISED -
	PLOT DATE = 7/28/2010	DATE - 05/14/2010	REVISED -

STATE OF ILLINOIS
DEPARTMENT OF TRANSPORTATION

INTERCONNECT SCHEMATIC
IL. ROUTE 22 (HALF DAY RD.)
FROM HEWITT DR. TO U.S. ROUTE 41 (SKOKIE HWY.)

SCALE: NTS SHEET NO. 170 OF 232 SHEETS STA. TO STA.

F.A.P. RTE.	SECTION	COUNTY	TOTAL SHEETS	SHEET NO.
337	20R-4	LAKE	232	170
CONTRACT NO. 60860			ILLINOIS FED. AID PROJECT	