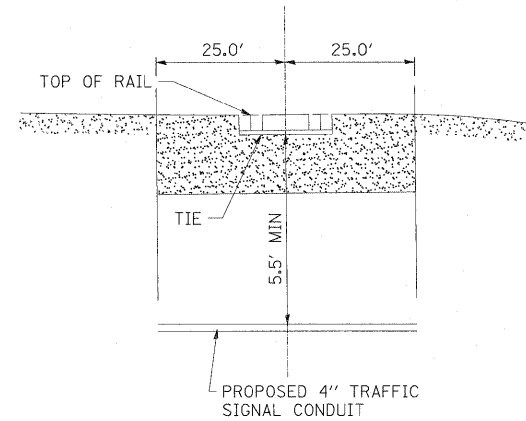
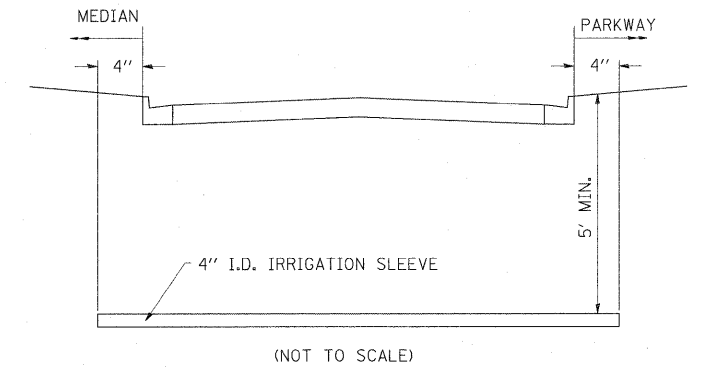


**RAIN GARDEN/BIOSWALE CROSS SECTION**

\* ENGINEERED SOIL MUST BE TESTED FOR TEXTURE, PH AND ORGANIC MATTER PRIOR TO INSTALLATION.



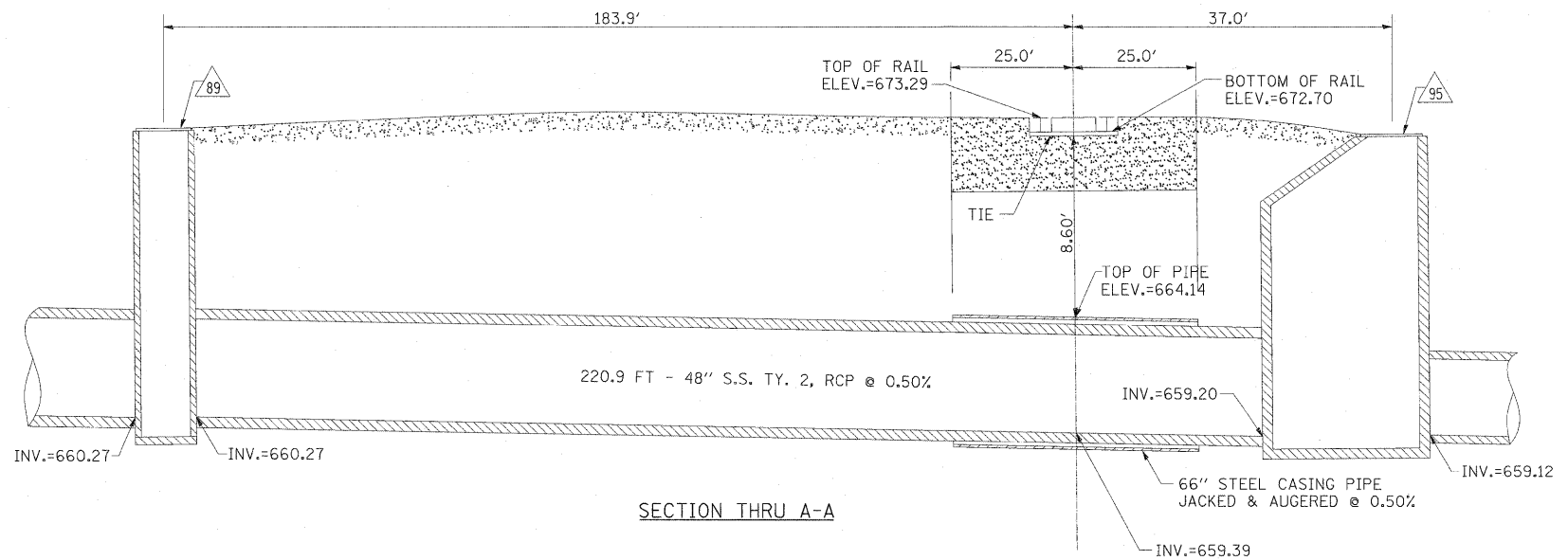
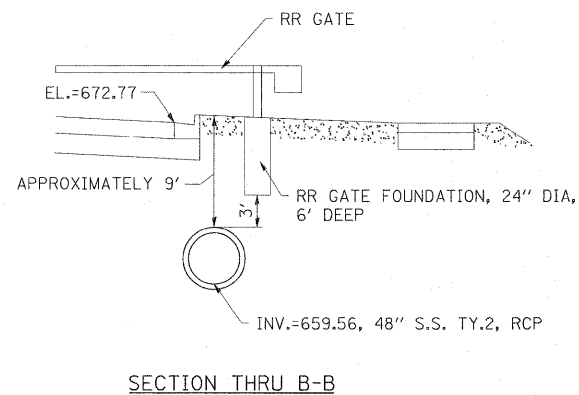
**TRAFFIC SIGNAL CONDUIT CROSSING RAILROAD TRACKS**



**NOTES:**

1. THE MATERIAL FOR THE IRRIGATION SLEEVE SHALL BE 4" PVC SCHEDULE 80.
2. THE 4" PVC SHALL BE INSTALLED PRIOR TO THE PLACEMENT OF THE SUBGRADE AND SHALL BE BACKFILLED IN ACCORDANCE WITH ARTICLE 550.07.
3. THE ENDS OF THE SLEEVES SHALL BE MARKED WITH A STEEL ROD FROM THE INVERT TO 1 FOOT BELOW FINISHED GRADE.
4. THE "IRRIGATION SLEEVES" WILL BE PAID FOR AT THE CONTRACT UNIT PRICE PER FOOT, AND SHALL INCLUDE ALL MATERIALS AND BACKFILL REQUIRED TO COMPLETE THE WORK AS SHOWN.
5. THE ENDS OF THE SLEEVES SHOULD BE CAPPED.

**IRRIGATION SLEEVE DETAIL**



**STORM SEWER JACKED & AUGERED UNDER THE RAILROAD TRACKS**

FILE NAME =	USER NAME = #USER#	DESIGNED - LP	REVISED -	<b>STATE OF ILLINOIS DEPARTMENT OF TRANSPORTATION</b>	<b>IL. ROUTE 22 DETAILS</b>		F.A.P. RTE.	SECTION	COUNTY	TOTAL SHEETS	SHEET NO.
W:\ILRTE22\2009 REVISIONS\CADD Sheets\	DIG0860-ahd-details.dgn	DRAWN - DC	REVISED -		337	20R-4	LAKE	232	173		
PLOT SCALE = #SCALE#	CHECKED - JP	DATE - 05/14/2010	REVISED -		SCALE: NTS SHEET NO. 173 OF 232 SHEETS STA. TO STA.			CONTRACT NO. 60860			
PLOT DATE = 5/15/2010	DATE - 05/14/2010	REVISED -			ILLINOIS FED. AID PROJECT						