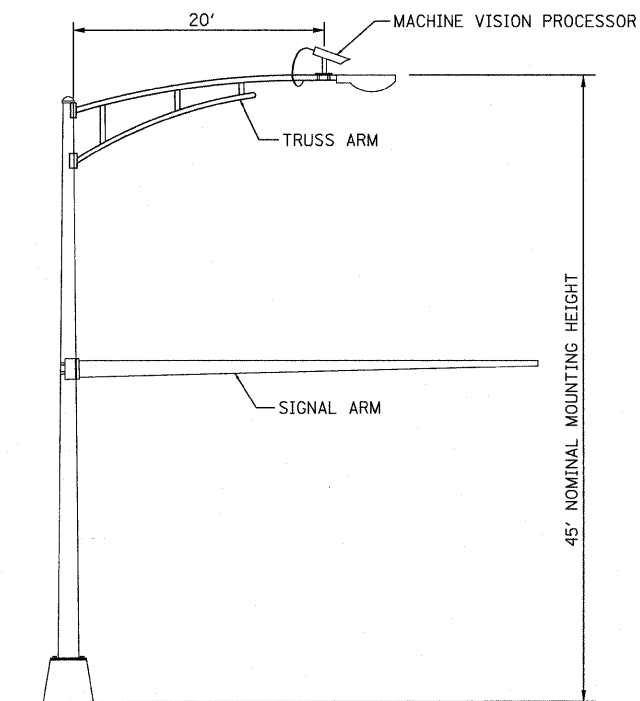


**TYPICAL VIDEO VEHICLE
DETECTION SYSTEM**

(NOT TO SCALE)

(4) MACHINE VISION PROCESSOR ASSEMBLIES AND BRACKETS ① ② ③ ④
POWER CABLE TO EACH MACHINE VISION PROCESSOR (24 VAC)



**COMBINATION MAST ARM ASSEMBLY
AND POLE DIMENSIONS**

(NOT TO SCALE)

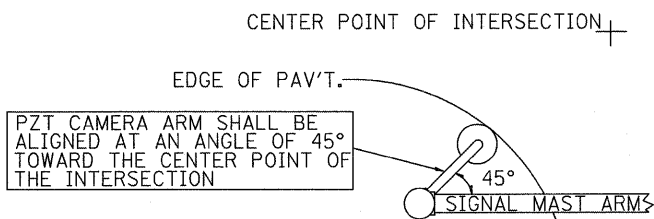
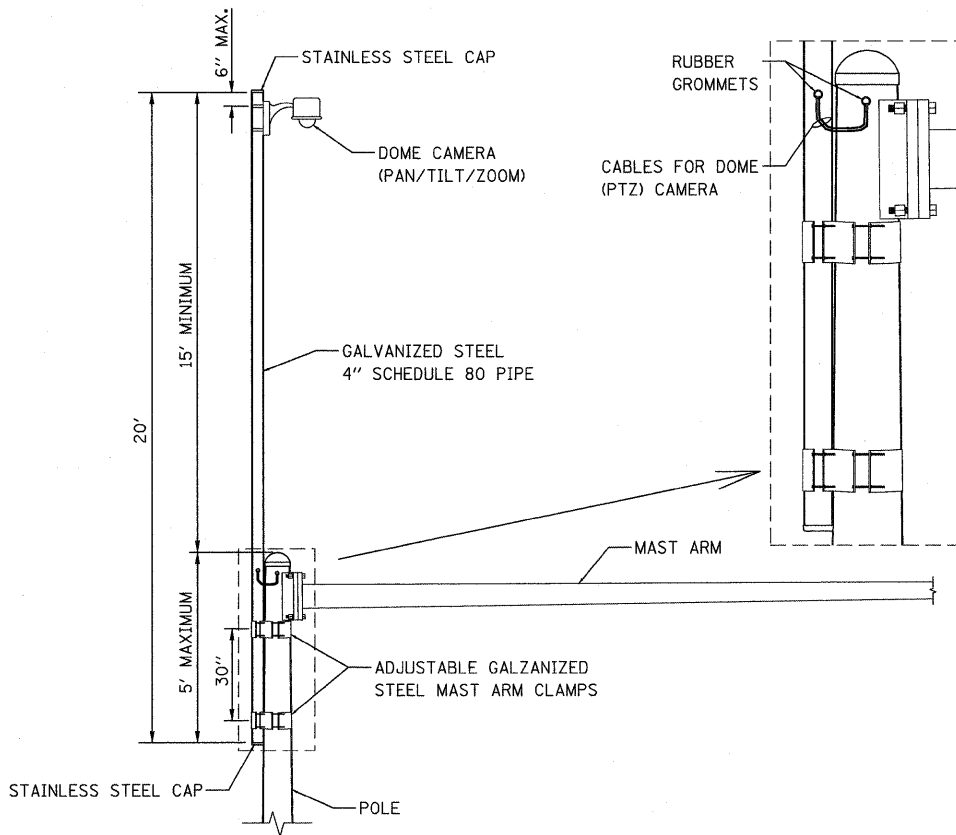


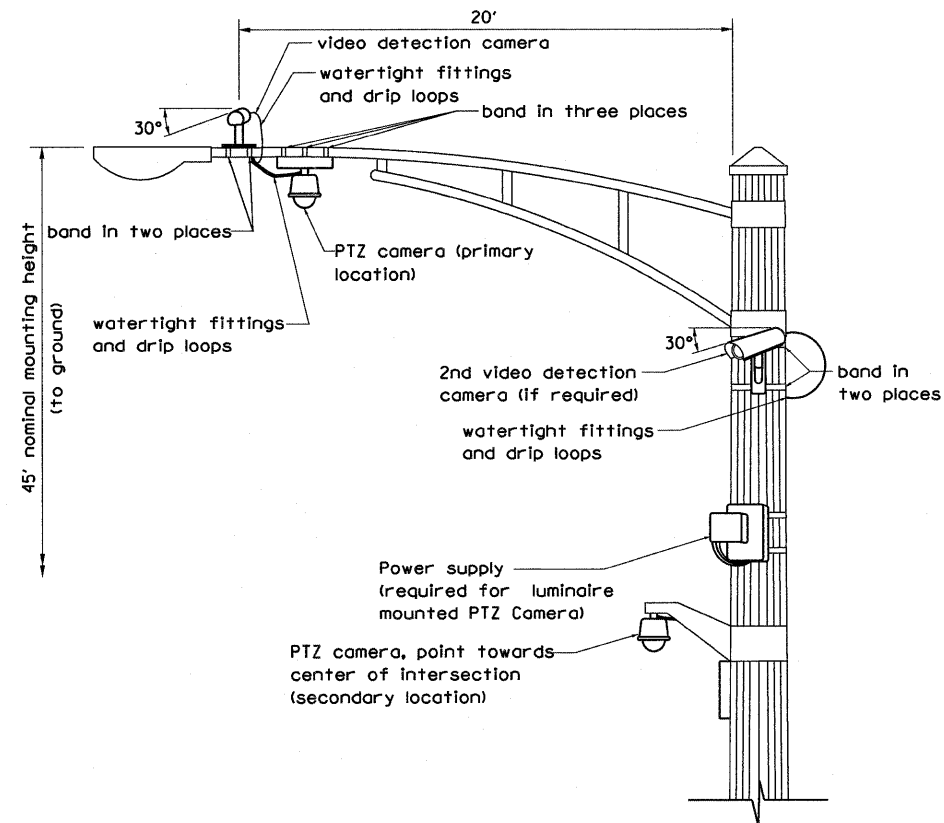
IMAGE SENSOR MOUNTING DETAILS

(NO SCALE)



CAMERA MOUNTING ASSEMBLY DETAIL

(NOT TO SCALE)



**VIDEO DETECTION CAMERA(S) AND
DOME (PTZ) CAMERA MOUNTING DETAIL**

(NOT TO SCALE)

- NOTES FOR SINGLE, DUAL AND MULTIPLE MVP MOUNTING:
- MOUNT LUMINAIRE MOUNTING BRACKET AS HIGH AS POSSIBLE.
 - AIM BRACKET TOWARD DIRECTION OF TRAFFIC TO BE DETECTED.
 - MOUNT MACHINE VISION PROCESSOR AIMING DOWN AT 30 DEGREE ANGLE.

REVISIONS	DATE	LakeCounty Division of Transportation	APPROVED BY: A. KHAWAJA DATE: APRIL 1, 2007
Mounting Details Revised	5/08		
2nd Camera Locat. added	1/14/09		

NO.	DESCRIPTION	DATE	BY	SURVEYOR:
		/ /		DSGMR/LIAISON:
		/ /		PLOTTED BY:

FILE NAME = W:\ILRTE22\2009 REVISIONS\CADD Sheets\

USER NAME = pcc1eche

DESIGNED - LP

DRAWN - LP

CHECKED - JP

PLOT DATE = 7/28/2010

REVISIONS	DATE	BY	SURVEYOR:
revised sheets\DI08860-sht-TS_details.dgn			

DATE - 07/20/2010

**STATE OF ILLINOIS
DEPARTMENT OF TRANSPORTATION**

**IL. ROUTE 22
VIDEO DETECTION DETAILS**

SCALE: NTS SHEET NO. 173A OF 232 SHEETS STA. TO STA.

ROUTE	SECTION	SECTION NUMBER	SHEET	SHEETS
CH				

F.A.P. RTE.	SECTION	COUNTY	TOTAL SHEETS	SHEET NO.
337	20R-4	LAKE	232	173A

CONTRACT NO. 60860
ILLINOIS FED. AID PROJECT