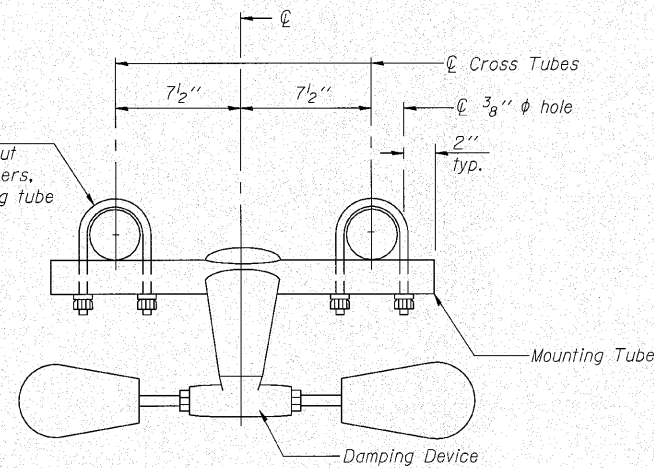
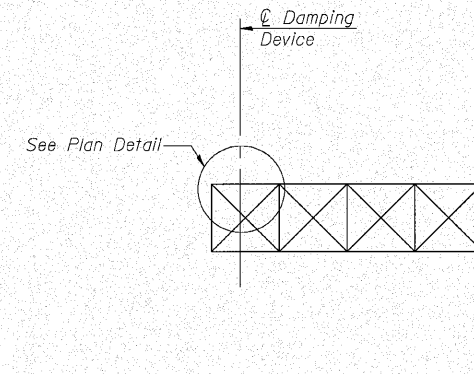


PLAN DETAIL

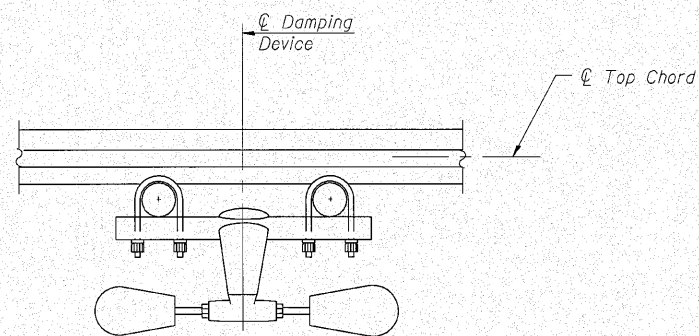
5/16" ϕ stainless steel U-bolt with hot dip galvanized locknut and two stainless steel washers, typ. 3/8" ϕ holes in mounting tube



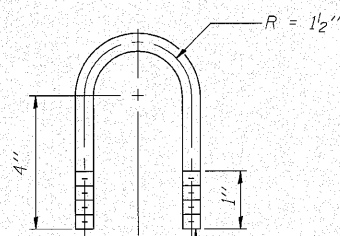
TRUSS DAMPING DEVICE CONNECTION DETAIL



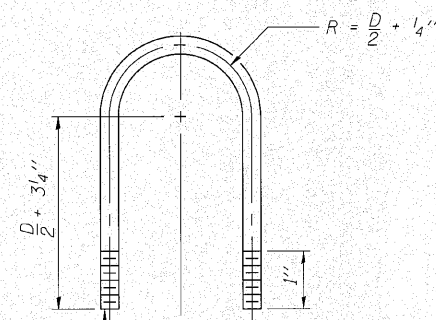
ELEVATION
Aluminum Cantilever Sign Structure



SECTION A-A



DAMPING DEVICE MOUNTING TUBE U-BOLT DETAIL
(Typical)



TOP CHORD TO CROSS TUBE U-BOLT DETAIL
(Typical)

- GENERAL NOTES**
- Damper: One damper per truss. (31 lbs. Stockbridge-Type Aluminum-29" minimum between ends of weights)
- Materials: Aluminum tubes shall be ASTM B221 alloy 6061 temper T6

OSC-A-D

7-1-10



USER NAME *	DESIGNED - ADB	REVISED -
PLOT SCALE *	CHECKED - MTH	REVISED -
PLOT DATE *	DRAWN - ADB	REVISED -
	CHECKED - MTH	REVISED -

STATE OF ILLINOIS
DEPARTMENT OF TRANSPORTATION

CANTILEVER SIGN STRUCTURE
DAMPING DEVICE

SHEET NO. 3 OF 9 SHEETS

F.A.I. RTE.	SECTION	COUNTY	TOTAL SHEETS	SHEET NO.
80	99 (5&5-1) Y	WILL	276	129
				CONTRACT NO. 60147
ILLINOIS FED. AID PROJECT				