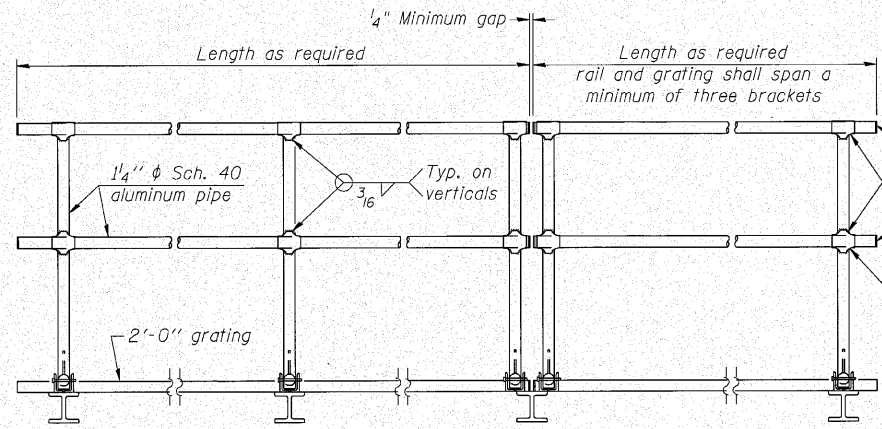


SIDE ELEVATION
(Showing Safety Chain W/O Sign)

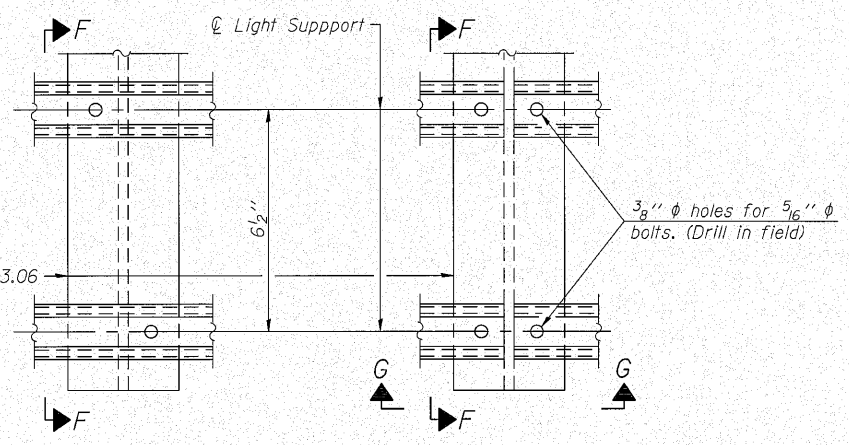


FRONT ELEVATION

HANDRAIL DETAILS

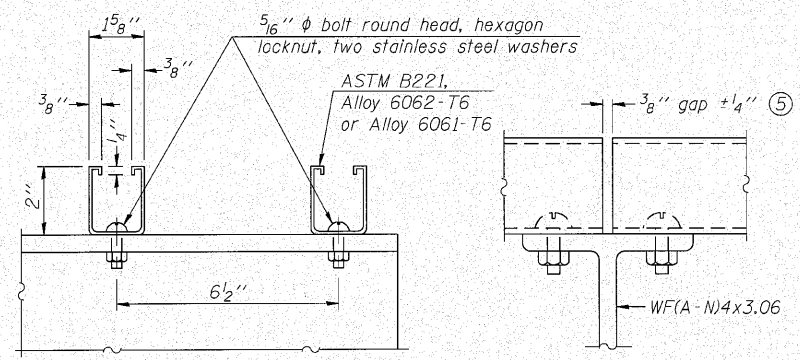
Handrail pipe shall be ASTM B241 or B429, Alloy 6063-T6 or Alloy 6061-T6.

① Install standard force-fit end caps or weld 1/8" end plates with 1/8" c.f.w. and grind smooth. (All rail ends)
Fittings-ASTM B26, Alloy 356-T7 or 1/2" aluminum pipe
② Horizontal handrail member shall be continuous thru fitting. Provide 1/16" hole in fitting for 3/8" bolt. Field drill 1/16" hole in horizontal rail member. Provide locknut and two stainless steel washers for bolt. (Use 5/16" eyebolts in 1/16" holes on top rail at ends only.)



DETAIL F

DETAIL G

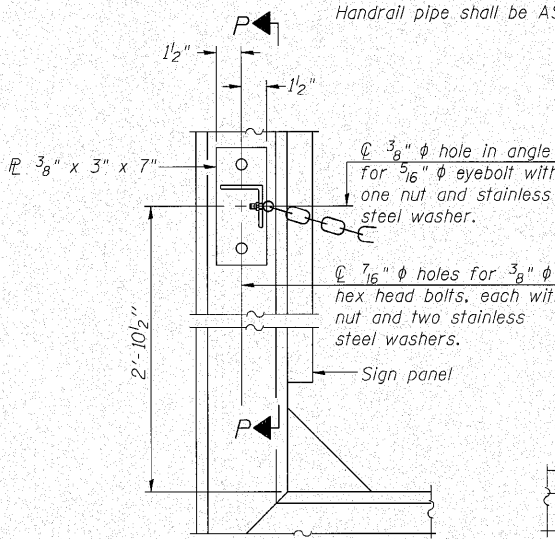


SECTION F-F

SECTION G-G

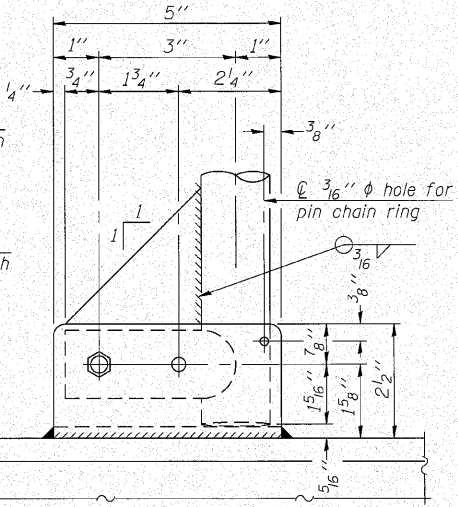
LIGHTING FIXTURE MOUNTS (IF REQUIRED)

⑤ Field cut ends of light support channels shall be free of burrs or hazardous projections and coated with zinc-rich primer or equivalent.

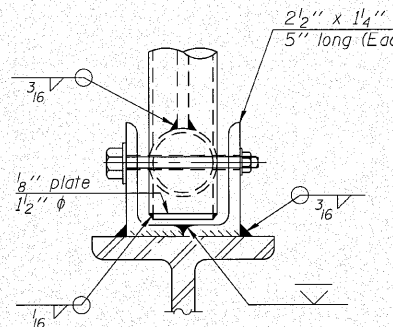


ALTERNATE SAFETY CHAIN ATTACHMENT
(With Sign Present)

Items not shown same as "Side Elevation" of "Handrail Details"

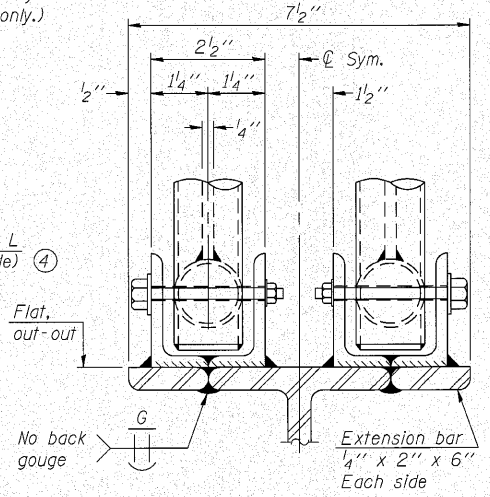


SIDE ELEVATION



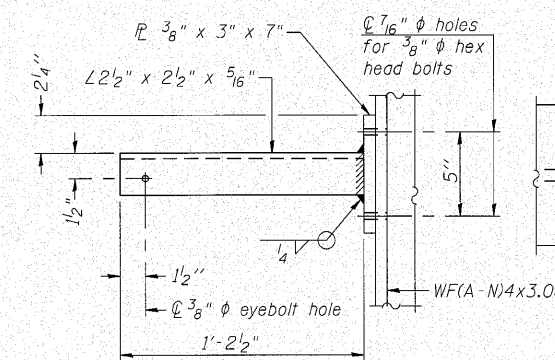
FRONT ELEVATION

Details not shown same as "ELEVATION" at right.

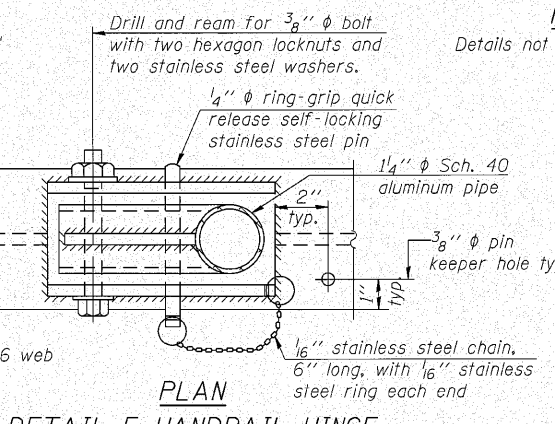


ELEVATION AT HANDRAIL JOINT

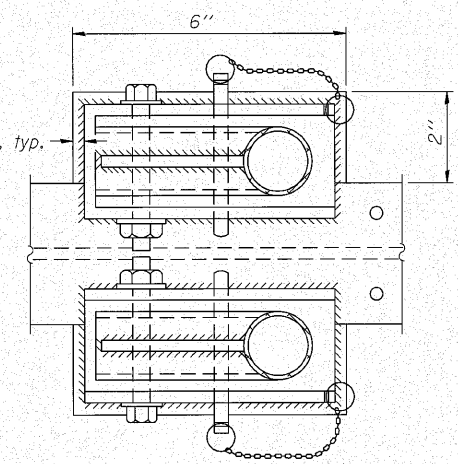
Details not shown same as "FRONT ELEVATION"



SECTION P-P

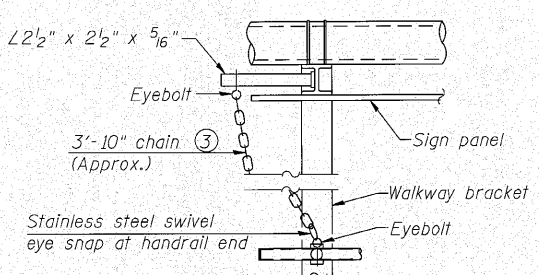


PLAN
DETAIL E HANDRAIL HINGE



PLAN AT HANDRAIL JOINT

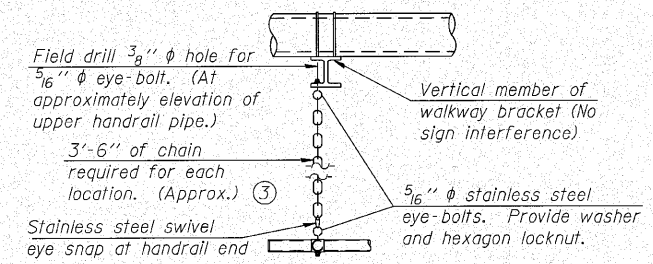
Details not shown same as "PLAN"



ALTERNATE SAFETY CHAIN ATTACHMENT
(Walkway omitted for clarity)

③ 3/16" Type 304L stainless steel chain, approximately 12 links per foot.

④ Extrusions may be used in lieu of the details shown, with approval of the Engineer.



SAFETY CHAIN

One required for each end of each walkway.

OSC-A-8

7-1-10



USER NAME =
DESIGNED - ADB
CHECKED - MTH
DRAWN - ADB
CHECKED - MTH

REVISOR =
REVISION =
REVISION =
REVISION =

STATE OF ILLINOIS
DEPARTMENT OF TRANSPORTATION

CANTILEVER SIGN STRUCTURES - HANDRAIL DETAILS
ALUMINUM TRUSS & STEEL POST

F.A.I. SECTION COUNTY TOTAL SHEETS SHEET NO.
80 99 (5&5-1) Y WILL 276 134

SHEET NO. 8 OF 9 SHEETS

F.A.I. SECTION	COUNTY	TOTAL SHEETS	SHEET NO.
80 99 (5&5-1) Y	WILL	276	134
CONTRACT NO. 60147		ILLINOIS FED. AID PROJECT	