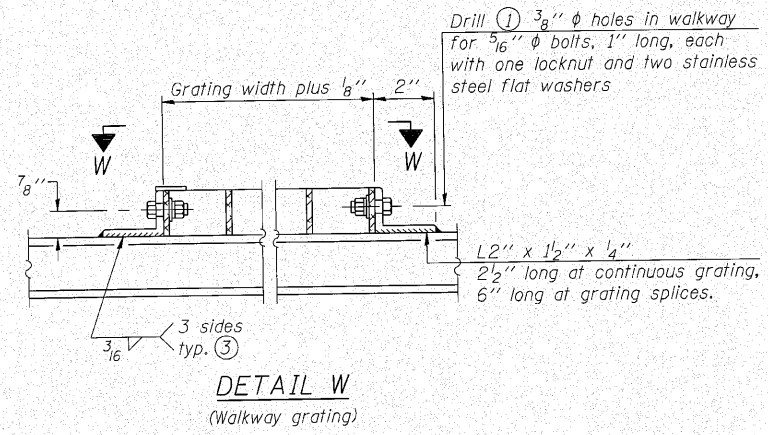
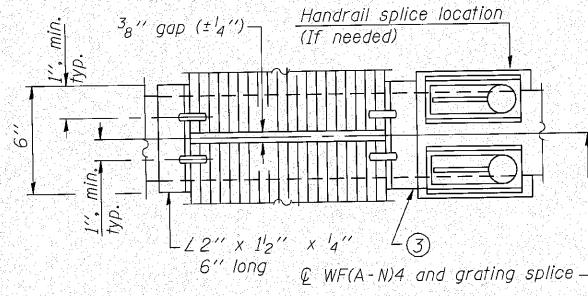


Details not shown same as Detail T. Alternate materials may be used subject to the Engineer's review and approval.



**SPECIFICATIONS FOR STANDARD ALUMINUM GRATING**

Main Bearing Bars shall be 3/16" x 1 1/2" on 1 3/16" centers and conform to ASTM B221 Alloy 6061-T6.  
 Cross bars shall be 3/16" x 1/2" on 4" centers and conform to ASTM B221 Alloy 6063-T5 or 6061-T6.

**OR**

Aluminum Grating with modified "4" sections for main bearing bars shall meet the following requirements:  
 Main bars shall conform to ASTM B221 Alloy 6061-T6 and have a minimum section modulus equal to 0.0705 in.<sup>3</sup> per bar, a depth of 1 1/2", spaced on 1 3/16" centers.  
 Cross bars shall conform to ASTM B221 Alloy 6063-T5 or T-42 and spaced on 4" centers.

Structure Number	Station	A	ⓐ B	C	ⓑ D
IS0991080R139.5	795+35	6" *	3'-3"	7'-0"	10'-9"
IS0991080L140.3	839+88	6" *	4'-3"	7'-0"	11'-9"

\* Assuming 5 3/8" O.D. Truss Chords. Field verify truss chord O.D. prior to fabrication.

- Drilling holes in grating may be done in shop or field, based on Contractor's preference and subject to accurate alignment.
- Stainless steel shims shall be placed as shown in Detail T if needed to compensate for alignment variations between horizontal and diagonal pipes beyond adjustment provided by angles. Thicker shims may be used subject to shims performing properly.
- If Handrail Joint present, weld angle to WF(A-N)4 and 1/4" extension bars. (See Base Sheet OS-A-11.)
- 1/8" x 1/2" x 2" welded to handrail posts to protect locations that contact grating.
- Tube to grating gap may vary from 0 to 1/2", max. to align walkway, allow for camber, etc.
- Based on actual height of tallest sign given on OS-A-1.

FILE NAME = C:\p03\3384\2\_west\design\structural\Overhead Sign Structure - Spem\3384 1-80W 05 OS-A-10.dgn  
 C:\p03\3384\2\_west\design\structural\Overhead Sign Structure - Spem\3384 1-80W 05 OS-A-10.dgn

**CG** Clorba Group, Inc.  
 CONSULTING ENGINEERS  
 500 North Cumberland Avenue  
 Suite 407, Chicago, Illinois 60610  
 Tel: 773.775.4514 Fax: 773.775.4514  
 Email: cing@clorba.com

USER NAME = mthomas	DESIGNED - AMK	REVISD -
PLOT SCALE =	CHECKED - BWS	REVISD -
PLOT DATE = 10/27/2010	DRAWN - SAT	REVISD -
	CHECKED - BWS	REVISD -

**STATE OF ILLINOIS  
 DEPARTMENT OF TRANSPORTATION**

**OVERHEAD SIGN STRUCTURES  
 ALUMINUM WALKWAY DETAILS**  
 SHEET NO. 5 OF 9 SHEETS

F.A.I. RTE. 80	SECTION 99-5-Y	COUNTY WILL	TOTAL SHEETS 276	SHEET NO. 140
CONTRACT NO. 60147				ILLINOIS FED. AID PROJECT