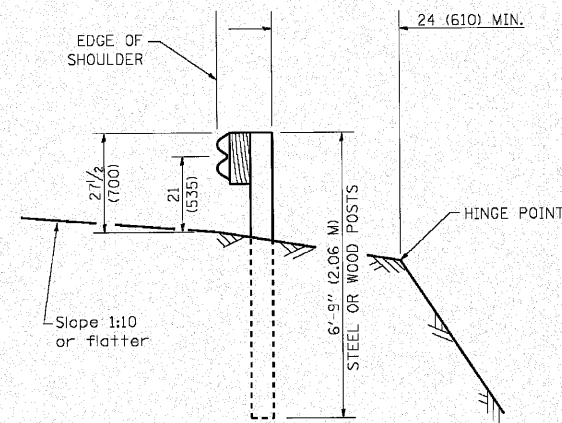


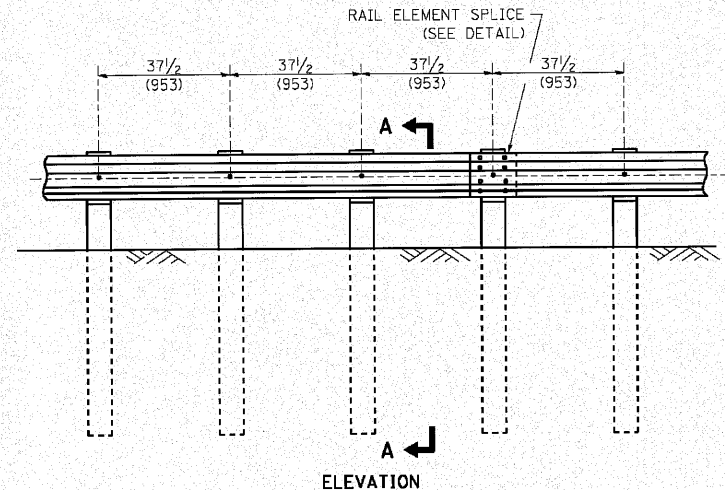
ELEVATION

TYPE A

6'-3" (1.905 M) TYPICAL POST SPACING



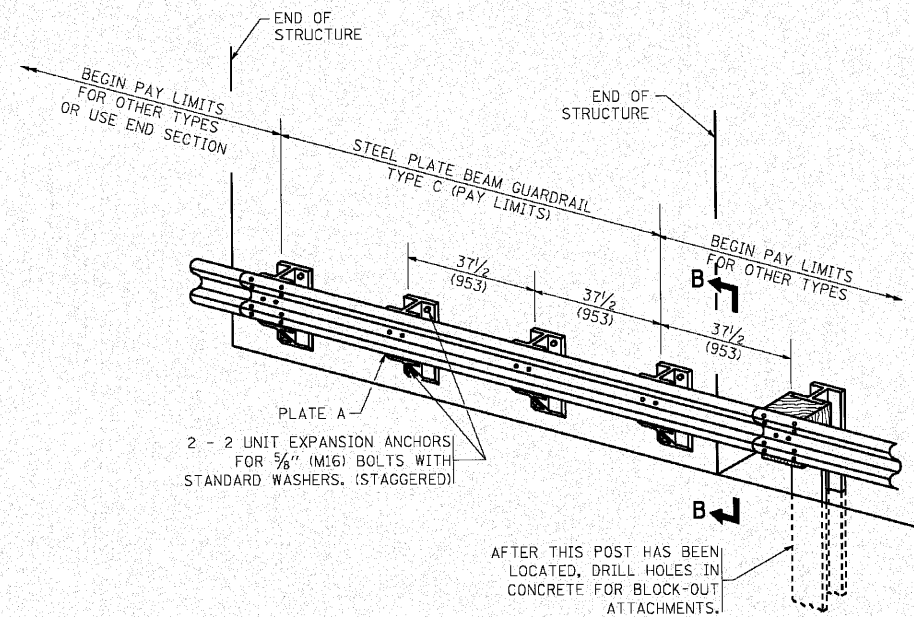
SECTION A-A



ELEVATION

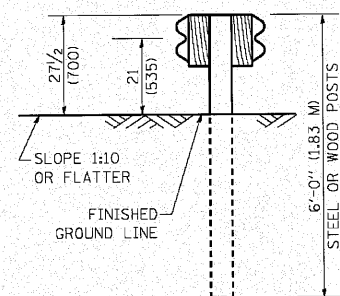
TYPE A

37 1/2 (953) CLOSED POST SPACING

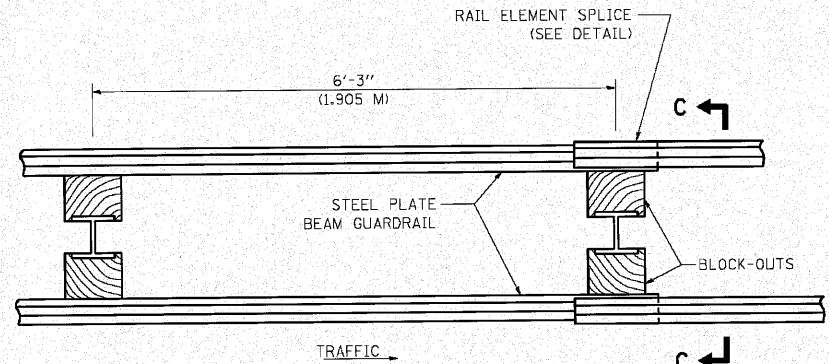


TYPE C

37 1/2 (953) BLOCK-OUT SPACING



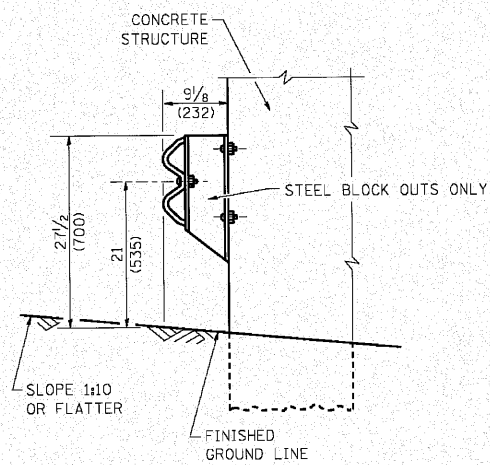
SECTION C-C



PLAN

TYPE D

DOUBLE STEEL PLATE BEAM GUARDRAIL
6'-3" (1.905 M) TYPICAL POST SPACING



SECTION B-B

GENERAL NOTES

ALL SLOPE RATIOS ARE EXPRESSED AS UNITS OF VERTICAL DISPLACEMENT TO UNITS OF HORIZONTAL DISPLACEMENT (V:H).
ALL DIMENSIONS ARE IN INCHES (MILLIMETERS) UNLESS OTHERWISE SHOWN.
THE EXISTING STEEL POSTS MAY BE DRILLED TO MATCH THE BOLT PATTERN SHOWN HEREIN FOR THE WOOD BLOCK-OUT, OR A NEW STEEL POST SHALL BE PROVIDED.
THIS DETAIL IS APPLICABLE TO THE GUARDRAIL SYSTEM USED PRIOR TO JANUARY 1, 2007. FOR DETAILS ON THE MIDWEST GUARDRAIL SYSTEM, SEE STANDARD 630001.

n:\p\13384\2-west\constrgm\del\del\13384\Detail\24d (Standard).dgn

ENGINEERING CONSULTANT
Clorba Group, Inc.
CONSULTING ENGINEERS
2007 West Champaign Parkway, Suite 402
Champaign, Illinois 61820
Phone: 217-244-1100 Fax: 217-244-1101
Email: info@clorba.com

USER NAME = gegl:anobt	DESIGNED -	REVISED - 10-31-06
PLDT SCALE = 50.0000' / IN.	DRAWN -	REVISED -
PLDT DATE = 1/4/2008	CHECKED -	REVISED -
	DATE -	REVISED -

**STATE OF ILLINOIS
DEPARTMENT OF TRANSPORTATION**

REMOVE AND REERECT STEEL PLATE BEAM GUARDRAIL			
SCALE: NONE	SHEET NO. 1 OF 4 SHEETS	STA.	TO STA.

F.A.I. RTE. 80	SECTION 99-5-Y	COUNTY WILL	TOTAL SHEETS 276	SHEET NO. 196
BM-21		CONTRACT NO. 60147		
FED. ROAD DIST. NO. 1 ILLINOIS FED. AID PROJECT				