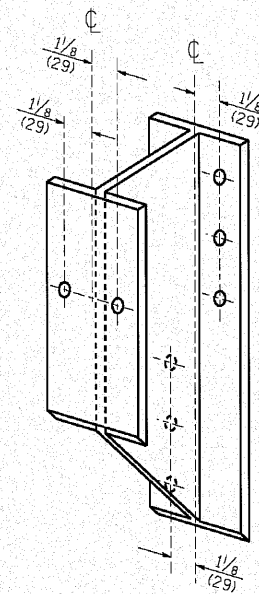
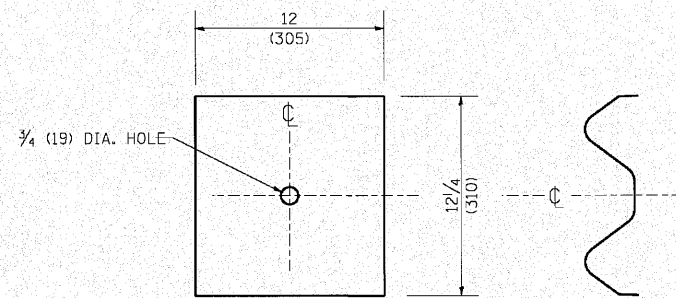


**STEEL POST CONSTRUCTION**



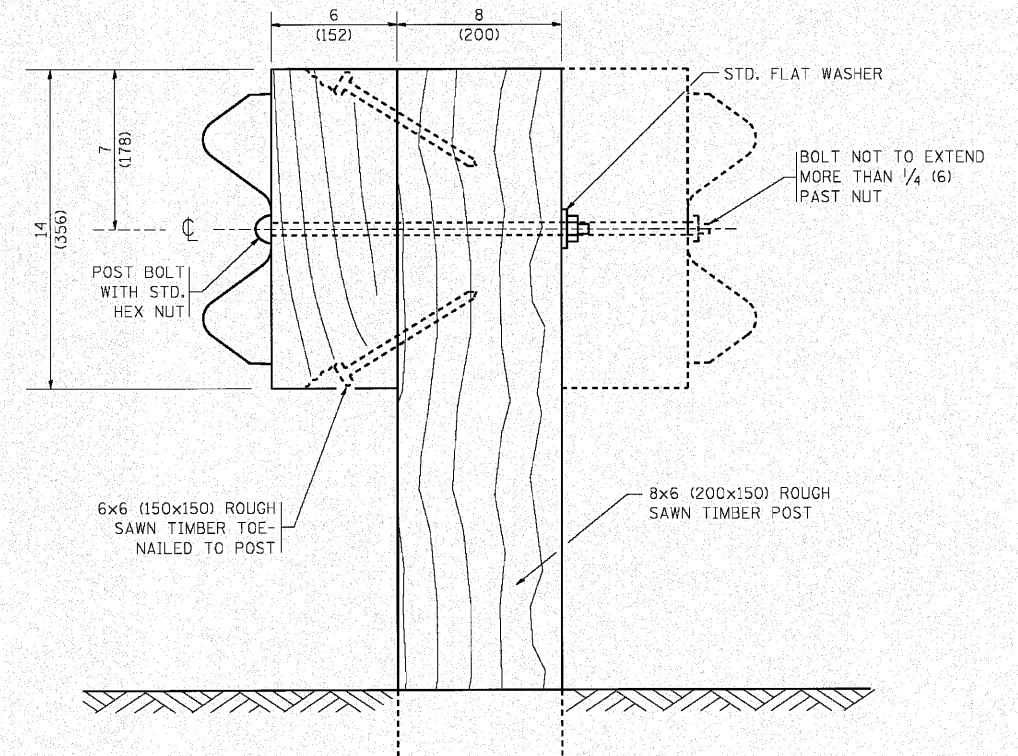
**STEEL BLOCK-OUT DETAIL**



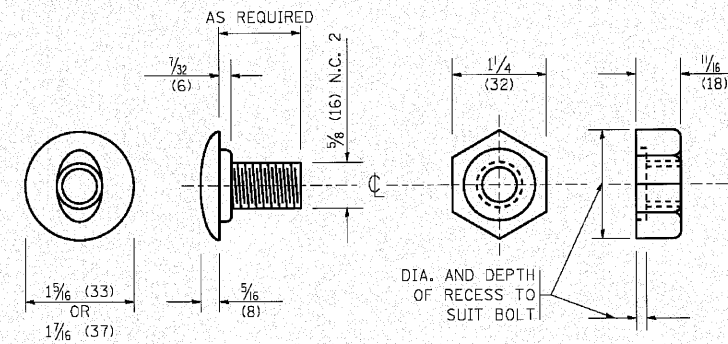
**NOTE:**

PLATE A SHALL BE PLACED BETWEEN RAIL ELEMENT AND BLOCK-OUT AT NON-SPLICE MOUNTING POINTS ONLY WHEN STEEL BLOCK-OUTS ARE USED.

**PLATE A**



**WOOD POST CONSTRUCTION**



**POST OR SPLICE BOLT & NUT**

c:\p\c\1338A\1338A.dwg

<p><b>ENGINEERING CONSULTANT</b>  <b>Corba Group, Inc.</b>          CONSULTING ENGINEERS          1001 NORTH CANTON STREET          CANTON, ILLINOIS 62401          TEL: 618/233-1000 FAX: 618/233-1001          WWW.CORBA-INC.COM</p>	USER NAME = gaglianobt	DESIGNED -	REVISED - 10-31-06	<b>STATE OF ILLINOIS</b> <b>DEPARTMENT OF TRANSPORTATION</b>	<b>REMOVE AND REERECT</b> <b>STEEL PLATE BEAM GUARDRAIL</b>		F.A. -	SECTION	COUNTY	TOTAL SHEETS	SHEET NO.
	PLOT SCALE = 5/8" = 1' IN.	DRAWN -	REVISED -		SCALE: NONE	SHEET NO. 2 OF 4 SHEETS	STA. TO STA.	80	99-5-Y	WILL	276
PLOT DATE = 1/4/2008	CHECKED -	REVISED -					<b>BM-21</b>		<b>CONTRACT NO. 60147</b>		
	DATE -	REVISED -					FED. ROAD DIST. NO. 1 ILLINOIS FED. AID PROJECT				