

Temporary Slab Support System
W36x182 (or equivalent) (Min. Sx = 623 in³)

1" ϕ ASTM A307 Threaded Rods with hex nuts and washers. For Hanger spacing see Longitudinal Section.

1/2" x 6" x 1'-6" Top & Bottom

Drill 1/4" ϕ hole on ϕ of 1/2" Plate for hanger rod

1/2" x 4" Bent \bar{L}

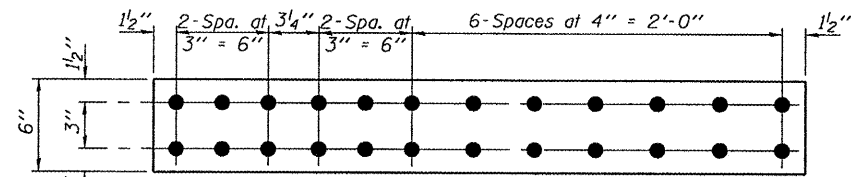
Oak Timbers

Oak Block

Drill Nail Holes in \bar{L} . Nail \bar{L} to Oak Block before erection

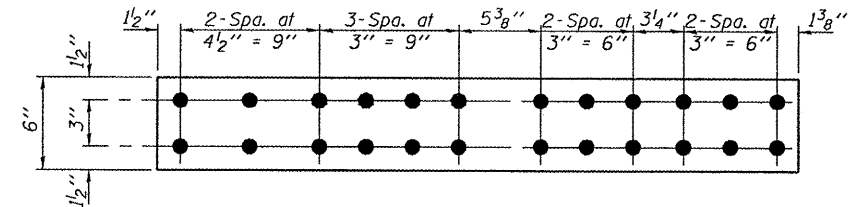
Beam 9 4'-10" 2'-0" Beam 10

SECTION A-A



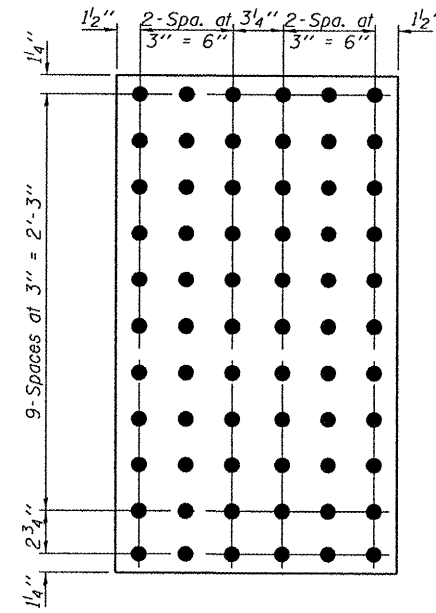
CONTINUITY PLATE "A"

3/8" x 6" x 3'-6 1/4" (2 Required)



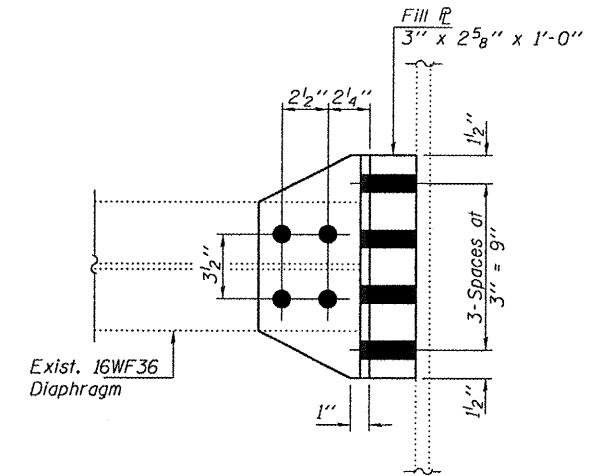
CONTINUITY PLATE "B"

3/8" x 6" x 3'-5 1/2" (2 Required)



WEB SPLICE PLATE

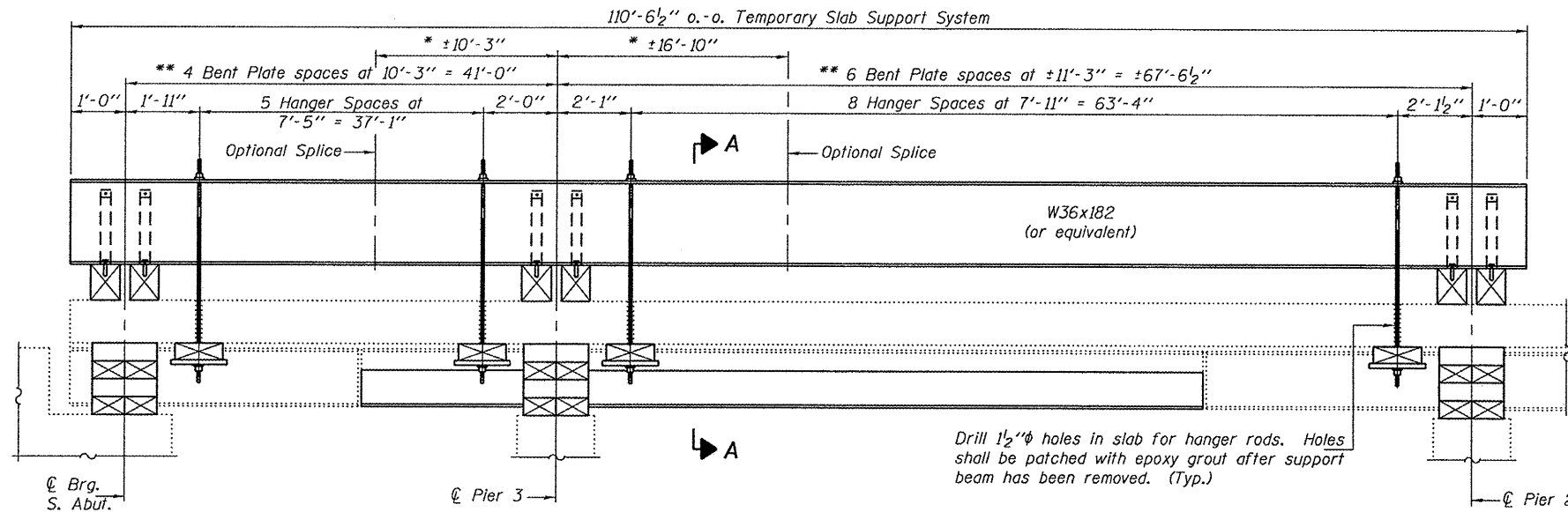
3/8" x 1'-6 1/4" x 2'-8 1/4" (N.T.R.) (2 Required)



TOP CLIP L DETAIL

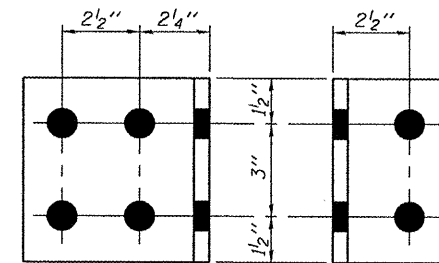
* These dimensions may vary for available beams in stock.

** Bent plates between supports to be placed after support beam deflects under its own weight.



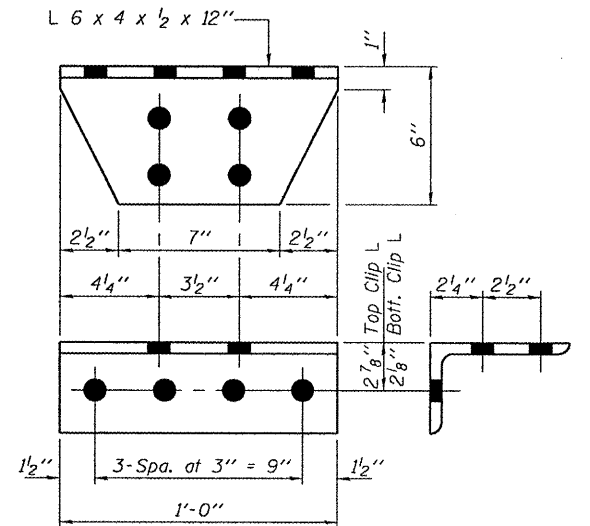
LONGITUDINAL SECTION
SUGGESTED TEMPORARY SLAB SUPPORT SYSTEM

Drill 1/2" ϕ holes in slab for hanger rods. Holes shall be patched with epoxy grout after support beam has been removed. (Typ.)



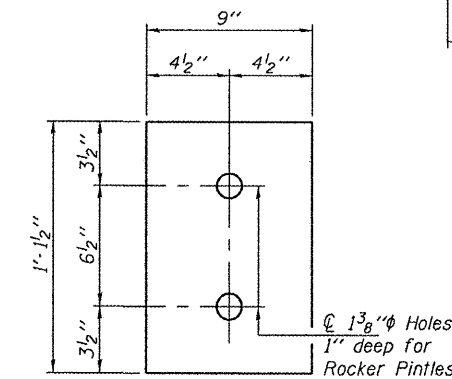
SIDE CLIP L

L 6 x 4 x 1/2 x 6" (4 Required)



TOP & BOTTOM CLIP ANGLES

(Top & Bottom Clip L's similar except as noted)
Top Clip L (1 Required)
Bottom Clip L (1 Required)



TOP BEARING \bar{P} AT PIER 3

1 1/16" x 9" x 1'-1 1/2" (1 Required)

DESIGNED - GCE	EXAMINED - <i>R. Carl Papp</i>	DATE - NOVEMBER 30, 2010
CHECKED - IJL	ENGINEER OF STRUCTURAL SERVICES	
DRAWN - Kyle M. Steffen	PASSED - <i>Ralph E. Anderson</i>	
CHECKED - GCE IJL	ENGINEER OF BRIDGES AND STRUCTURES	

DESIGNED - GCE	EXAMINED - <i>R. Carl Papp</i>	DATE - NOVEMBER 30, 2010
CHECKED - IJL	ENGINEER OF STRUCTURAL SERVICES	
DRAWN - Kyle M. Steffen	PASSED - <i>Ralph E. Anderson</i>	
CHECKED - GCE IJL	ENGINEER OF BRIDGES AND STRUCTURES	

STATE OF ILLINOIS
DEPARTMENT OF TRANSPORTATION

REPAIR DETAILS
SN 099-0175

SHEET NO. 3 OF 3 SHEETS

F.A.I. RTE.	SECTION	COUNTY	TOTAL SHEETS	SHEET NO.
80	2010-054 BR	WILL	13	10
			CONTRACT NO. 60L29	
ILLINOIS FED. AID PROJECT				