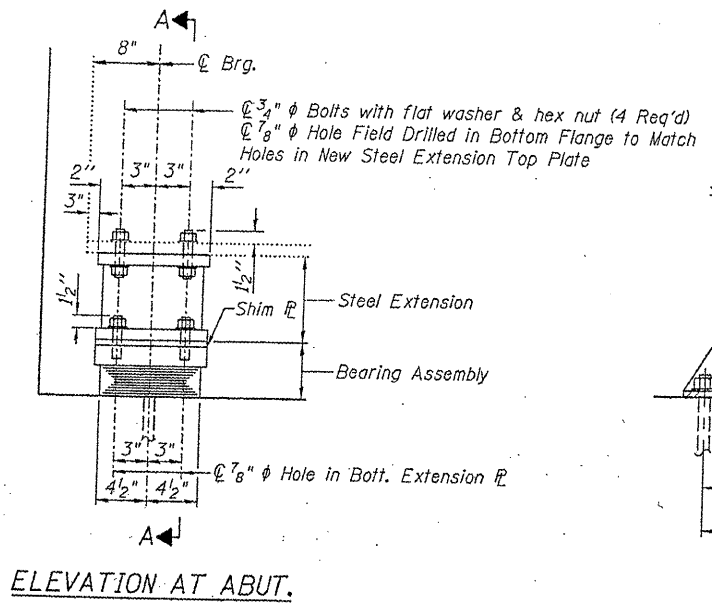
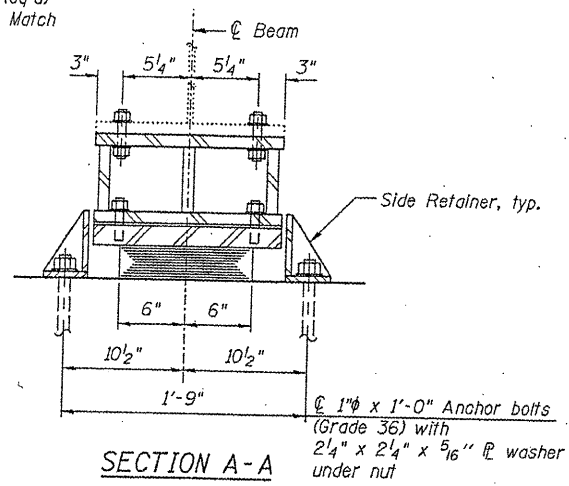


ROUTE	SECTION	COUNTY	TOTAL SHEETS	SHEET NUMBER
FAI 57	2010-087-BP	COOK & WILL	32	12

CONTRACT NO. 60L83

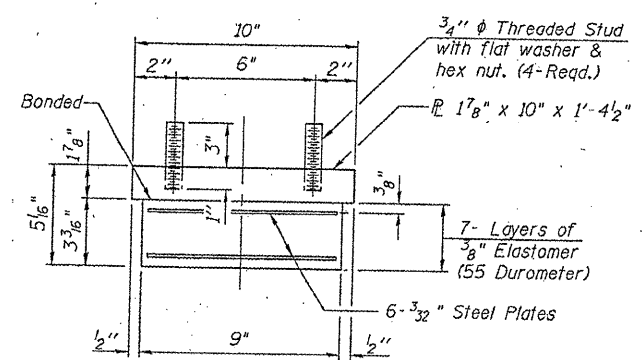


ELEVATION AT ABUT.

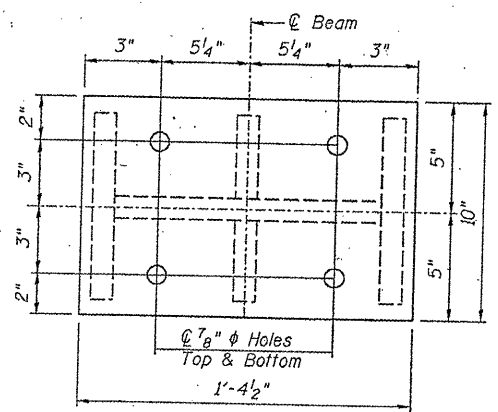


SECTION A-A

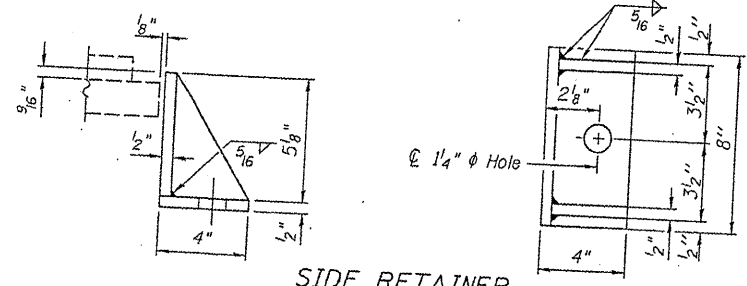
TYPE I ELASTOMERIC EXP. BRG.



BEARING ASSEMBLY

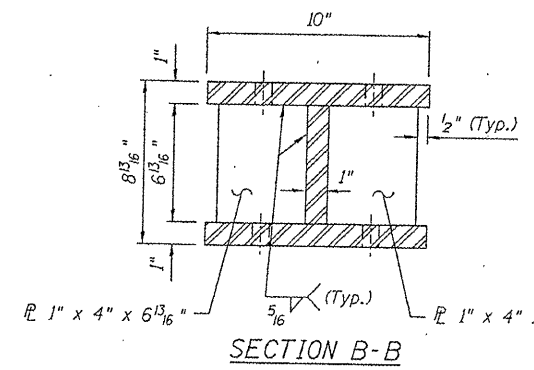


PLAN STEEL EXTENSION

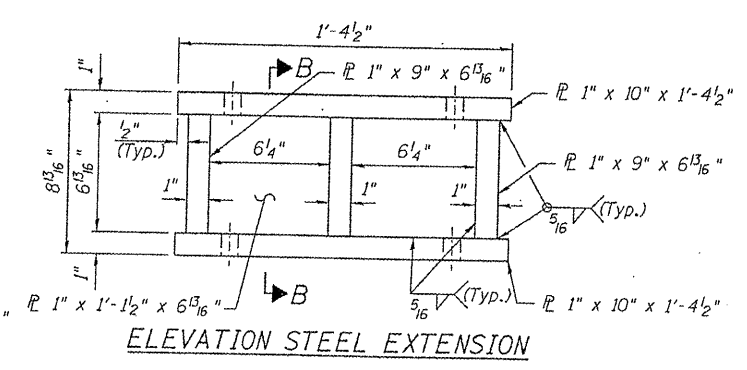


SIDE RETAINER
Equivalent rolled angle with stiffeners will be allowed in lieu of welded plates.

Note:
Shim plates shall not be placed under Bearing Assembly.



SECTION B-B



ELEVATION STEEL EXTENSION

ILLINOIS DEPARTMENT OF
TRANSPORTATION

EXISTING BRIDGE PLAN

SN 016-2030
GENOA ST. over I-57