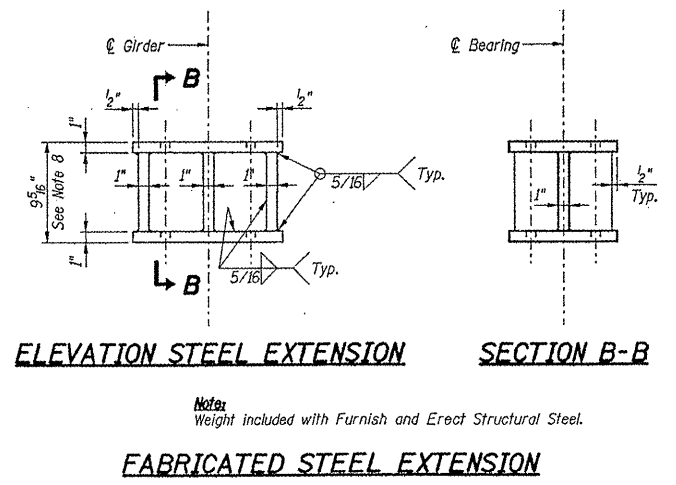
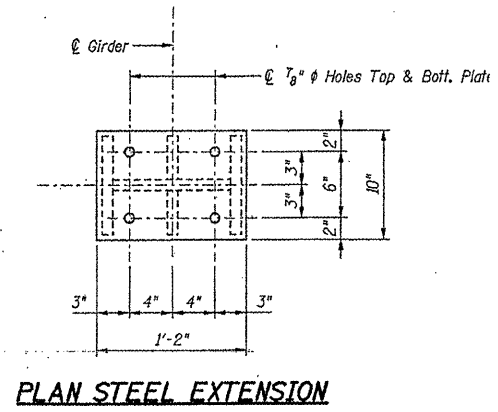
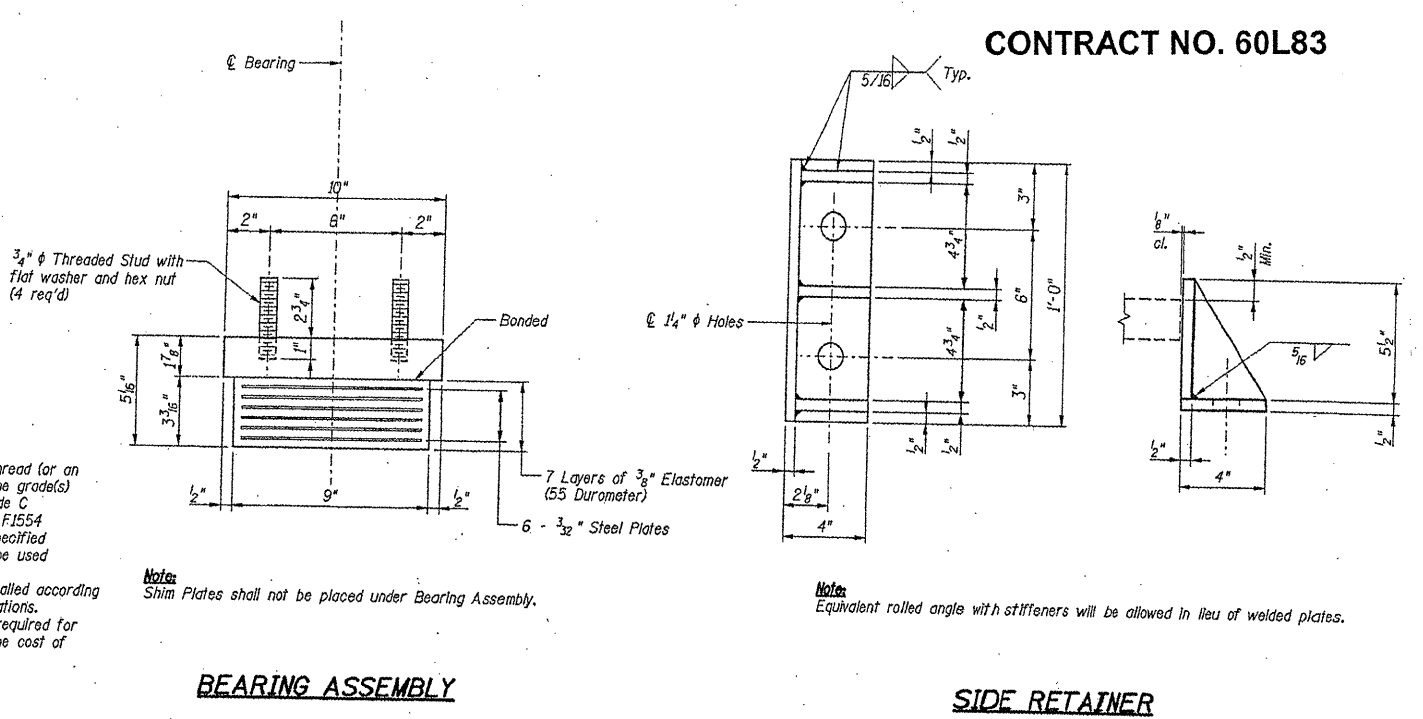
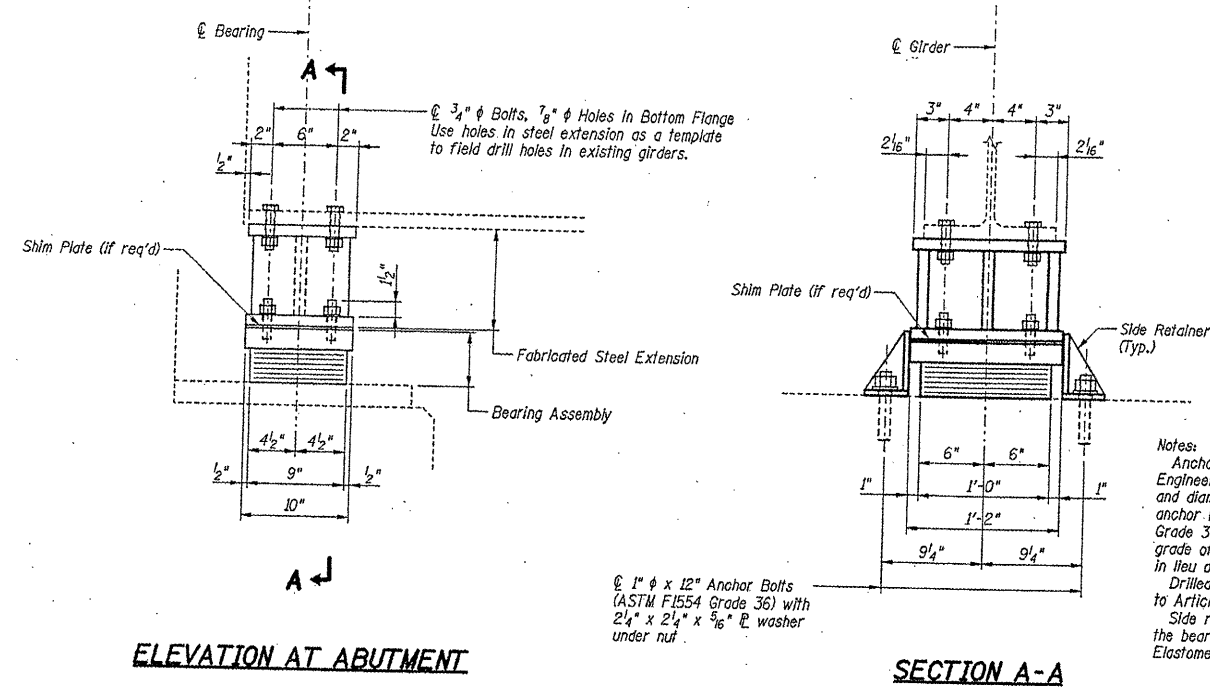


ROUTE FAI 57	SECTION 2010-087-BP	COUNTY COOK & WILL	TOTAL SHEETS 32	SHEET NUMBER 21
-----------------	------------------------	-----------------------	--------------------	--------------------

CONTRACT NO. 60L83



ILLINOIS DEPARTMENT OF
TRANSPORTATION

EXISTING BRIDGE PLAN

SN 016-0988
112th ST. over I-57