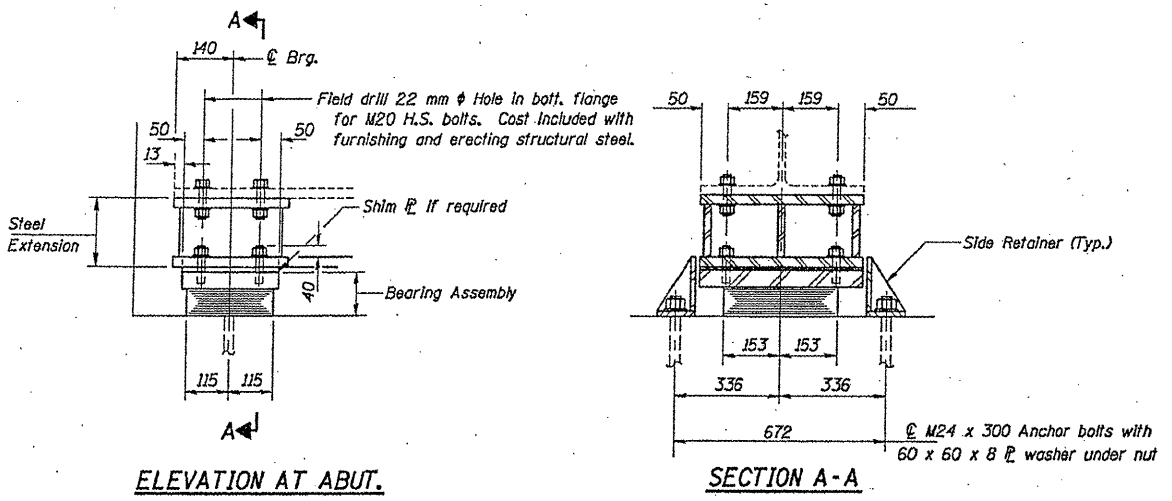
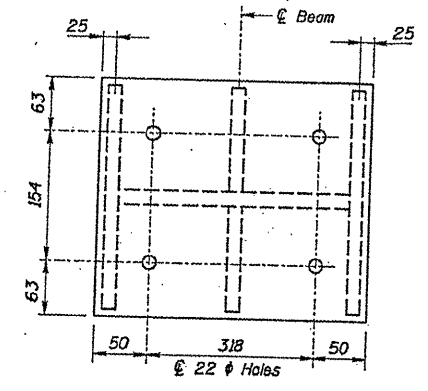


ROUTE	SECTION	COUNTY	TOTAL SHEETS	SHEET NUMBER
FAI 57	2010-087-BP	COOK & WILL	32	24

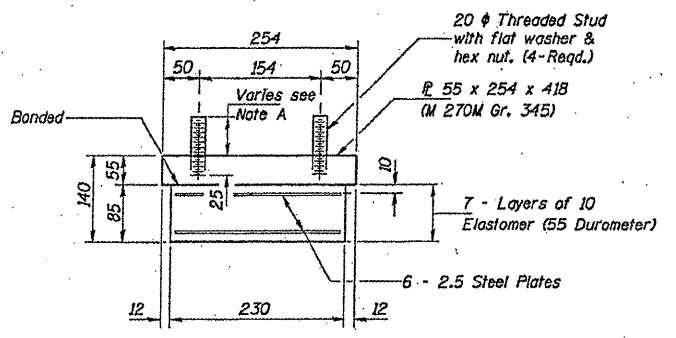
CONTRACT NO. 60L83



**TYPE I ELASTOMERIC EXP. BRG.**

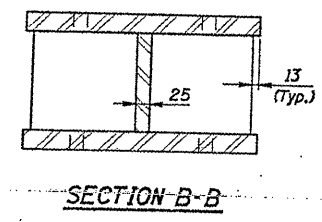


**PLAN STEEL EXTENSION**

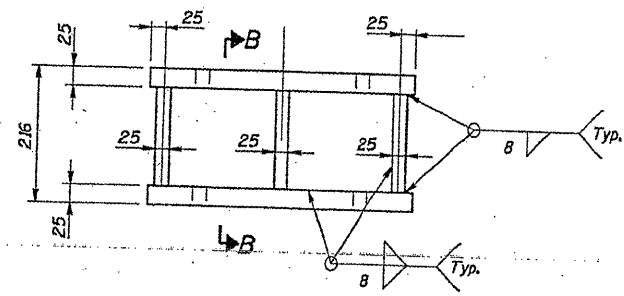


Notes:  
 Shim plates shall be the same length and width of the new elastomeric bearing top plate.  
 Shim plates shall not be placed under Bearing Assembly.

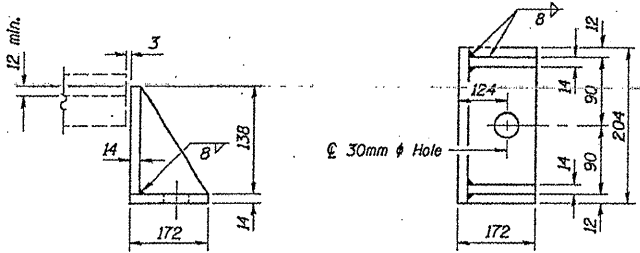
Note A:  
 Height of stud = 72 minimum plus shim plate thickness



**SECTION B-B**



Note:  
 Prior to ordering any material, the Contractor shall verify in the field all bearing height and shim thickness dimensions.



Equivalent rolled angle with stiffeners will be allowed in lieu of welded plates. Weight included with Structural Steel.

ILLINOIS DEPARTMENT OF  
 TRANSPORTATION

EXISTING BRIDGE PLAN

SN 016-2037  
 115<sup>th</sup> ST. over I-57