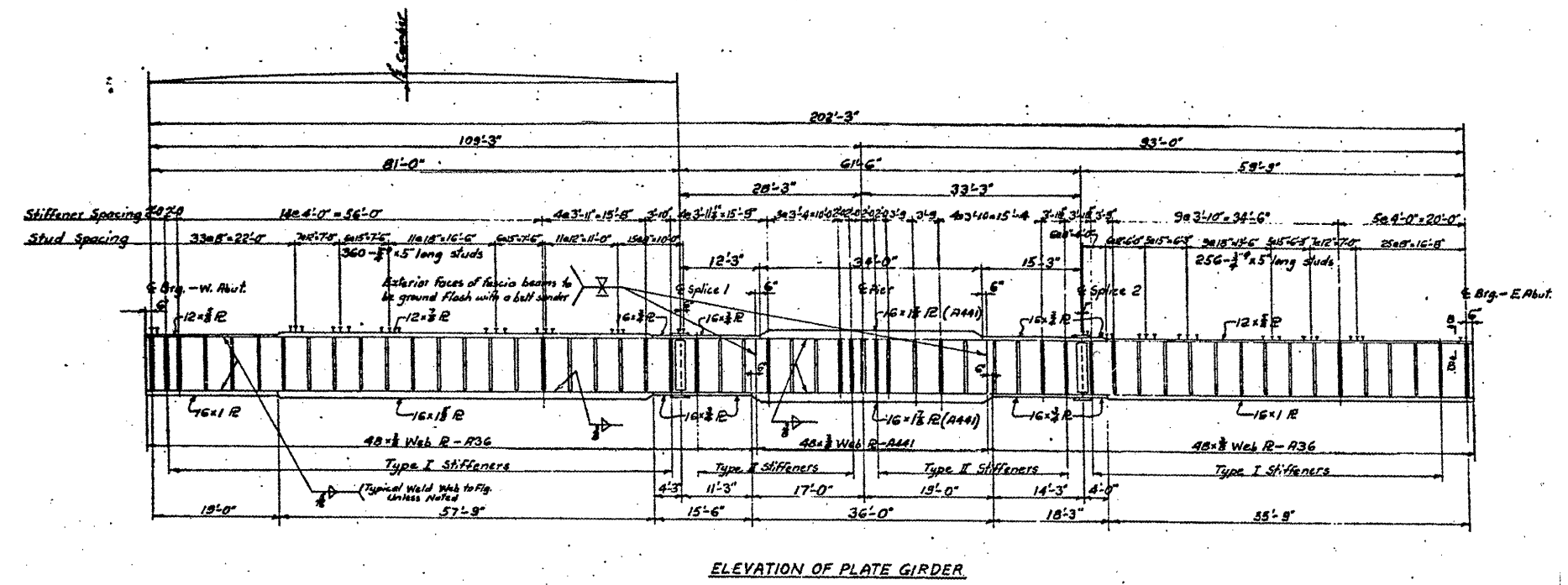
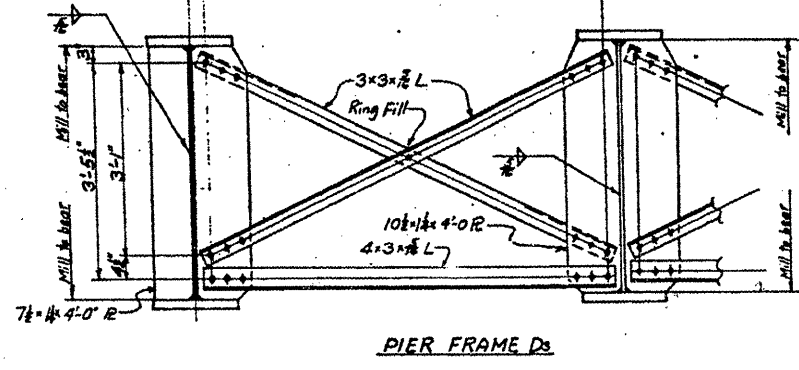
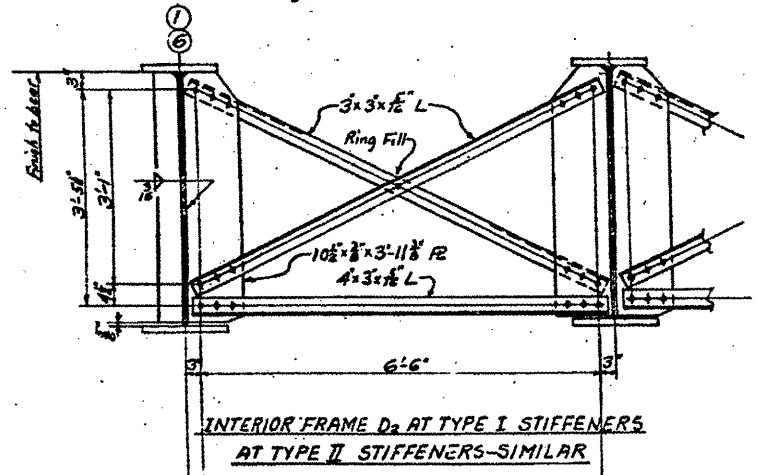
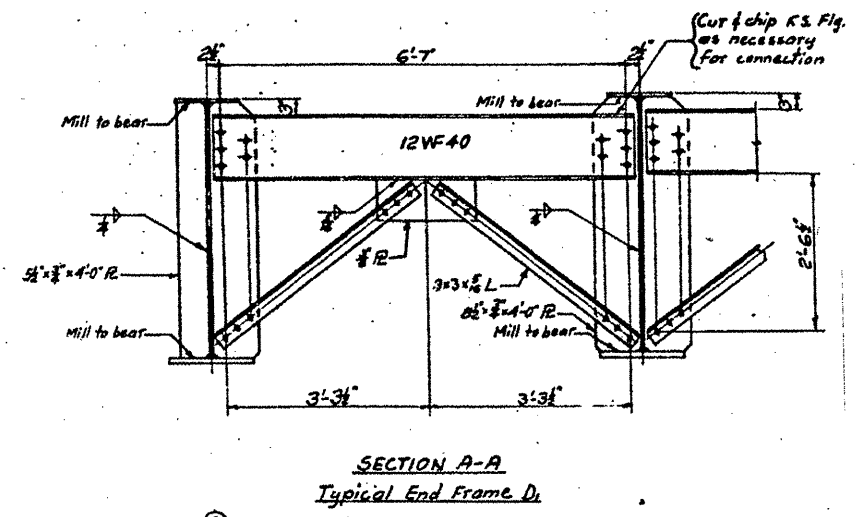


ROUTE	SECTION	COUNTY	TOTAL SHEETS	SHEET NUMBER
FAI 57	2010-087-BP	COOK & WILL	32	27

CONTRACT NO. 60L83



ILLINOIS DEPARTMENT OF
TRANSPORTATION
EXISTING BRIDGE PLAN

SN 016-2034
125th ST. over I-57