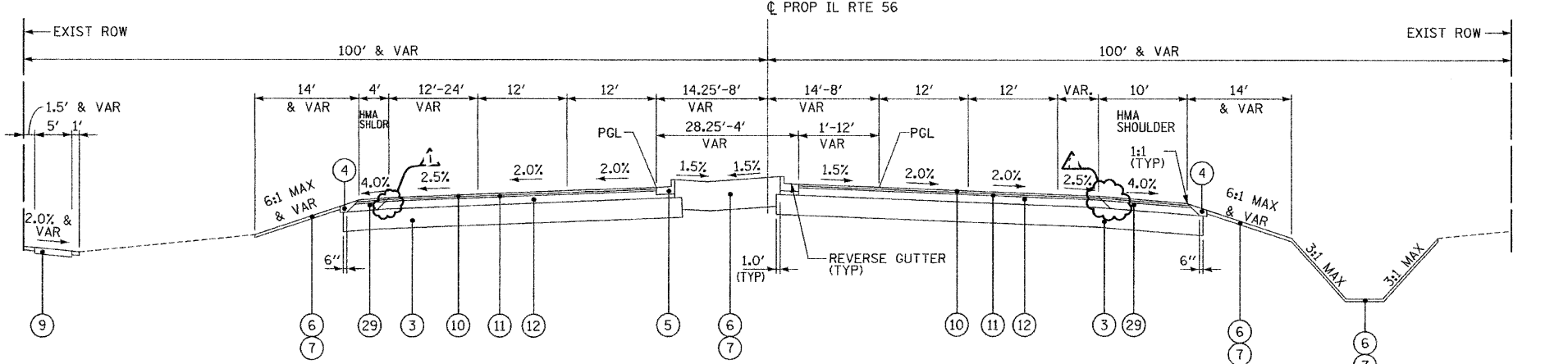
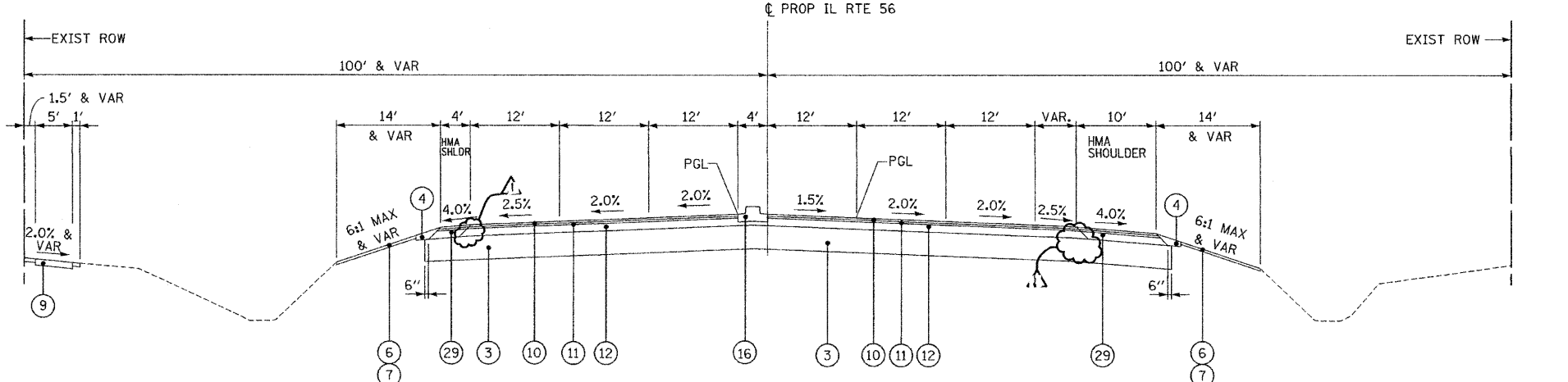


**PROPOSED TYPICAL SECTION  
IL RTE 56**  
STA. 380+29.65 TO STA. 411+00.00



**PROPOSED TYPICAL SECTION  
IL RTE 56**  
STA. 411+00.00 TO STA. 415+45.00



**PROPOSED TYPICAL SECTION  
IL RTE 56**  
STA. 415+45.00 TO STA. 417+54.70

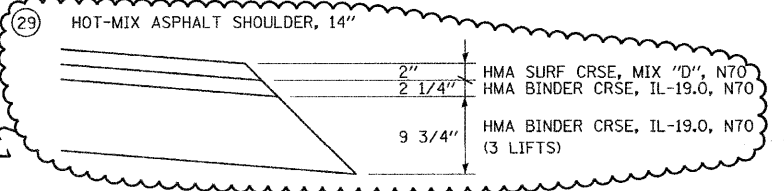
- LEGEND**
- ① POLYMERIZED HOT-MIX ASPHALT SURFACE COURSE, MIX "F", N90, 2"
  - ② POLYMERIZED HOT-MIX ASPHALT BINDER COURSE, IL-19, N90, 11"
  - ③ AGGREGATE SUBGRADE 12"
  - ④ AGGREGATE SHOULDER, TYPE B (2' WIDTH)
  - ⑤ COMBINATION CONCRETE CURB AND GUTTER, TYPE B-6.12
  - ⑥ TOPSOIL FURNISH AND PLACE (SEE LANDSCAPING PLANS FOR DEPTH)
  - ⑦ SEEDING, CLASS \_\_ AND EROSION CONTROL BLANKET (SEE LANDSCAPING PLANS FOR CLASS)
  - ⑧ HOT-MIX ASPHALT SHOULDERS, 8" (MINIMUM 2 LIFTS)
  - ⑨ PORTLAND CEMENT CONCRETE SIDEWALK, 5"
  - ⑩ POLYMERIZED HOT-MIX ASPHALT SURFACE COURSE, STONE MATRIX ASPHALT, N80, 2"
  - ⑪ POLYMERIZED HOT-MIX ASPHALT BINDER COURSE, STONE MATRIX ASPHALT, N80, 2"
  - ⑫ POLYMERIZED HOT-MIX ASPHALT BINDER COURSE, IL 19.0, N90, 10"
  - ⑬ NOT USED
  - ⑭ CONCRETE GUTTER, TYPE A
  - ⑮ NOT USED
  - ⑯ CONCRETE MEDIAN, TYPE SB-6.12
  - ⑰ SODDING (SALT TOLERANT)
  - ⑱ COMBINATION CONCRETE CURB AND GUTTER, TYPE B-6.24
  - ⑲ COMBINATION CONCRETE CURB AND GUTTER, TYPE B-6.18
  - ⑳ HOT-MIX ASPHALT SURFACE COURSE, MIX "C", N50, 1 1/2"
  - ㉑ HOT-MIX BINDER COURSE, IL-19.0, N50, 3"
  - ㉒ AGGREGATE SUBGRADE 16"
  - ㉓ AGGREGATE BASE COURSE TYPE B, 6"
  - ㉔ GEOTECHNICAL FABRIC FOR GROUND STABILIZATION
  - ㉕ COMPACTED LIMESTONE SCREENINGS (FA, 5), 2"
  - ㉖ COMBINATION CONCRETE CURB AND GUTTER, TYPE M-2.12
  - ㉗ HOT-MIX ASPHALT BASE COURSE WIDENING 11"
  - ㉘ TOPSOIL EXCAVATION AND PLACEMENT (6")
  - ㉙ HOT-MIX ASPHALT SHOULDERS, 14"
  - ㉚ AGGREGATE BASE COURSE TYPE B

ITEMS ① & ② SHALL BE COMBINED AND PAID FOR AS HOT-MIX ASPHALT PAVEMENT (FULL DEPTH) 13" FOR HERRICK RD AND NAPERVILLE RD UNLESS OTHERWISE NOTED.

ITEM ① SHALL BE USED FOR BITUMINOUS RESURFACING ON WIESBROOK RD AND WILL BE PAID FOR AS POLYMERIZED HOT-MIX ASPHALT SURFACE COURSE, MIX "F", N90

ITEMS ⑳, ㉑ & ㉒ SHALL BE COMBINED AND PAID FOR AS AGGREGATE PATH 8"

HOT-MIX ASPHALT BINDER COURSE, IL-19, N90 PLACED UNDER COMBINATION CONCRETE CURB AND GUTTER AND CONCRETE MEDIAN IS INCLUDED IN THE COST OF THESE PAY ITEMS.



\* SEE SHEET 23 FOR TURN LANE SECTIONS AND LOCATIONS

FILE NAME = ... \D162419_Prop_Typ_IL56_02.dgn	DESIGNED - JMM	REVISED - ADDENDUM A -1/4/11	<b>benesch</b>	<b>STATE OF ILLINOIS DEPARTMENT OF TRANSPORTATION</b>	<b>PROPOSED TYPICAL SECTIONS IL RTE 56</b>	F.A.P. RTE. 365	SECTION (57 & 58)WRS-2	COUNTY DUPAGE	TOTAL SHEETS 681	SHEET NO. 22		
USER NAME = tmlenk	DRAWN - TMB	REVISED - ADDENDUM A -1/10/11				SCALE: N.T.S.	SHEET NO. 6 OF 14 SHEETS	STA. TO STA.	ILLINOIS FED. AID PROJECT			
PLOT DATE = 1/10/2011	CHECKED - RMT	REVISED -				CONTRACT NO. 62419						