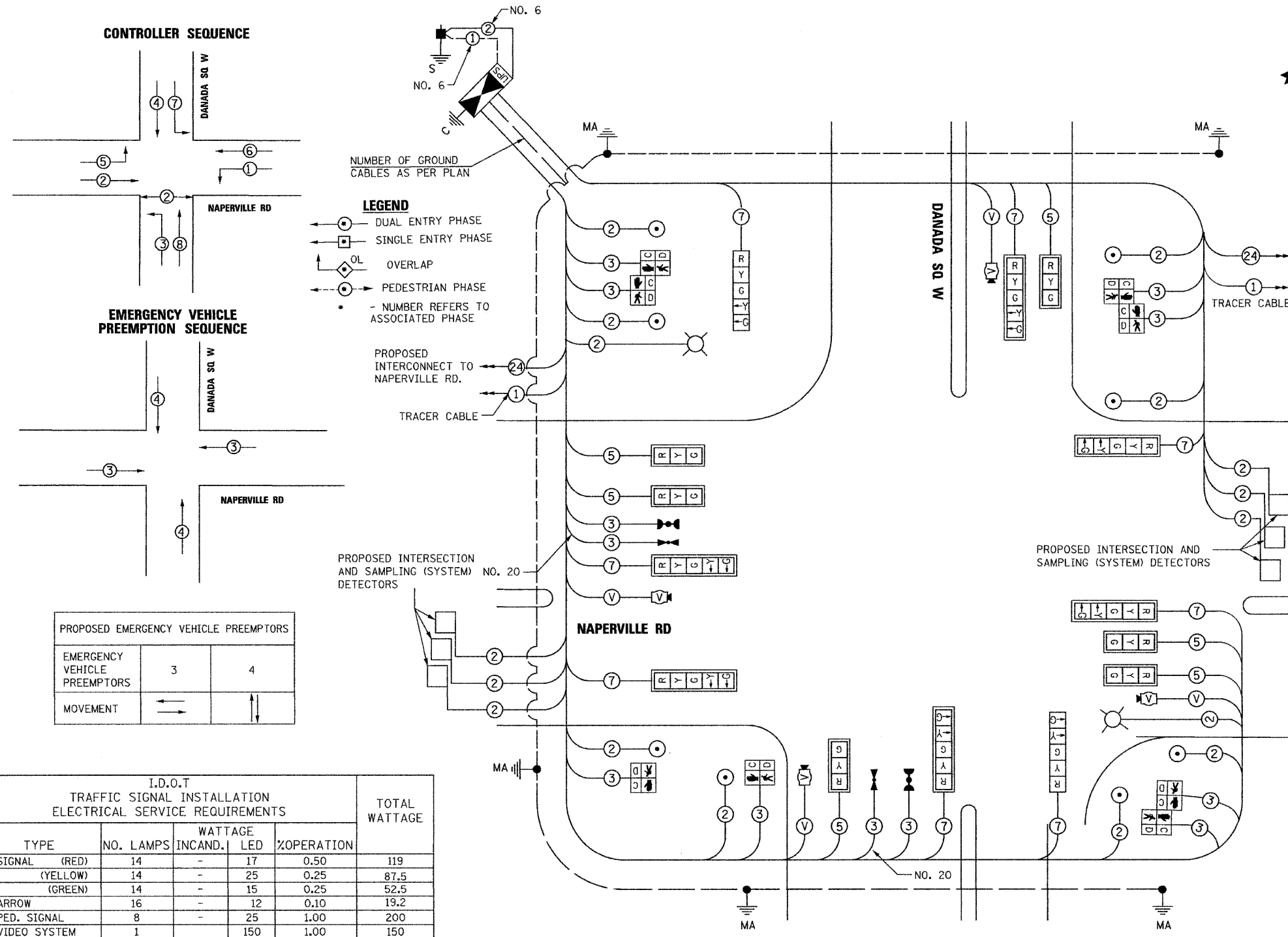
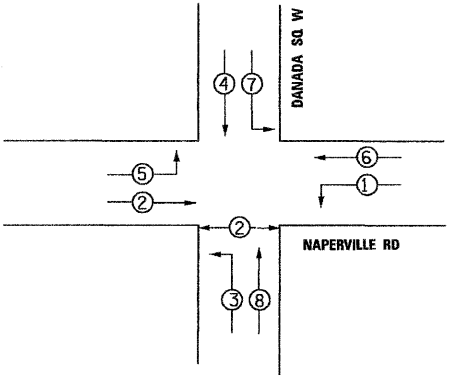


**NOTE:**  
THE TRAFFIC SIGNAL CONTROLLER EQUIPMENT FOR THIS PROJECT SHALL BE "ECONOLITE" TO MATCH THE EXISTING ADJACENT SYSTEM.

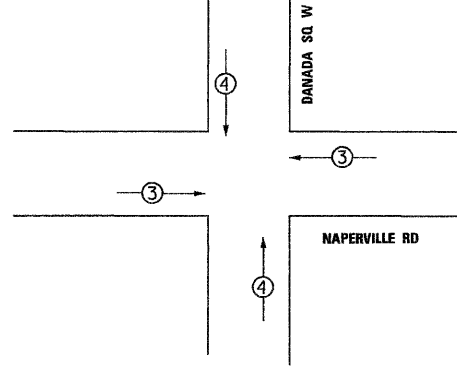
THE END OF THE TRACER CABLE SHALL BE CONTINUOUS AND EXTEND INTO THE CONTROLLER CABINET.



**CONTROLLER SEQUENCE**



**EMERGENCY VEHICLE PREEMPTION SEQUENCE**



**LEGEND**  
 ○ DUAL ENTRY PHASE  
 □ SINGLE ENTRY PHASE  
 OL OVERLAP  
 ○ PEDESTRIAN PHASE  
 \* NUMBER REFERS TO ASSOCIATED PHASE

PROPOSED EMERGENCY VEHICLE PREEMPTORS		
EMERGENCY VEHICLE PREEMPTORS	3	4
MOVEMENT	← →	↑ ↓

I.D.O.T TRAFFIC SIGNAL INSTALLATION ELECTRICAL SERVICE REQUIREMENTS					TOTAL WATTAGE
TYPE	NO. LAMPS	WATTAGE INCAND.	LED	%OPERATION	
SIGNAL (RED)	14	-	17	0.50	119
(YELLOW)	14	-	25	0.25	87.5
(GREEN)	14	-	15	0.25	52.5
ARROW	16	-	12	0.10	19.2
PED. SIGNAL	8	-	25	1.00	200
VIDEO SYSTEM	1	-	150	1.00	150
CONTROLLER	1	-	100	1.00	100
STREET LIGHTS	2	310	-	0.50	310
FLASHER	-	-	-	0.50	-

ENERGY COSTS TO: TOTAL = 1038.2

DUPAGE COUNTY DIVISION OF TRANSPORTATION  
 421 W. COUNTY FARM RD  
 WHEATON, ILLINOIS 60187  
 ENERGY SUPPLY CONTACT: JOSEPH STACHO  
 PHONE: 630-424-5704  
 COMPANY: COMED

SUMMARY OF QUANTITIES		
DESCRIPTION	UNIT	TOTAL QUANTITY
DETECTABLE WARNINGS	SQ.FT	41
SIGN PANEL - TYPE 1	SQ.FT	32
CONDUIT IN TRENCH, 2" DIA., GALVANIZED STEEL	FOOT	466
CONDUIT IN TRENCH, 3" DIA., GALVANIZED STEEL	FOOT	55
CONDUIT IN TRENCH, 3 1/2" DIA., GALVANIZED STEEL	FOOT	27
CONDUIT IN TRENCH, 4" DIA., GALVANIZED STEEL	FOOT	20
CONDUIT PUSHED, 2" DIA., GALVANIZED STEEL	FOOT	215
CONDUIT PUSHED, 4" DIA., GALVANIZED STEEL	FOOT	405
HANDHOLE	EACH	5
DOUBLE HANDHOLE	EACH	1
TRENCH AND BACKFILL FOR ELECTRICAL WORK	FOOT	567
LUMINAIRE, SODIUM VAPOR, HORIZONTAL MOUNT, 310 WATT	EACH	2
FULL-ACTUATED CONTROLLER AND TYPE IV CABINET, SPECIAL	EACH	1
TRANSCEIVER - FIBER OPTIC	EACH	1
ELECTRIC CABLE IN CONDUIT, SIGNAL NO. 14 2C	FOOT	1,570
ELECTRIC CABLE IN CONDUIT, SIGNAL NO. 14 3C	FOOT	2,115
ELECTRIC CABLE IN CONDUIT, SIGNAL NO. 14 5C	FOOT	1,213
ELECTRIC CABLE IN CONDUIT, SIGNAL NO. 14 7C	FOOT	1,440
ELECTRIC CABLE IN CONDUIT, LEAD-IN, NO. 14, 1 PR	FOOT	804
ELECTRIC CABLE IN CONDUIT, COMMUNICATION, NO. 16, 6 PAIR	FOOT	843
ELECTRIC CABLE IN CONDUIT, SERVICE, NO. 6 2C	FOOT	150
STEEL MAST ARM ASSEMBLY AND POLE, 16 FT.	EACH	1
STEEL MAST ARM ASSEMBLY AND POLE, 38 FT.	EACH	1
STEEL MAST ARM ASSEMBLY AND POLE WITH DUAL MAST ARMS, 38 FT. AND 44 FT.	EACH	1
STEEL COMBINATION MAST ARM ASSEMBLY AND POLE, 54 FT.	EACH	1
STEEL COMBINATION MAST ARM ASSEMBLY AND POLE, 64 FT.	EACH	1
CONCRETE FOUNDATION, TYPE C	FOOT	4
CONCRETE FOUNDATION, TYPE E 30-INCH DIAMETER	FOOT	10
CONCRETE FOUNDATION, TYPE E 36-INCH DIAMETER	FOOT	40
CONCRETE FOUNDATION, TYPE E 42-INCH DIAMETER	FOOT	21
SIGNAL HEAD LED 1-FACE 3-SECTION MAST ARM MOUNTED	EACH	6
SIGNAL HEAD LED 1-FACE 5-SECTION BRACKET MOUNTED	EACH	2
SIGNAL HEAD LED 1-FACE 5-SECTION MAST ARM MOUNTED	EACH	6
PEDESTRIAN SIGNAL HEAD, LED, 1-FACE, BRACKET MOUNTED WITH COUNTDOWN TIMER	EACH	2
PEDESTRIAN SIGNAL HEAD, LED, 2-FACE, BRACKET MOUNTED WITH COUNTDOWN TIMER	EACH	3
TRAFFIC SIGNAL BACKPLATE, LOUVERED, ALUMINUM	EACH	12
INDUCTIVE LOOP DETECTOR	EACH	6
DETECTOR LOOP, TYPE I	FOOT	221
LIGHT DETECTOR	EACH	2
LIGHT DETECTOR AMPLIFIER	EACH	1
PEDESTRIAN PUSH-BUTTON	EACH	8
TEMPORARY TRAFFIC SIGNAL INSTALLATION	EACH	1
REMOVE EXISTING TRAFFIC SIGNAL EQUIPMENT	EACH	1
REMOVE EXISTING HANDHOLE	EACH	2
REMOVE EXISTING CONCRETE FOUNDATION	EACH	8
VIDEO VEHICLE DETECTION SYSTEM	EACH	1
VIDEO VEHICLE DETECTION, 1 CAMERA	EACH	4
TEMPORARY TRAFFIC SIGNAL TIMING	EACH	1
SERVICE INSTALLATION - POLE MOUNTED	EACH	1
UNINTERRUPTIBLE POWER SUPPLY	EACH	1
ELECTRIC CABLE IN CONDUIT, GROUNDING, NO. 6 1C	FOOT	718
ELECTRIC CABLE IN CONDUIT, NO. 20 3C TWISTED SHIELDED	FOOT	215
ELECTRIC CABLE IN CONDUIT, COAXIAL	FOOT	843

FILE NAME =	DESIGNED - GHT	REVISED - ADDENDUM -1/4/11
...dt62419-ah1-ts-cable&ph5vdgn	DRAWN - BDW	REVISED -
USER NAME = jmajewski	CHECKED - MPM	REVISED -
PLOT DATE = 1/3/2011	DATE - 12/6/10	REVISED -

**benesch**

STATE OF ILLINOIS  
DEPARTMENT OF TRANSPORTATION

SCHEDULE OF QUANTITIES, CABLE PLAN  
PHASE DESIGNATION AND EVP SEQUENCE  
NAPERVILLE RD AND DANADA SQ

F.A.P. RTE.	SECTION	COUNTY	TOTAL SHEETS	SHEET NO.
365	(57 & 58)WRS-2	DUPAGE	681	368
CONTRACT NO. 62419			ILLINOIS FED. AID PROJECT	

SCALE: NTS SHEET NO.25 OF 27 SHEETS STA. TO STA.