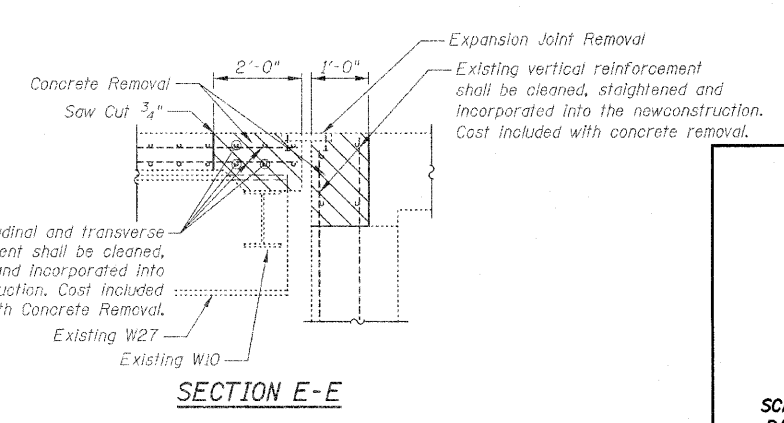
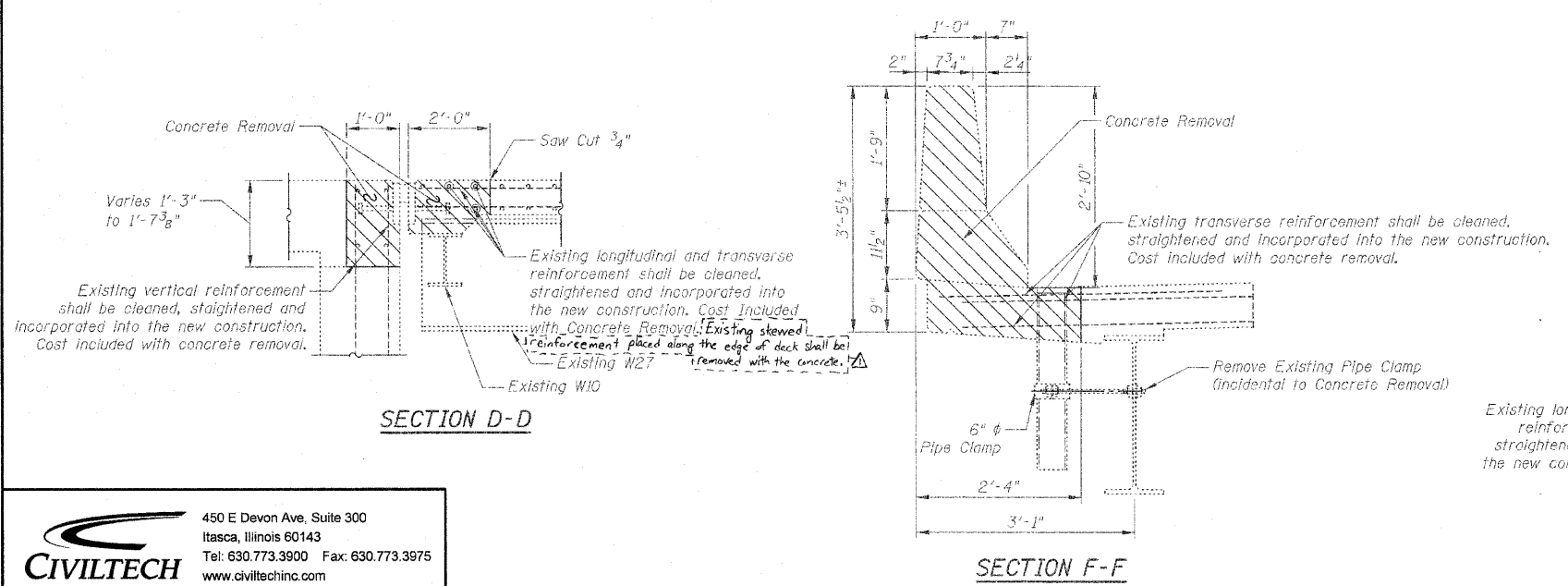


ABUTMENT & WINGWALL CONCRETE REMOVAL

Indicates limits of Concrete Removal

BILL OF MATERIAL

Item	Unit	Total
Concrete Removal	Cu. Yd.	76



STATE OF ILLINOIS
DEPARTMENT OF TRANSPORTATION
CONCRETE REMOVAL DETAILS
U.S. RTE. 30 OVER HICKORY CREEK
STATION 493+89.73
STRUCTURE NUMBER 099-0311

SCALE: None
DATE: June 11, 2010

DRAWN BY: C. Cooney
CHECKED BY: G. Hatlestad

S7 OF S26

Revised 01-03-2011