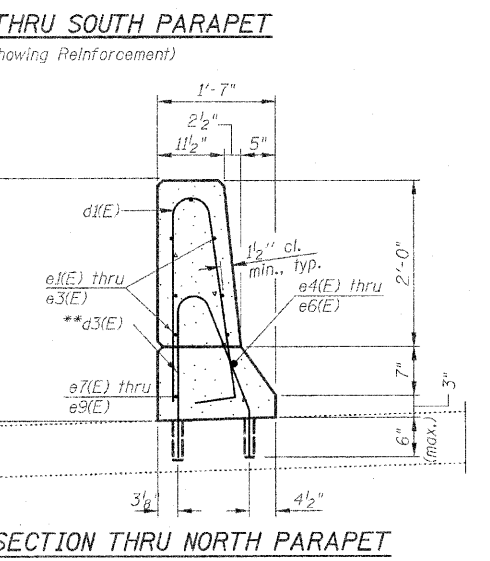
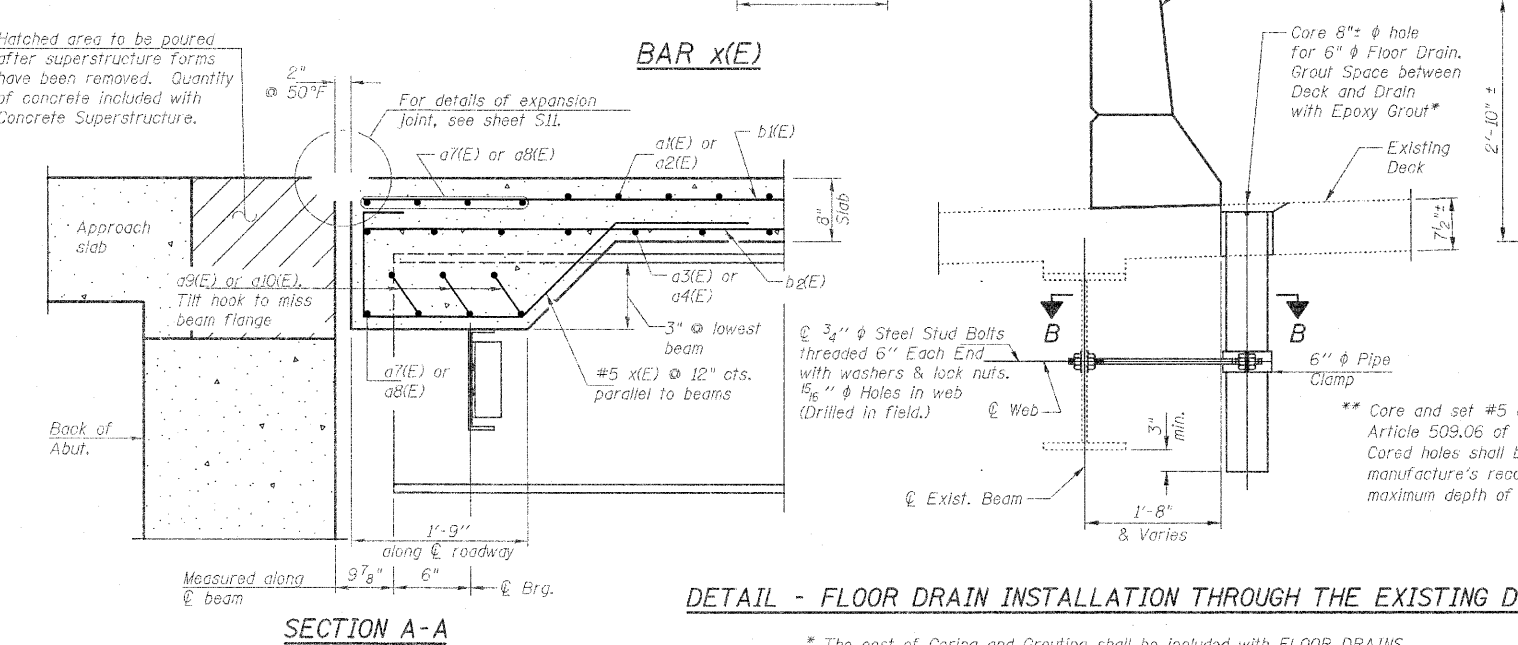
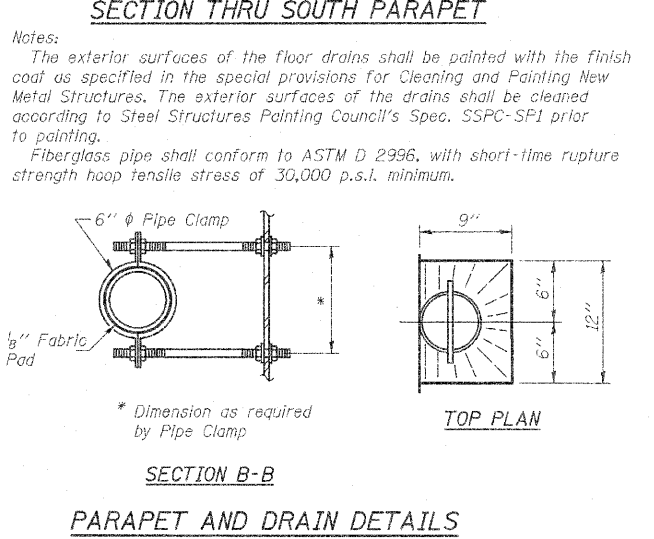


SUPERSTRUCTURE BILL OF MATERIAL

Bar	No.	Size	Length	Shape
a1(E)	247	#5	25'-6"	
a2(E)	245	#5	18'-6"	
a3(E)	185	#5	28'-5"	
a4(E)	185	#5	15'-5"	
a5(E)	124	#6	6'-0"	
a6(E)	431	#5	10'-7"	
a7(E)	20	#5	31'-2"	
a8(E)	20	#5	28'-0"	
a9(E)	30	#5	8'-6"	
a10(E)	24	#5	6'-5"	
b1(E)	392	#5	24'-0"	
b2(E)	312	#5	27'-8"	
b3(E)	106	#6	30'-10"	
b4(E)	78	#5	32'-8"	
c1(E)	51	#5	17'-7"	
c2(E)	93	#5	10'-0"	
c3(E)	99	#5	8'-3"	
c4(E)	3	#5	13'-0"	
c5(E)	185	#5	1'-4 1/2"	
c6(E)	121	#5	1'-8 1/2"	
d1(E)	338	#5	5'-7"	
d2(E)	169	#5	7'-8"	
d3(E)	169	#5	4'-7 1/2"	
e1(E)	84	#4	14'-4"	
e2(E)	56	#4	6'-8"	
e3(E)	28	#4	19'-2"	
e4(E)	8	#8	23'-7"	
e5(E)	8	#8	6'-8"	
e6(E)	4	#8	21'-1"	
e7(E)	8	#4	23'-0"	
e8(E)	8	#4	6'-8"	
e9(E)	4	#4	20'-0"	
e10(E)	6	#4	2'-8"	
x(E)	92	#5	6'-5"	
Floor Drains	Each		21	
Concrete Superstructure	Cu. Yds.		308.4	
Bridge Deck Grooving	Sq. Yds.		447	
Protective Coat	Sq. Yds.		1,116	
Reinforcement Bars, Epoxy Coated	Pound		64,570	



STATE OF ILLINOIS
 DEPARTMENT OF TRANSPORTATION
 PARAPET AND DECK DETAILS
 U.S. RTE. 30 OVER HICKORY CREEK
 STATION 493+89.73
 STRUCTURE NUMBER 099-0311

SCALE: None
 DATE: June 11, 2010
 DRAWN BY: C. Cooney
 CHECKED BY: G. Halstead

Revised 01-03-2011

* The cost of Coring and Grouting shall be included with FLOOR DRAINS.