

F.A.P. RTE.	SECTION	COUNTY	TOTAL SHEETS	SHEET NO.
353	(12&13)WRS-3	WILL	1235	591
STA.	TO STA.			
FED. ROAD DIST. NO.	BLANKET	FED. AID PROJECT		

CONTRACT NO. 62479

SCHEDULE OF QUANTITIES

ITEM	UNIT	QUANTITY
CONDUIT IN TRENCH, 2" DIA., GALVANIZED STEEL	FOOT	9718
CONDUIT PUSHED, 2" DIA., GALVANIZED STEEL	FOOT	1749
HANDHOLE	EACH	17
TRENCH AND BACKFILL FOR ELECTRICAL WORK	FOOT	9718
TRANSCEIVER - FIBER OPTIC	EACH	3
DRILL EXISTING HANDHOLE	EACH	3
RE-OPTIMIZE TRAFFIC SIGNAL SYSTEM LEVEL 2	EACH	1
ELECTRIC CABLE IN CONDUIT, TRACER, NO. 14 1C	FOOT	13680
FIBER OPTIC CABLE IN CONDUIT, NO. 62.5/125, MM12F SM12F	FOOT	13749

THE EXISTING MASTER CONTROLLER AT US 30 & WOLF RD NEEDS TO BE CHANGED OUT FROM "EAGLE" TO "ECONOLITE". THE FOLLOWING PAY ITEMS HAVE BEEN ADDED TO THE CONTRACT FOR THIS WORK:

85000200	MAINTENANCE OF EXISTING TRAFFIC SIGNAL INSTALLATION	1	EACH
85700205	FULL-ACTUATED CONTROLLER AND TYPE IV CABINET, SPECIAL	1	EACH
88500100	INDUCTIVE LOOP DETECTOR	10	EACH
89501410	RELOCATE EXISTING EMERGENCY VEHICLE PRIORITY SYSTEM PHASING UNIT	1	EACH
89502375	REMOVE EXISTING TRAFFIC SIGNAL EQUIPMENT	1	EACH

THE EXISTING MASTER CONTROLLER AT WOLF RD & MOKENA MARKET PLACE NEEDS TO BE CHANGED OUT FROM "EAGLE" TO "ECONOLITE". THE FOLLOWING PAY ITEMS HAVE BEEN ADDED TO THE CONTRACT FOR THIS WORK:

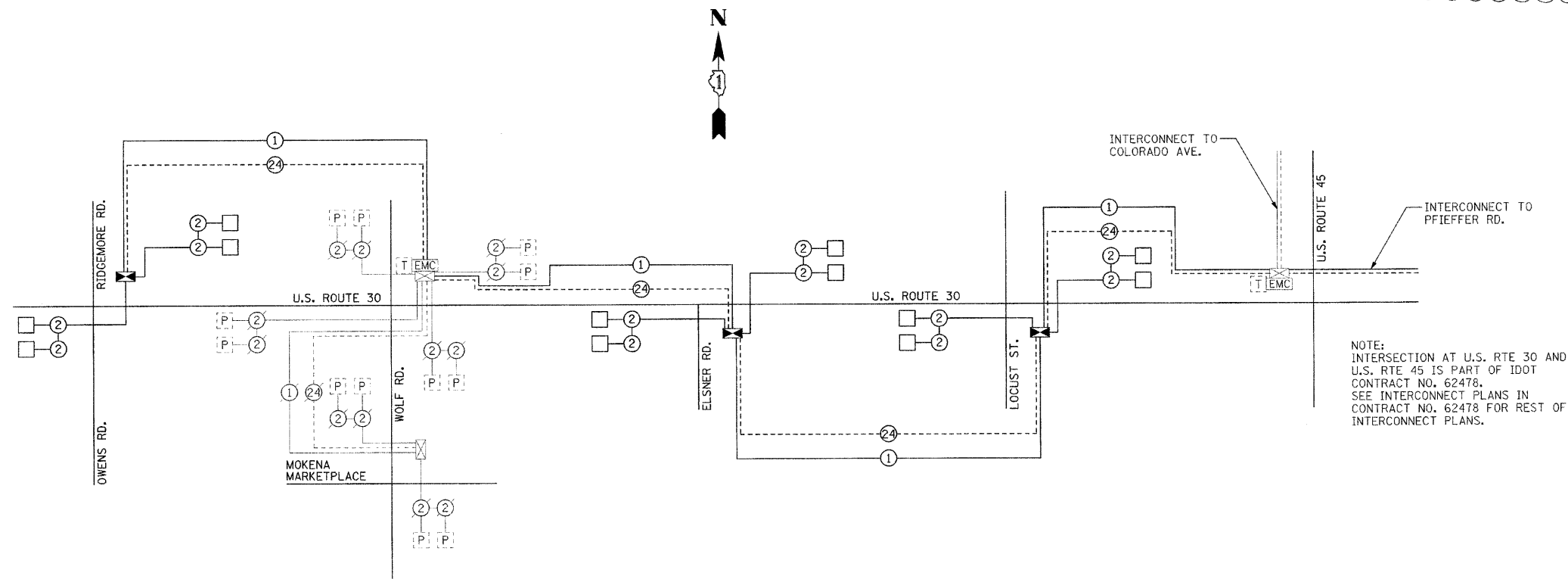
85000200	MAINTENANCE OF EXISTING TRAFFIC SIGNAL INSTALLATION	1	EACH
85700205	FULL-ACTUATED CONTROLLER AND TYPE IV CABINET, SPECIAL	1	EACH
88500100	INDUCTIVE LOOP DETECTOR	10	EACH
89501410	RELOCATE EXISTING EMERGENCY VEHICLE PRIORITY SYSTEM PHASING UNIT	1	EACH
89502375	REMOVE EXISTING TRAFFIC SIGNAL EQUIPMENT	1	EACH

RELOCATE THE EXISTING EMERGENCY PRIORITY SYSTEM PHASING UNIT TO THE NEW TRAFFIC SIGNAL CABINET AT US 30 AND WOLF RD AND WOLF RD AND MOKENA MARKET PLACE.

REMOVAL NOTES

THE FOLLOWING EXISTING TRAFFIC SIGNAL EQUIPMENT SHALL BE REMOVED BY THE CONTRACTOR. SHALL REMAIN THE PROPERTY OF THE STATE AND SHALL BE DELIVERED BY THE CONTRACTOR TO THE STATE'S TRAFFIC SIGNAL MAINTENANCE CONTRACTOR'S MAIN FACILITY AS PER THE TRAFFIC SIGNAL SPECIFICATIONS.

1	EACH	CONTROLLER AND CABINET (COMPLETE)	FROM US 30 AND WOLF RD
1	EACH	CONTROLLER AND CABINET (COMPLETE)	FROM WOLF RD AND MOKENA MARKET PLACE



NOTE:
INTERSECTION AT U.S. RTE 30 AND U.S. RTE 45 IS PART OF IDOT CONTRACT NO. 62478. SEE INTERCONNECT PLANS IN CONTRACT NO. 62478 FOR REST OF INTERCONNECT PLANS.

NOTE:
THE TRAFFIC SIGNAL CONTROLLER EQUIPMENT FOR THIS PROJECT SHALL BE "ECONOLITE" TO MATCH THE EXISTING ADJACENT SYSTEM.

REVISIONS		ILLINOIS DEPARTMENT OF TRANSPORTATION
NAME	DATE	
A	1-5-11	INTERCONNECT SCHEMATIC U.S. RTE. 30 (LINCOLN HWY) RIDGEMORE RD. TO 195TH ST. SCALE : DATE : 10/12/2010 DRAWN BY : RG DESIGNED BY : GB CHECKED BY : ZH