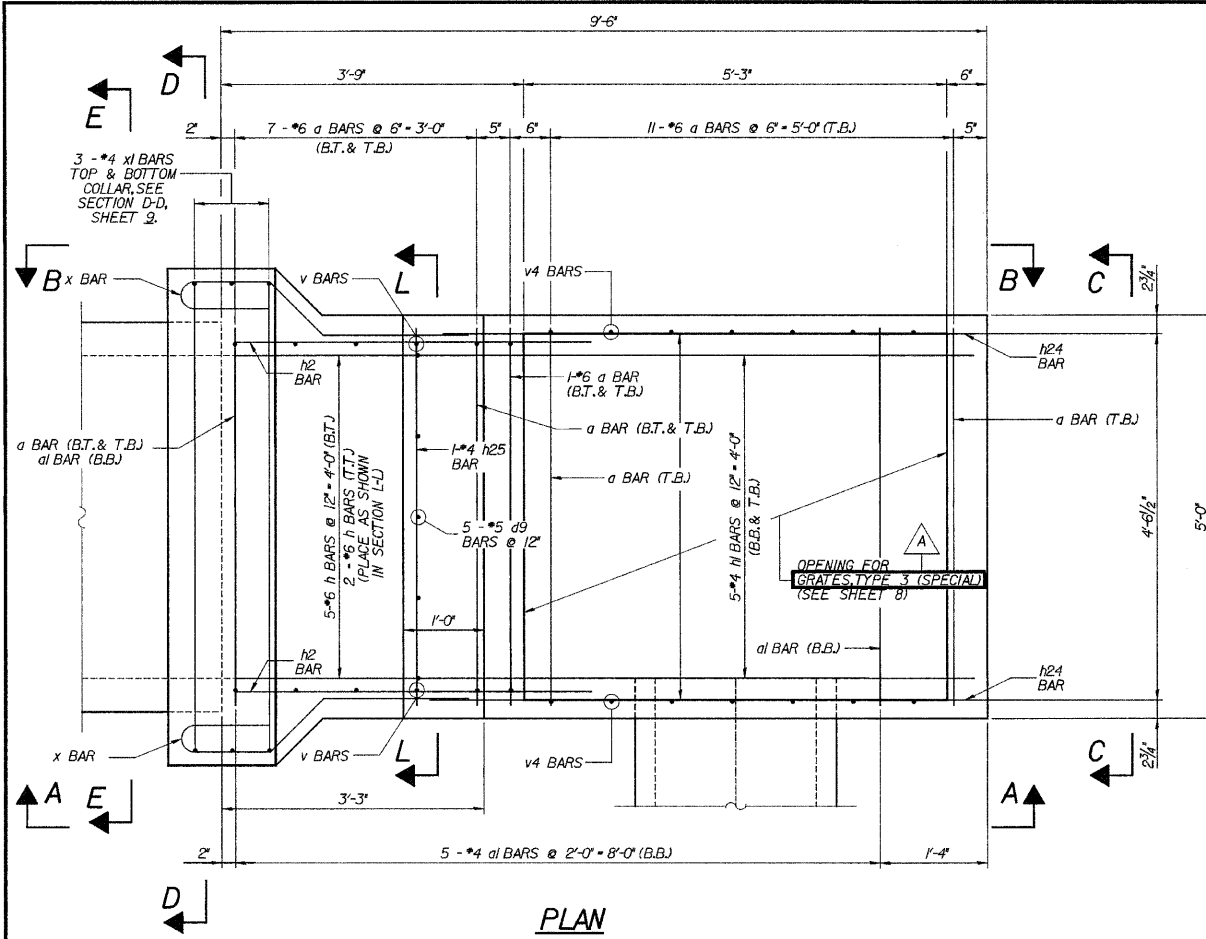
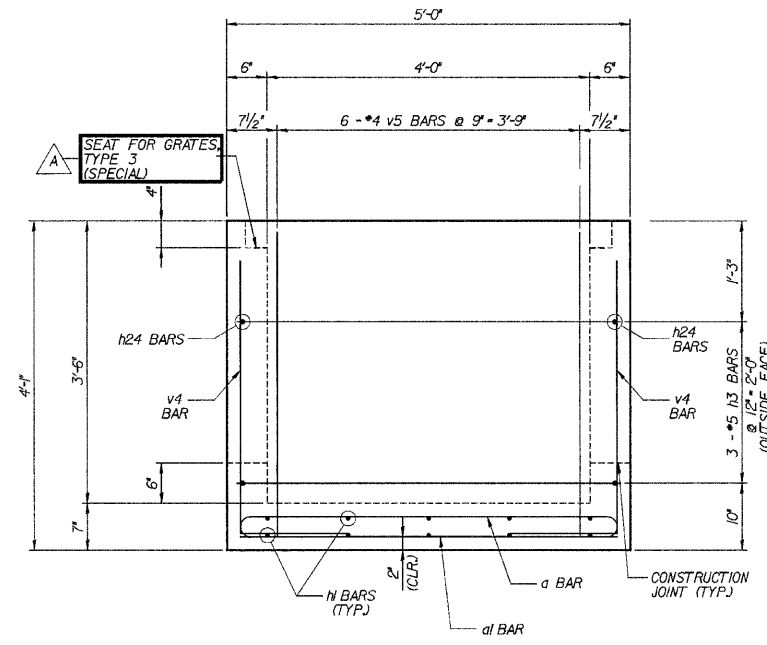


ROUTE NO.	SECTION	COUNTY	TOTAL SHEETS	SHEET NO.
FAP 353	*	WILL	1286	707
FED. ROAD DIST.	ILLINOIS	FED. AID PROJECT		

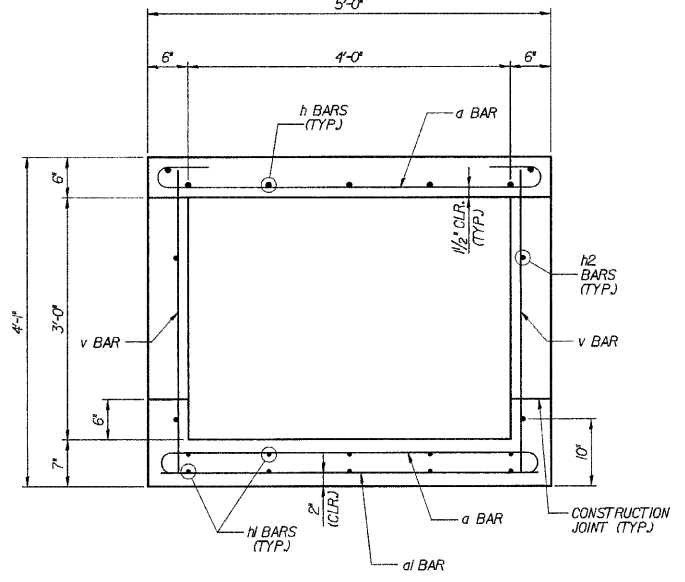
\* SECT. 12 & 13 WRS-3  
\* CONTRACT NO. 62479



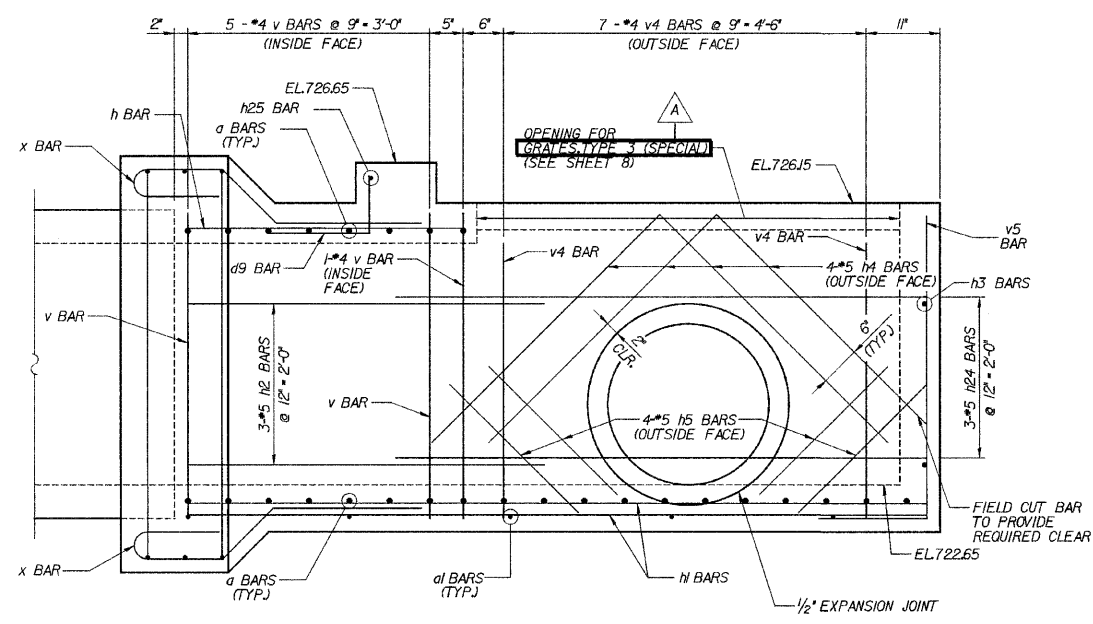
PLAN



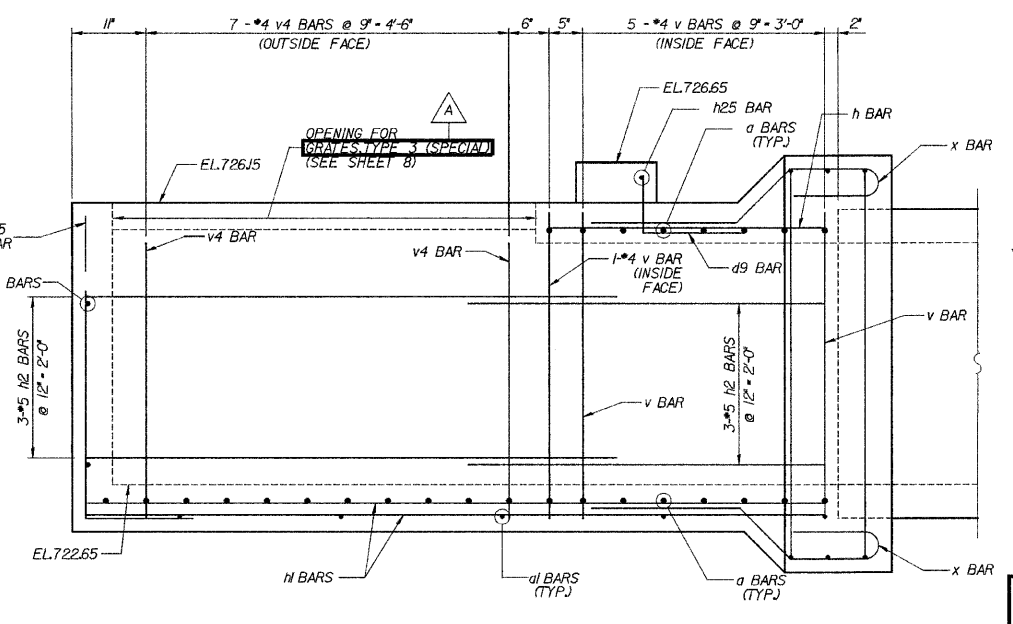
VIEW C-C



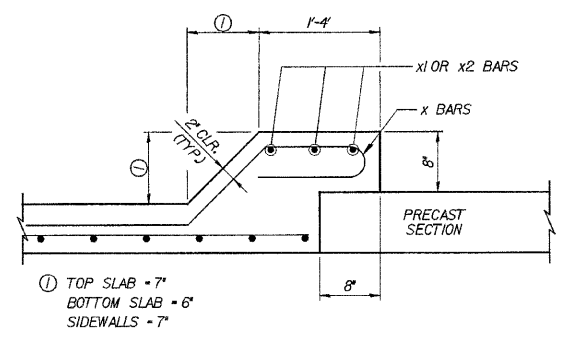
SECTION L-L



VIEW A-A



VIEW B-B



PRECAST TO CAST-IN-PLACE  
CONNECTION COLLAR

DESIGNED	ASP
CHECKED	CDS
DRAWN	BEM
CHECKED	ASP

NOTE:  
FIELD CUT a, h, & v24 BARS TO  
FIT AROUND OPENING FOR PIPE.

LEGEND

T.T. - TOP OF TOP SLAB  
B.T. - BOTTOM OF TOP SLAB  
T.B. - TOP OF BOTTOM SLAB  
B.B. - BOTTOM OF BOTTOM SLAB



85 W. Algonquin Rd. Ste. 220  
Arlington Heights IL 60005

REVISIONS	
NAME	DATE
ADDENDUM A	01/05/11

**CULVERT 'K'**  
**INLET PLAN & ELEVATION**  
U.S. ROUTE 30 (LINCOLN HIGHWAY)  
F.A.P. 353 (U.S. 30)  
SECTION 12 & 13 WRS-3  
STATION 38+23.02  
WILL COUNTY  
STRUCTURE NUMBER 099-C016