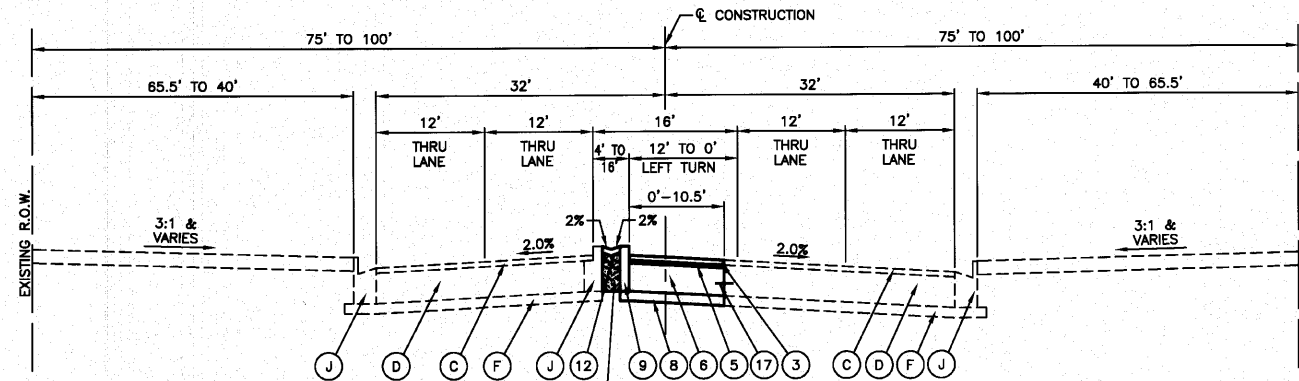


EXISTING TYPICAL CROSS SECTION
HARLEM AVENUE
STA 12+42.00 TO STA 16+62.32



PROPOSED TYPICAL CROSS SECTION
HARLEM AVENUE
STA 12+42.00 TO STA 16+62.32

LEGEND

- | | |
|---|--|
| (A) HMA PAVEMENT, 6" TO 9" | (1) HMA SURFACE COURSE, MIX "C", N50, 2" |
| (B) CRUSHED STONE BASE COURSE, 4" TO 6" | (2) HMA SURFACE COURSE, MIX "D", N50, 2" |
| (C) HMA SURFACE COURSE, 2 1/2" | (3) POLYMERIZED HMA SURFACE COURSE, MIX "F", N90, 1 3/4" |
| (D) PCC PAVEMENT, 10" | (4) HMA BINDER COURSE, IL-19.0, N50, 6 1/4" |
| (F) STABILIZED SUBBASE, 4" | (5) LEVELING BINDER (MACHINE METHOD) N70, 3/4" |
| (G) PCC MEDIAN | (6) PCC BASE COURSE, 10" |
| (J) COMBINATION CONCRETE CURB & GUTTER | (7) AGGREGATE SUB-GRADE, 12" |
| (H) PCC SIDEWALK | (8) STABILIZED SUB-BASE, HMA, 4" |
| (Hatched) ITEMS TO BE REMOVED | (9) TYPE B CURB, 6" |
| | (10) TYPE B-6.12 COMBINATION CONCRETE CURB & GUTTER |
| | (11) TYPE B-6.24 COMBINATION CONCRETE CURB & GUTTER |
| | (12) CONCRETE MEDIAN SURFACE COURSE, 4" |
| | (13) PCC SIDEWALK, 5" |
| | (14) SUB-BASE GRANULAR MATERIAL, 4" |
| | (15) SEEDING, CLASS 2A |
| | (16) TOPSOIL, FURNISH & PLACE, 4" |
| | (17) #8 DEFORMED BAR, 24" @ 24" C-C |

FILE NAME = 06506-TYPX-01	USER NAME =	DESIGNED -- WPD	REVISIONS --
		CHECKED -- WPD	REVISIONS --
	PLOT SCALE =	DRAWN -- AG	REVISIONS --
	PLOT DATE = 10-14-10	CHECKED -- ACAD	REVISIONS --

STATE OF ILLINOIS
DEPARTMENT OF TRANSPORTATION

TYPICAL CROSS SECTION
SCALE: NA SHEET NO. 9 OF 60 SHEETS STA. TO STA.

F.A.P. RTE.	SECTION	COUNTY	TOTAL SHEETS	SHEET NO.
348	06-00104-00-CH	COOK	60	9
FED. ROAD DIST. NO. 1 ILLINOIS		FED. AID PROJECT #HSIP-8003 (851)		