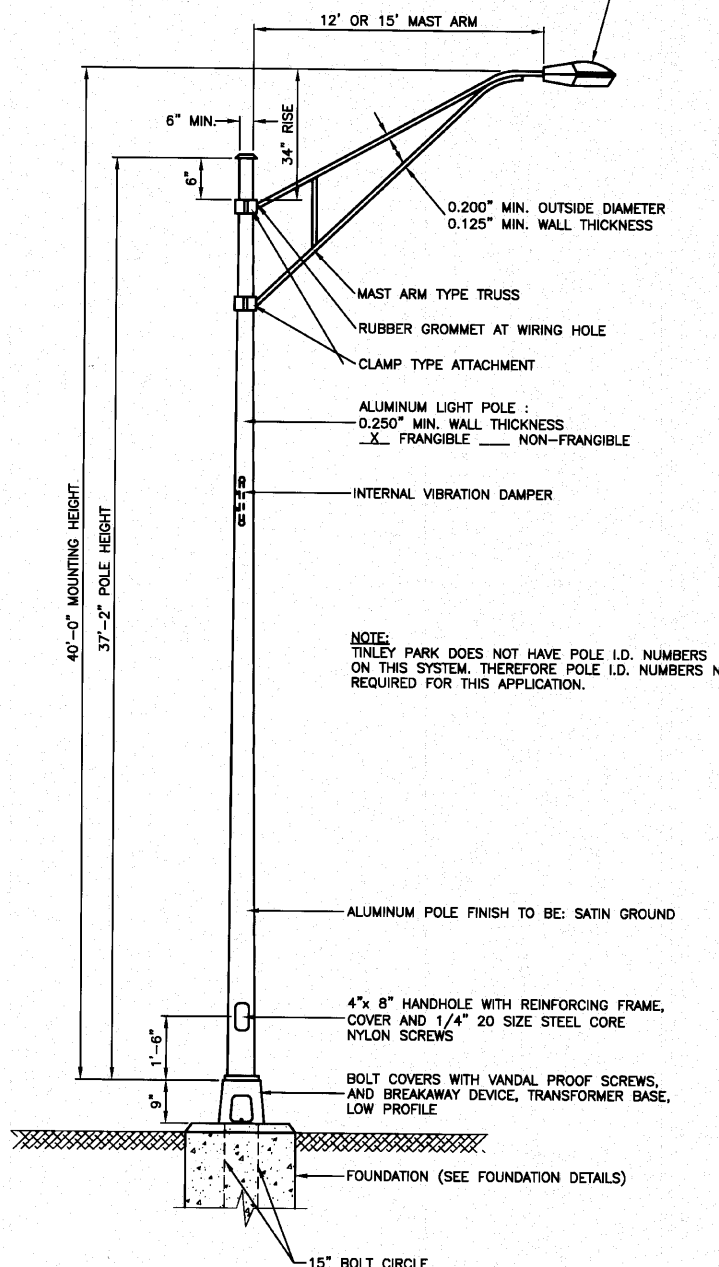
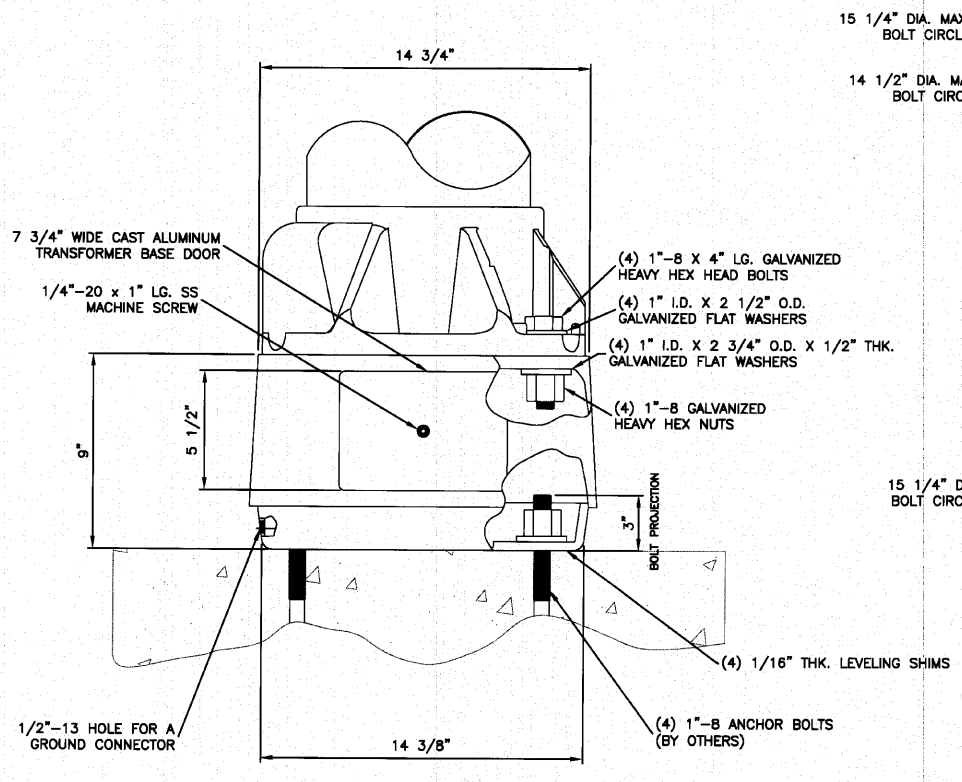
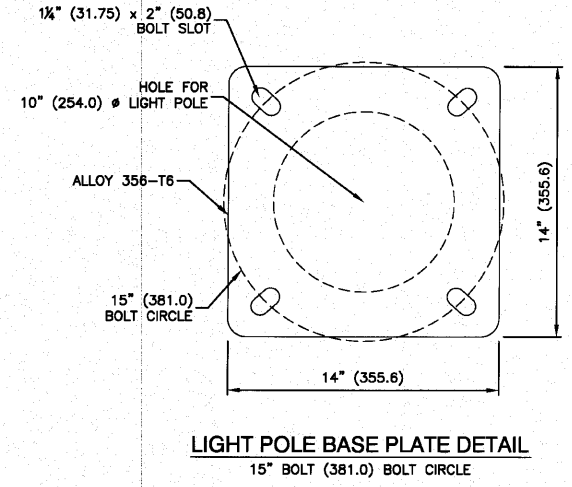
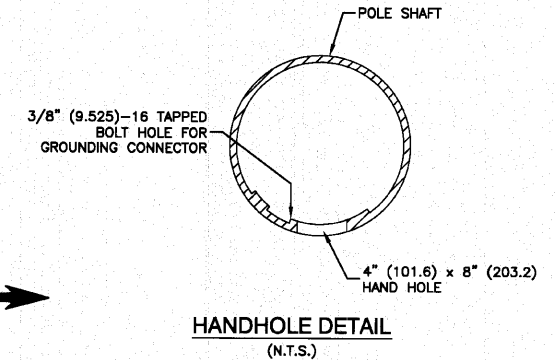
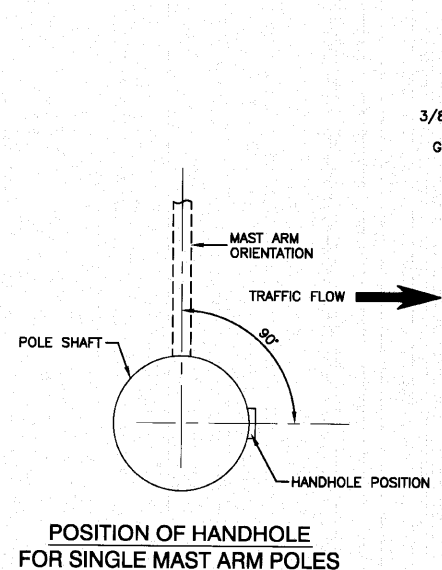


LUMINAIRE:		LUMINAIRE:	
250 WATT HIGH PRESSURE SODIUM LAMP 240 VOLT BALLAST		400 WATT HIGH PRESSURE SODIUM LAMP 240 VOLT BALLAST	
I.E.S. TYPE: MC III LIGHT DISTRIBUTION, FULL CUTOFF	OR	I.E.S. TYPE: MC III LIGHT DISTRIBUTION, FULL CUTOFF	
LENS TYPE: FLAT		LENS TYPE: FLAT	
INITIAL LAMP LUMENS: 28,000		INITIAL LAMP LUMENS: 50,000	
LAMP LIFE: 24,000 HOURS		LAMP LIFE: 24,000 HOURS	



- NOTES:**
- THE LIGHTING UNITS SHALL MEET AASHTO DESIGN CRITERIA. DESIGN FOR 90 M.P.H. WIND WITH 30% GUST AND 75 POUND LUMINAIRE HAVING AN E.P.A. OF 1.6 SQ. FT. AND PROPER ICE LOADING.
 - ALUMINUM ALLOY 6063-T6 SHALL BE USED.
 - LIGHT POLE AND ASSOCIATED EQUIPMENT TO BE U.L. LISTED

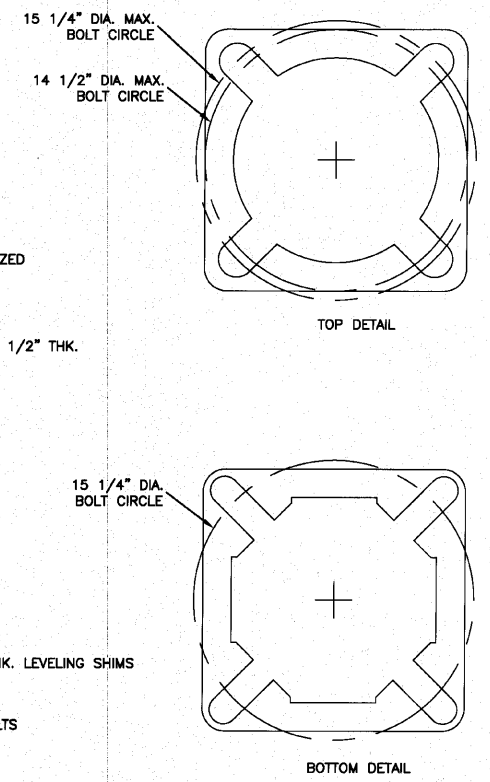
TYPICAL POLE INSTALLATION FOR EXISTING, PROPOSED AND RELOCATED LIGHTING UNITS



IMPORTANT NOTE:
TRANSFORMER BASE AND LIGHTPOLE TO BE LEVELLED AS ONE UNIT. USING LEVELING SHIMS IF REQUIRED.

BREAKAWAY TRANSFORMER BASE DETAIL

NOTE:
BREAKAWAY BASE TO BE AASHTO APPROVED



FILE NAME = 06508-LIGHT-02 - P02

USER NAME =	DESIGNED — WPD	REVISED —
PLOT SCALE = 1=1'	CHECKED — WPD	REVISED —
PLOT DATE = 10-14-10	DRAWN — AG	REVISED —
	CHECKED — AG	REVISED —

STATE OF ILLINOIS
DEPARTMENT OF TRANSPORTATION

175TH STREET AT HARLEM AVENUE
INTERSECTION IMPROVEMENTS
STREET LIGHTING DETAILS

SCALE: NA SHEET NO. 29 OF 60 SHEETS STA. TO STA.



F.A.P. RTE.	SECTION	COUNTY	TOTAL SHEETS	SHEET NO.
348	06-00104-00-CH	COOK	60	29
CONTRACT NO. 63453				
FED. ROAD DIST. NO. 1 ILLINOIS FED. AID PROJECT#HSIP-8003 (851)				