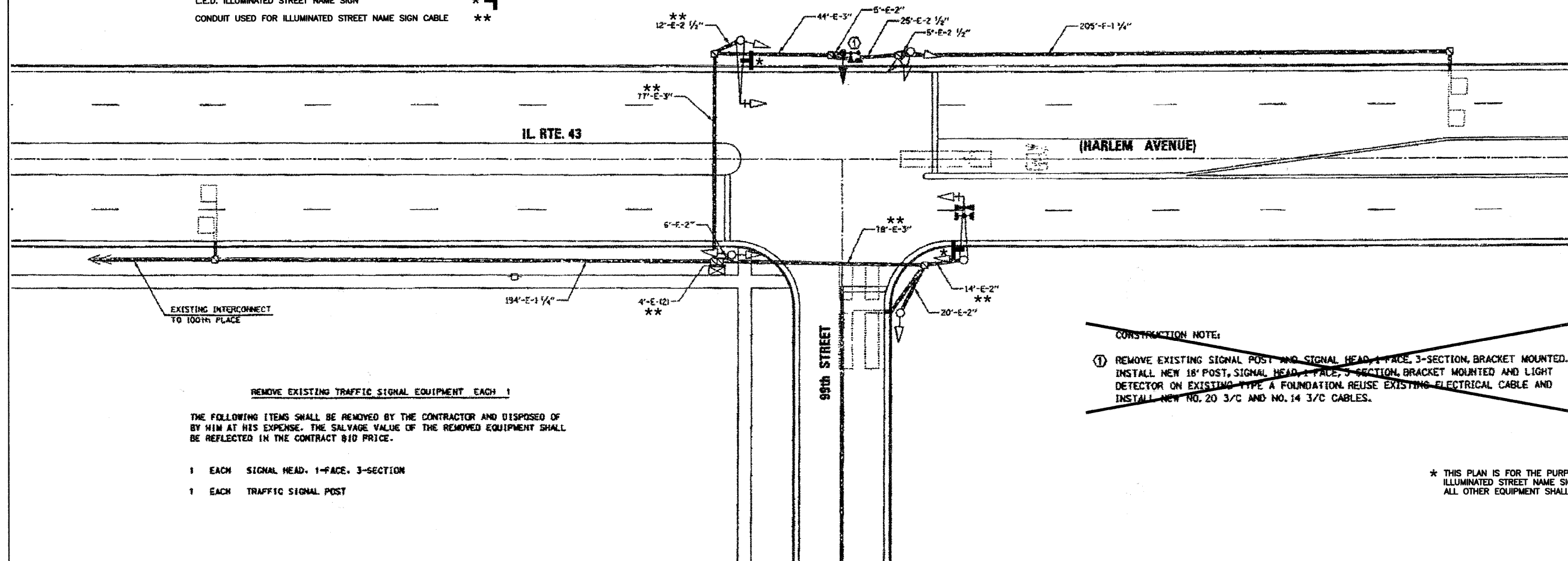
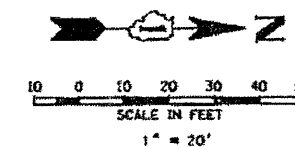


TRAFFIC SIGNAL LEGEND

	PROPOSED	EXISTING
CONTROLLER		
SERVICE INSTALLATION		
SIGNAL HEAD		
SIGNAL HEAD WITH BACKPLATE		
SIGNAL HEAD, PEDESTRIAN		
SIGNAL POST		
MAST ARM ASSEMBLY AND POLE, STEEL		
MAST ARM ASSEMBLY AND POLE, ALUMINUM		
COMMON TRENCH		
UNIT DUCT		
HANDHOLE		
HEAVY DUTY HANDHOLE		
DOUBLE HANDHOLE		
G.S. CONDUIT IN TRENCH OR PUSHED		
PEDESTRIAN PUSHBUTTON DETECTOR		
DETECTOR LOOP		
CAST IRON JUNCTION BOX		
EMERGENCY VEHICLE SYSTEM DETECTOR		
CONFIRMATION BEACON		
SIGNAL HEAD OPTICALLY PROGRAMMED		
CONDUIT SPLICE		
WOOD POLE		
RACEWAY FOR MAGNETIC DETECTOR, TYPE I OR TYPE II		
VEHICLE DETECTOR, NON COMPENSATED MAGNETIC TYPE		
RAILROAD CONTROL CABINET		
L.E.D. ILLUMINATED STREET NAME SIGN		
CONDUIT USED FOR ILLUMINATED STREET NAME SIGN CABLE		



CONSTRUCTION NOTE:  
 ① REMOVE EXISTING SIGNAL POST AND SIGNAL HEAD, 1-FACE, 3-SECTION, BRACKET MOUNTED. INSTALL NEW 18' POST, SIGNAL HEAD, 1-FACE, 3-SECTION, BRACKET MOUNTED AND LIGHT DETECTOR ON EXISTING TYPE A FOUNDATION. REUSE EXISTING ELECTRICAL CABLE AND INSTALL NEW NO. 20 3/C AND NO. 14 3/C CABLES.

\* THIS PLAN IS FOR THE PURPOSE OF INSTALLING L.E.D. ILLUMINATED STREET NAME SIGNS AS SHOWN PER PLAN. ALL OTHER EQUIPMENT SHALL BE DISREGARDED.

NOTE: THE INTERSECTION AND TRAFFIC SIGNAL INSTALLATION ARE MAINTAINED BY IDOT.

LOCATION NO. 3

FILE NAME = 07441_02-PLAN-SIGN-01 - IDOT P25	USER NAME =	DESIGNED -- MRS	REVISED --	STATE OF ILLINOIS DEPARTMENT OF TRANSPORTATION	HARLEM AVENUE BEAUTIFICATION TRAFFIC SIGNAL MODIFICATION PLAN IL ROUTE 43 (HARLEM AVE) AND 99TH STREET	F.A.P. RTE. 348	SECTION 07-00055-01-SG	COUNTY COOK	TOTAL SHEETS 55	SHEET NO. 25	
		CHECKED -- PKB	REVISED --			SCALE: 1"=20'	SHEET NO. 25 OF 55 SHEETS	STA. TO STA.	FED. ROAD DIST. NO. 1	ILLINOIS	FED. AID PROJECT HPP-3482(001)
		DRAWN -- RG	REVISED --								
		CHECKED -- AG	REVISED --								