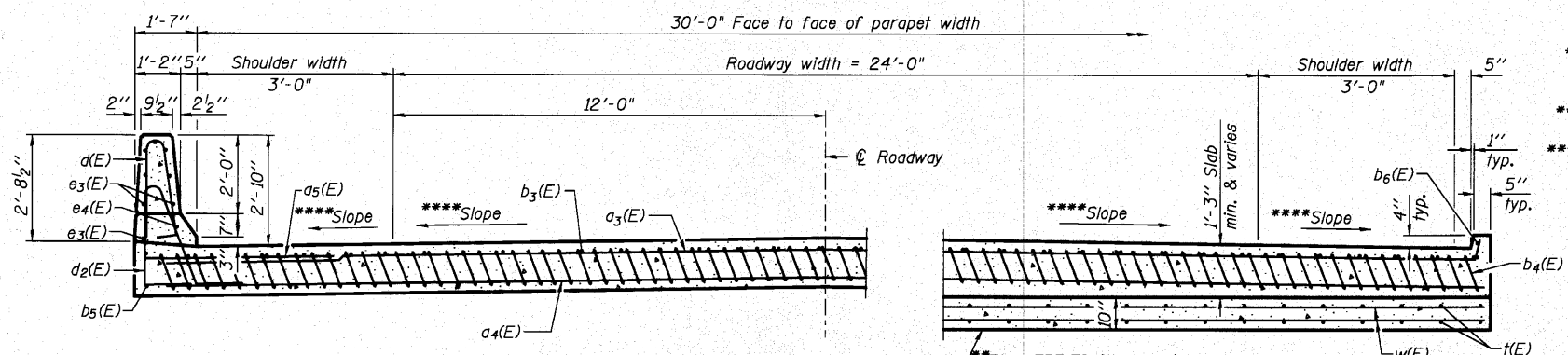


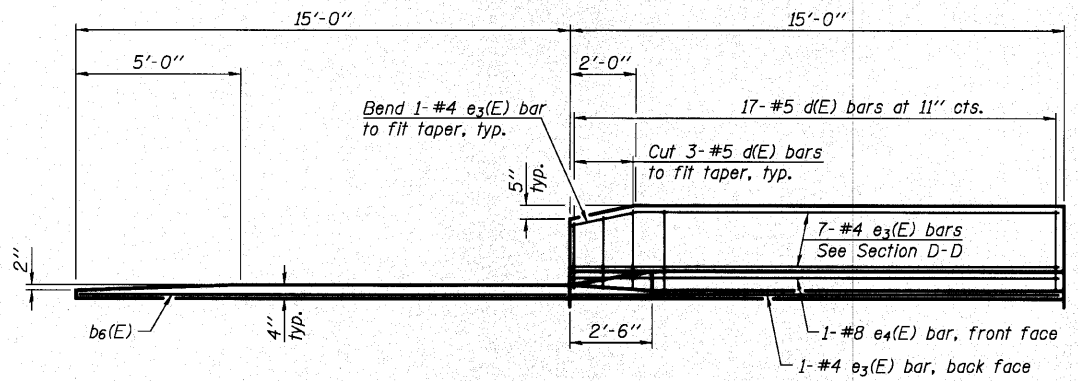
SECTION C-C



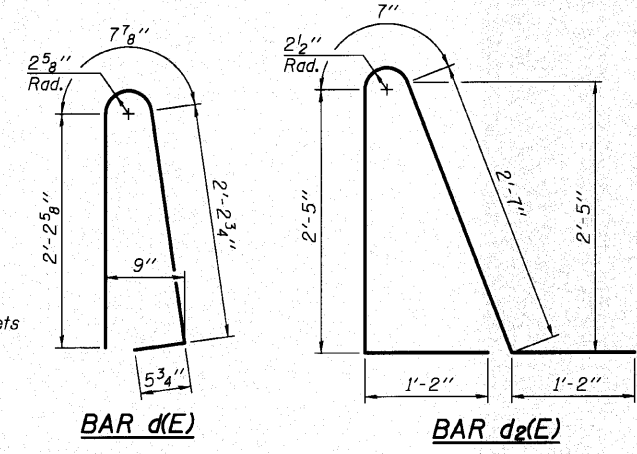
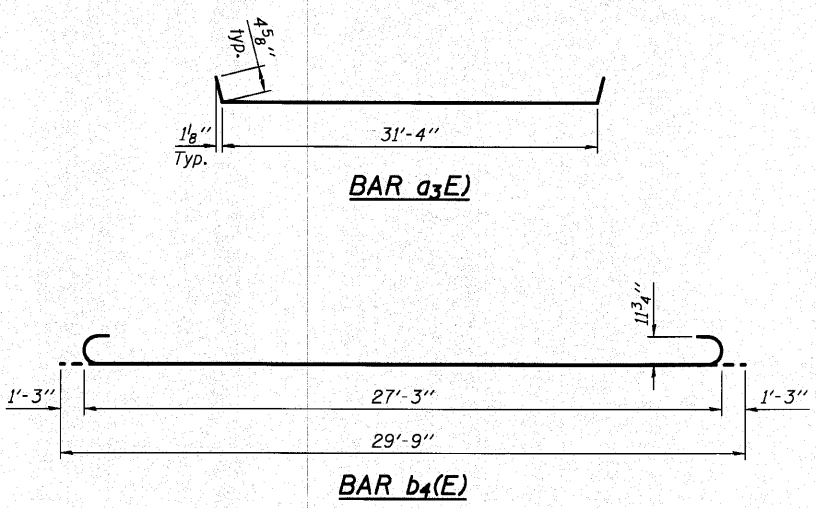
NEAR ABUTMENT

SECTION D-D
(See Plan for dimensions not shown)

AT APPROACH FOOTING



VIEW E-E



TWO APPROACHES
BILL OF MATERIAL

Bar	No.	Size	Length	Shape
a3(E)	50	#4	32'-1"	U
a4(E)	92	#5	31'-6"	U
a5(E)	52	#6	6'-6"	U
b3(E)	52	#4	29'-8"	U
b4(E)	148	#9	29'-9"	U
b5(E)	4	#4	14'-8"	U
b6(E)	4	#4	14'-8"	U
d(E)	68	#5	5'-7"	A
d2(E)	68	#5	7'-11"	A
e3(E)	32	#4	14'-8"	U
e4(E)	4	#8	14'-8"	U
t(E)	132	#4	9'-8"	U
w(E)	80	#5	31'-6"	U
Concrete Superstructure		Cu. Yd.	103.4	
Concrete Structures		Cu. Yd.	19.7	
Reinforcement Bars, Epoxy Coated		Pound	25,590	

Notes:
 See Sheet 9 of 21 for Detail A and View B-B.
 Approach slab and parapet concrete shall be paid for as Concrete Superstructure.
 Approach footing concrete shall be paid for as Concrete Structures.
 Reinforcement shall be paid for as Reinforcement Bars, Epoxy Coated.
 For v(E) bar details, see Sheet 8 of 21.
 The approach footing maximum applied service bearing pressure (Qmax) = 2.0 ksf.
 For bar splicer details, see Sheet 19 of 21.
 Cost of excavation for approach footing included with Concrete Structures.
 For Porous Granular Embankment (Special) and drainage treatment details, see Sheet 2 of 21.
 For additional parapet details, see Sheet 9 of 21.

- * Tilt #9 b4(E) bars as required to maintain clearance.
- ** East approach footing to be constructed parallel to bottom of approach slab.
- *** Cost included with Concrete Superstructure.
- **** Slope varies due to superelevation transition. See sheets 5 & 6 of 21 for Top of Approach Slab Elevations.

FILE NAME = P:\CIBEL WEST Projects\2009\09-0602_Balcom PHIT Structural\Drawn\453628_63521_01B-Approach-Slab2.dgn
 PLOT CREATION DATE = 10/19/2010

DESIGNED - AEU
 CHECKED - DLS
 DRAWN - AWH
 CHECKED - AEU

11-1-09

BA-0

WILLS BURKE KELSEY ASSOCIATES LTD.
 116 West Main Street, Suite 201
 St. Charles, Illinois 60174
 (630) 443-7755

SHEET NO. 10	F.A.U.	SECTION	COUNTY	TOTAL SHEETS	SHEET NO.
21 SHEETS	2332	03-14185-02-BR	KANE	73	34
			CONTRACT NO. 63521		
FED. ROAD DIST. NO.		ILLINOIS		FED. AID PROJECT	

(Sheet 2 of 2)
BRIDGE APPROACH SLAB DETAILS
STRUCTURE NO. 045-3020