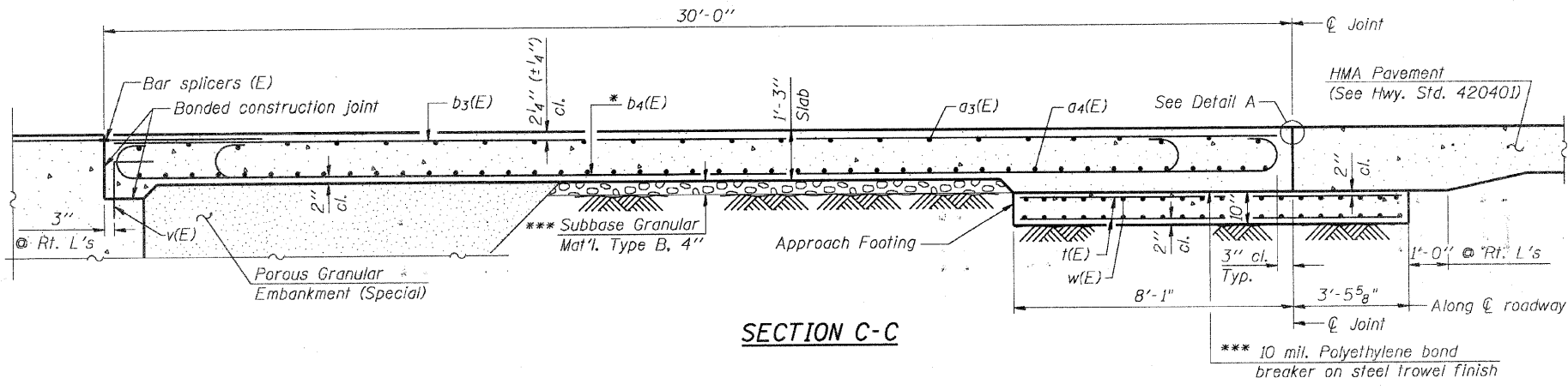
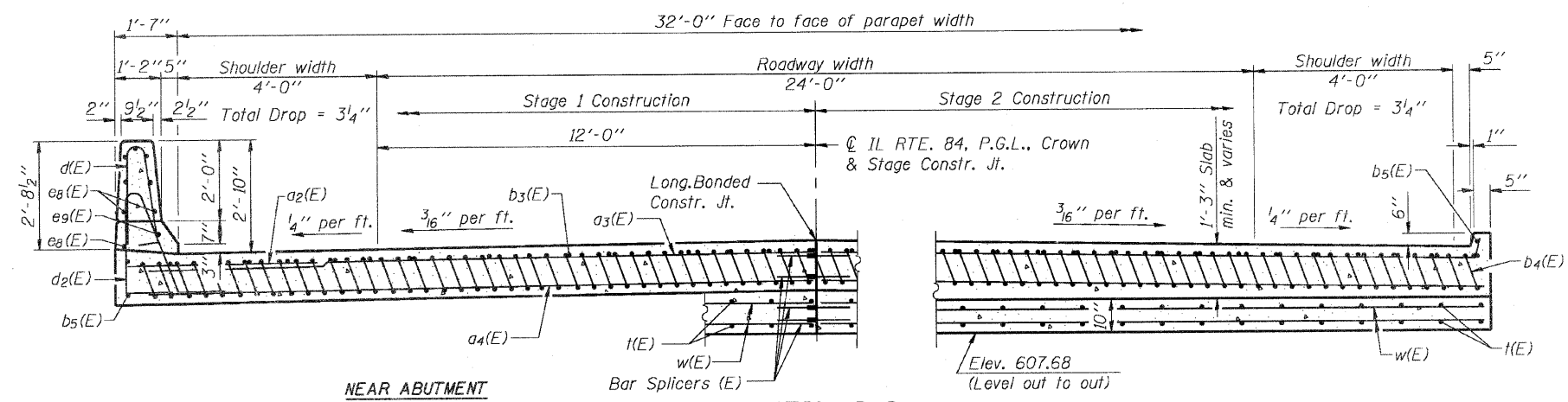


NOTES

1. See Sheet SA12 of 25 for Detail A.
2. Approach slab and parapet concrete shall be paid for as Concrete Superstructure.
3. Approach footing concrete shall be paid for as Concrete Structures.
4. Reinforcement shall be paid for as Reinforcement Bars, Epoxy Coated.
5. For v(E) bar details, see Sheet SA10 of 25.
6. The approach footing maximum applied service bearing pressure (Q_{max}) = 2.0 ksf.
7. For bar splicer details, see Sheet SA20 of 25.
8. Cost of excavation for approach footing included with Concrete Structures.
9. For Porous Granular Embankment (Special) and drainage treatment details, see Sheet SA2 of 25.



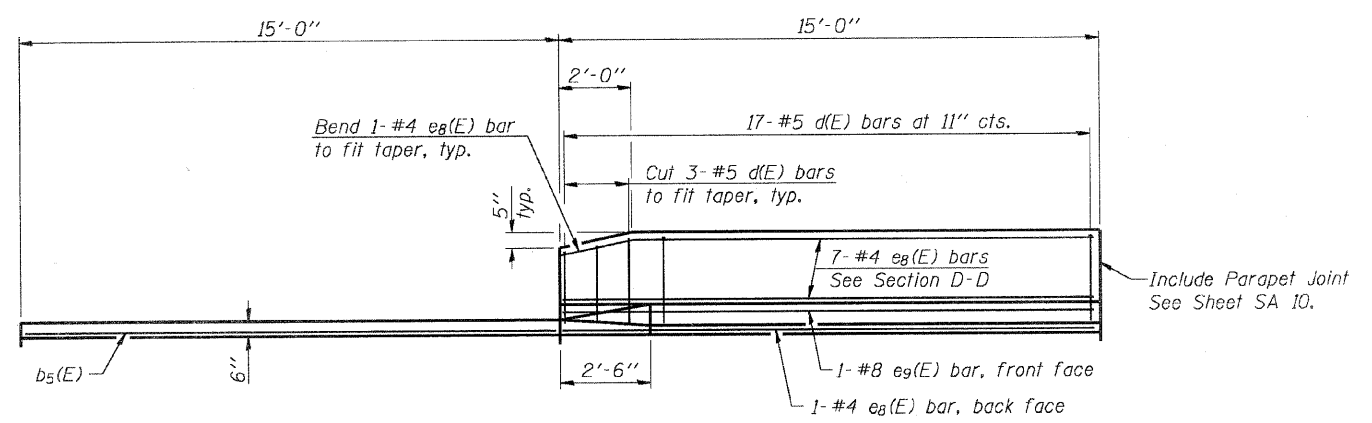
SECTION C-C



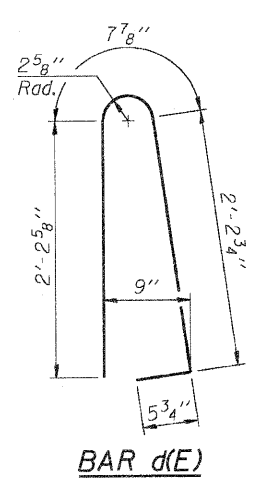
SECTION D-D

NEAR ABUTMENT

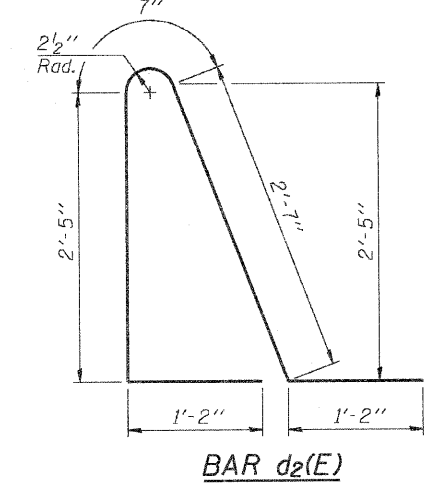
AT APPROACH FOOTING



VIEW E-E



BAR d(E)



BAR d2(E)

**TWO APPROACHES
BILL OF MATERIAL**

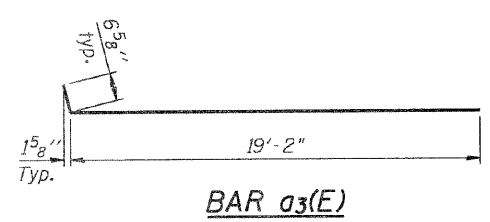
Bar	No.	Size	Length	Shape
a2(E)	48	#6	6'-6"	—
a3(E)	100	#4	19'-2"	—
a4(E)	184	#5	19'-2"	—
b3(E)	56	#4	29'-8"	—
b4(E)	164	#9	29'-9"	—
b5(E)	8	#4	14'-8"	—
d(E)	68	#5	5'-7"	U
d2(E)	68	#5	7'-11"	U
e8(E)	32	#4	14'-8"	—
e9(E)	4	#8	14'-8"	—
t(E)	144	#4	11'-2"	—
w(E)	160	#5	19'-2"	—
Concrete Structures			Cu. Yd.	24.1
Concrete Superstructure			Cu. Yd.	107.1
Bridge Deck Grooving			Sq. Yd.	203
Protective Coat			Sq. Yd.	248
Reinforcement Bars, Epoxy Coated			Pound	28,910
Bar Splicers			Each	222

BRIDGE APPROACH SLAB DETAILS
 Illinois Rte. 84 Over Apple River Tributary
 STATION 165+50.00 STRUCTURE NO. 043-0078

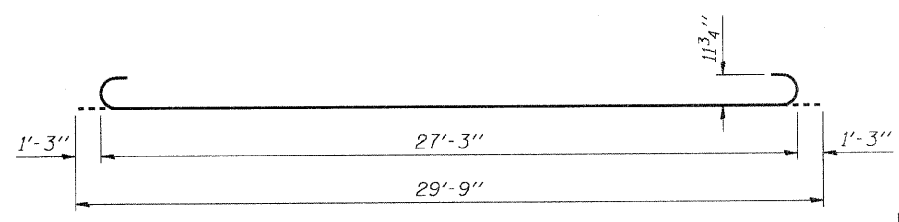
SHEET NO. SA13 OF 25 SHEETS	F.A.P. RTE.	SECTION	COUNTY	TOTAL SHEETS	SHEET NO.
	308	104BR-1	JO DAVIESS	126	49
			CONTRACT NO. 64B26		
10-15-2010		ILLINOIS FED. AID PROJECT			

GRAEF 8501 W. Higgins Road, Suite 280
Chicago, Illinois 60631
(773) 399-0112

DESIGNED J.Z.
CHECKED E.E.J.
DRAWN R.B.H.
CHECKED J.Z.



BAR a3(E)



BAR b4(E)

H:\bids\2010\2010001\CAD\Structural\gen\01\SA13_APPROACH_SLAB_DETAILS.dgn 10/20/2010