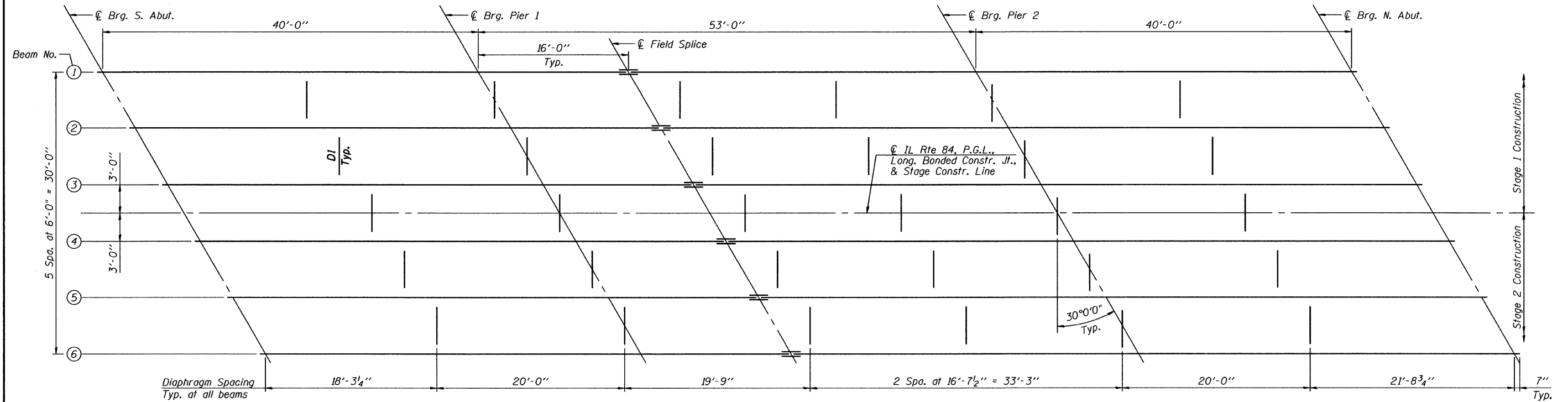
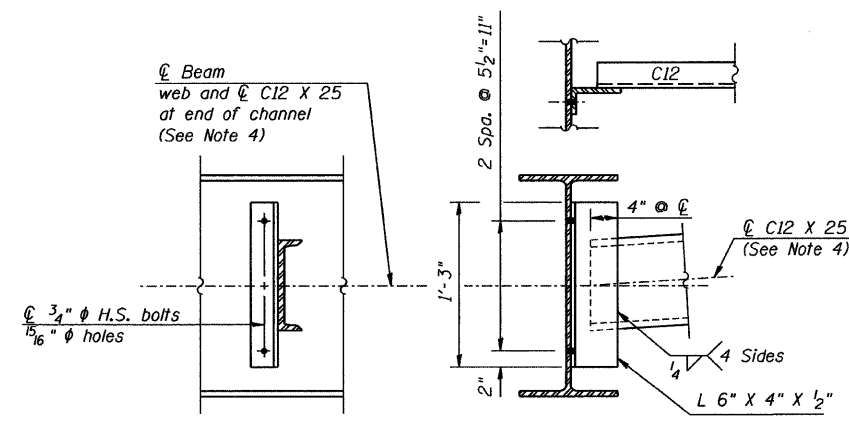


STATE OF ILLINOIS  
DEPARTMENT OF TRANSPORTATION



FRAMING PLAN



DIAPHRAGM D1  
30 Required

NOTES

- Two hardened washers required for each set of oversized holes at diaphragms.
- All Structural Steel on this sheet shall be AASHTO M270 Grade 50W.
- All diaphragms shall be installed as steel is erected and secured with erection pins and bolts except as otherwise noted.
- C12 X 30 channels are permitted to facilitate material acquisition. Calculated weight of structural steel is based on lighter section. The alternate, if utilized, shall be provided at no extra cost to the Department.

I:\Projects\2010\201003011\Lead\Structural\Drawings\02\SA14\_FRAMING\_PLA.dgn 10/13/2010

DESIGNED	J.Z.
CHECKED	J.A.Z.
DRAWN	R.B.H.
CHECKED	J.A.Z.

**GRÄEF** 8501 W. Higgins Road, Suite 280  
Chicago, Illinois 60631  
(773) 399-0112

FRAMING PLAN & DIAPHRAGMS					
Illinois Rte. 84 Over Apple River Tributary					
STATION 165+50.00			STRUCTURE NO. 043-0078		
SHEET NO.	F.A.P. RTE.	SECTION	COUNTY	TOTAL SHEETS	SHEET NO.
SA14 OF 25 SHEETS	308	104BR-1	JO DAVIESS	126	50
			CONTRACT NO. 64B26		
10-15-2010			ILLINOIS FED. AID PROJECT		