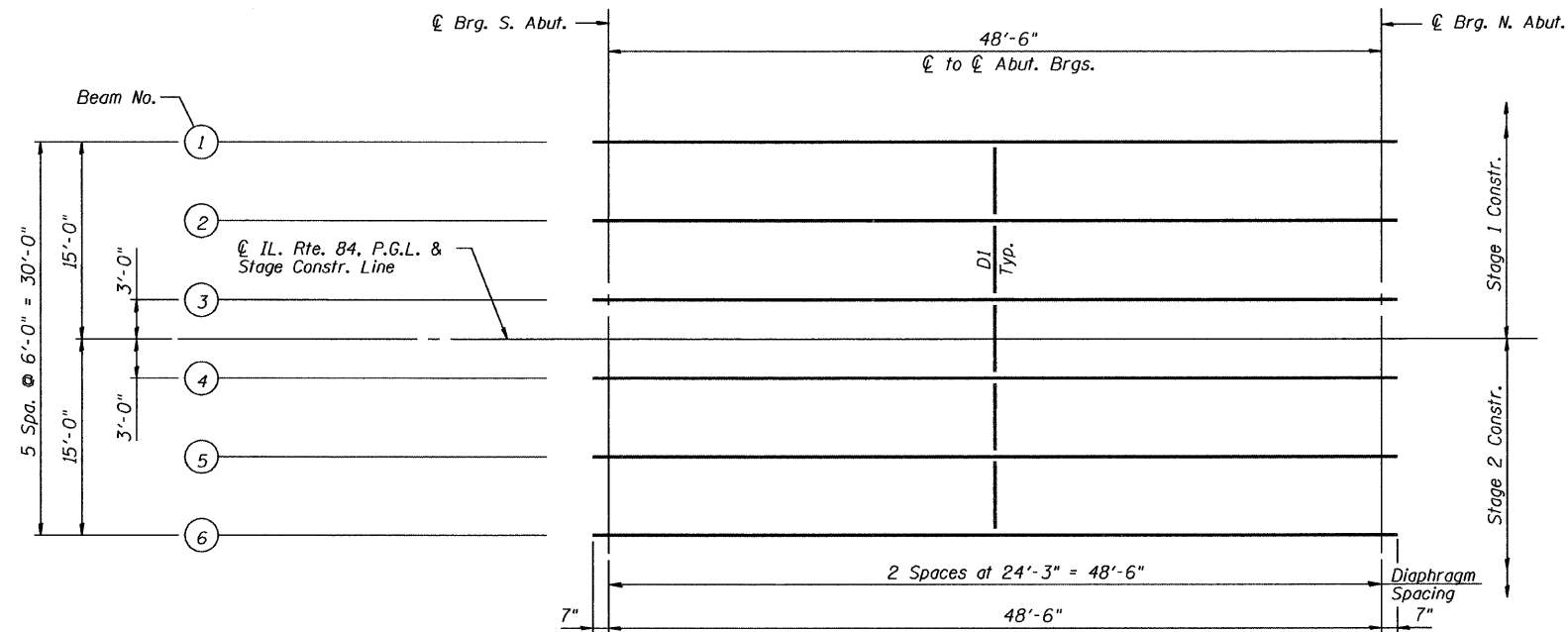
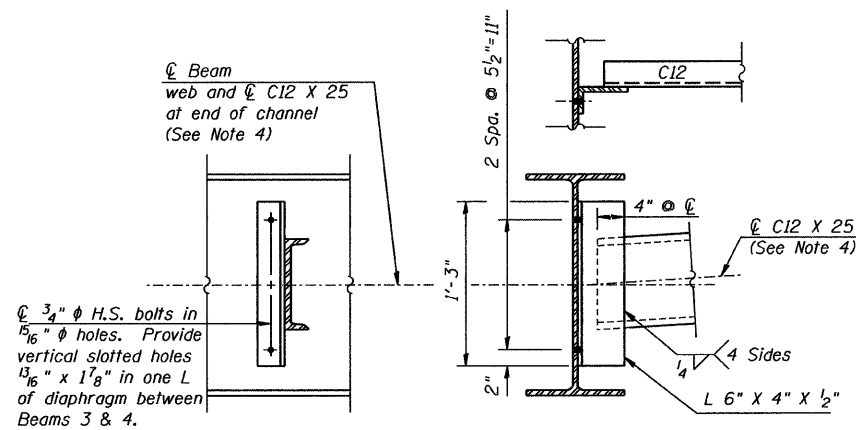


STATE OF ILLINOIS
DEPARTMENT OF TRANSPORTATION



FRAMING PLAN → Z →



DIAPHRAGM D1
5 Required

NOTES

- Two hardened washers are required for each set of oversized or slotted holes at diaphragms.
- All Structural Steel on this sheet shall be AASHTO M270 Grade 50W.
- All diaphragms shall be installed as steel is erected and secured with erection pins and bolts except as otherwise noted.
- C12 X 30 channels are permitted to facilitate material acquisition. Calculated weight of structural steel is based on lighter section. The alternate, if utilized, shall be provided at no extra cost to the Department.
- Bolts in slotted holes shall be finger tight until the second stage deck pour is complete. Position slots so that the bolts start at one end with no concrete load and finish near the opposite end under deck load, allowing maximum displacement without laterally stressing the main members.

H:\Jobs\2010\10-2010\SB14\Struct\1\FRAMING.PLAN.dgn
 10/12/2010

DESIGNED	J.Z.
CHECKED	E.E.J.
DRAWN	R.B.H.
CHECKED	E.E.J.

GRÄEF 8501 W. Higgins Road, Suite 280
Chicago, Illinois 60631
(773) 399-0112

FRAMING PLAN & DIAPHRAGMS					
Illinois Rte. 84 Over Duke Creek					
STATION 336+42.00			STRUCTURE NO. 043-0079		
SHEET NO. SB14 OF 23 SHEETS	F.A.P. RTE.	SECTION	COUNTY	TOTAL SHEETS	SHEET NO.
	308	103BR-3	JO DAVIESS	126	75
CONTRACT NO. 64B26					
10-15-2010		ILLINOIS FED. AID PROJECT			