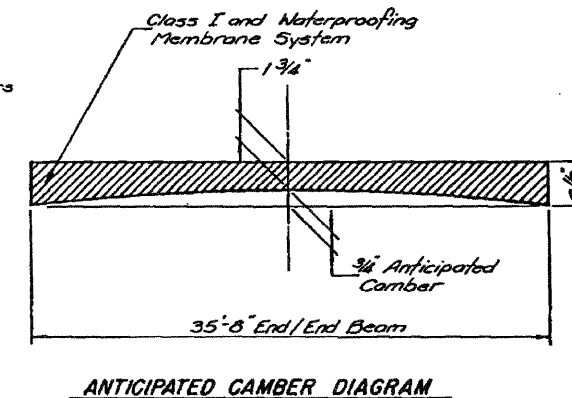
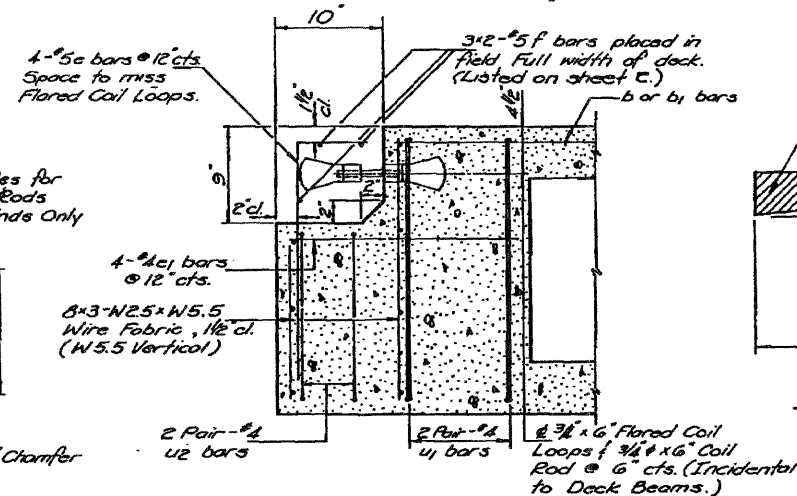
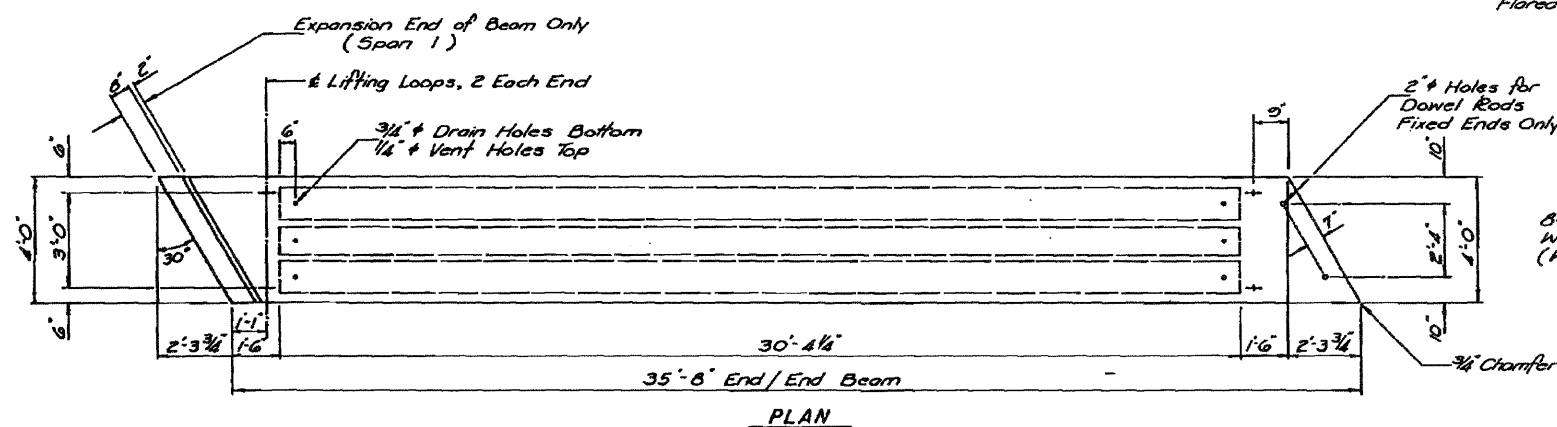
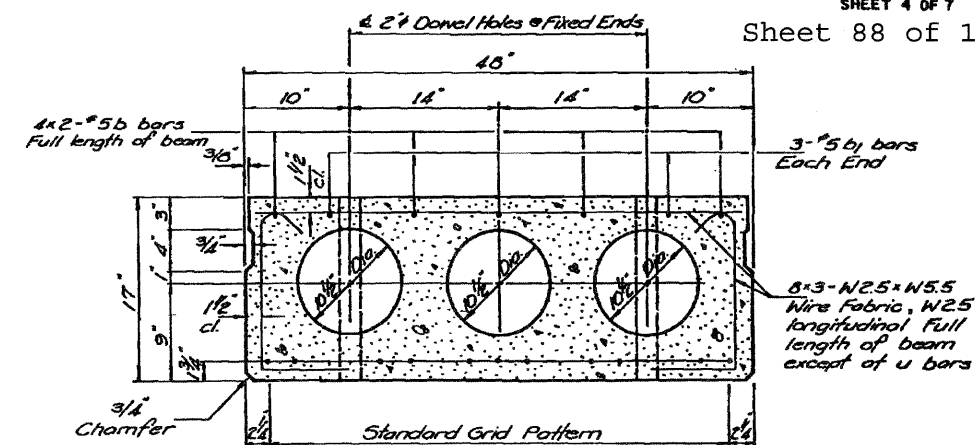
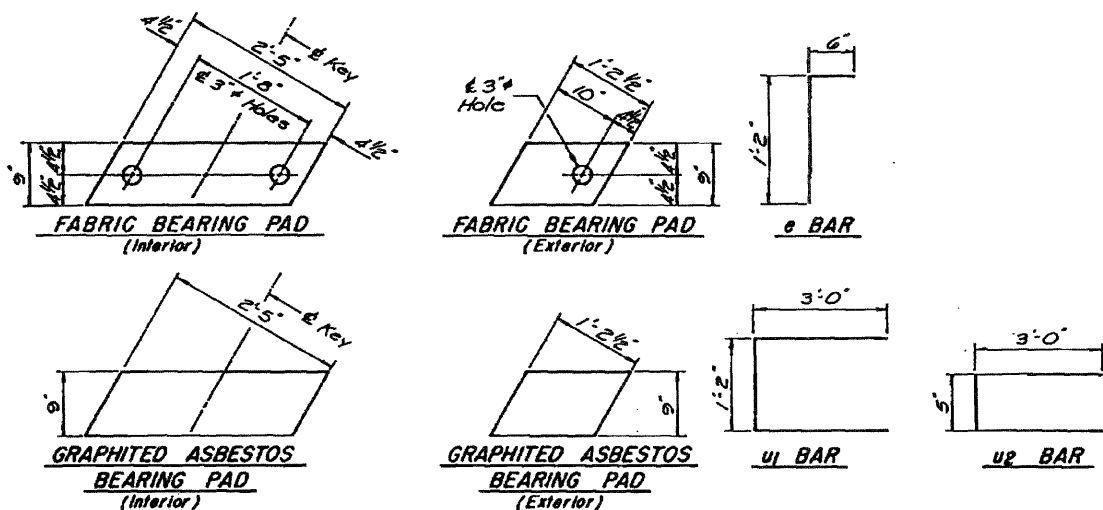


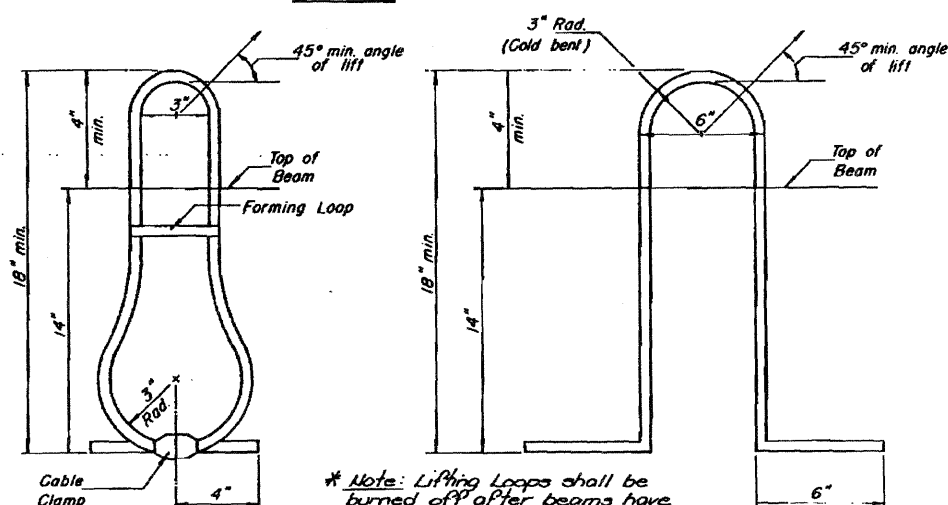
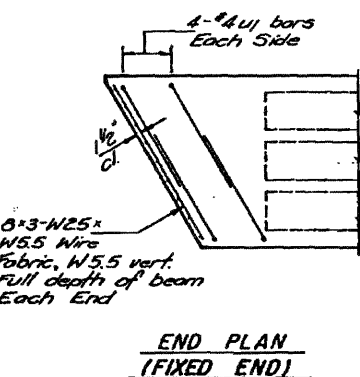
ROUTE NO.	SECTION	COUNTY	TOTAL SHEETS	SHEET NO.
E.A. 18	104 BR	JO DAVIESS	19	10



ONE BEAM BILL OF MATERIAL

Bar	No	Size	Length	Shape
b	8	#5	18'-7"	—
b1	6	#5	7'-3"	—
# e	4	#5	1'-8"	Γ
# a1	4	#4	7'-3"	—
u1	12	#4	7'-2"	⊏
* u2	4	#4	6'-5"	—
Class x Concrete			Qty Yds.	6.4
Reinforcement Bars			Lbs.	290
Weight of Beam			Lbs	11,800

* These bars required for expansion and only of Span 1 Beam



* Note: Lifting Loops shall be burned off after beams have been erected.

END OF BEAM (EXP END)

NOTES

Prestressing steel shall be non-galvanized high strength, stress-relieved 7-wire strand, Grade 270. The nominal diameter shall be 1/2" and the nominal cross-sectional area shall be 0.153 sq in. Lifting loops shall be 1/2" diameter, 6 x 25 class wire rope with fiber core and shall have a minimum ultimate tensile strength of 21,000 lbs. or 2-1/2" - 270 ksi strands. After beams have been erected, holes for the dowel anchors shall be drilled into the substructure and the anchor dowels shall be grouted in place. Reinforcement bars shall conform to AASHTO M-31 or M-53, Grade 60. Cost of reinforcement and accessories cast into the beam, of bearing pads, of armor angles, and of grouting longitudinal shear keys is included in unit price bid for "Precast Prestressed Concrete Deck Beams." The bearing seat surfaces shall be adjusted by shimming to assure firm and even bearing. Two 1/8" fabric adjusting shims of the dimensions of the Exterior Bearing Pad shall be provided for each bearing. Keyway surfaces shall be cleaned to remove form oil or other hard breaking material prior to shipment of beams. Cleaning shall be done by sandblasting the keyway areas between the top of the beam and the bottom edge of the key.

DESIGNED:	V. S. N.
CHECKED:	D. H. C.
DRAWN:	R. A. W.
CHECKED:	K. L. F.

FOR INFORMATION ONLY

DETAILS PRECAST PRESTRESSED CONCRETE DECK BEAMS 17'x46"

E.A. 18 OVER TRIBUTARY TO APPLE RIVER
SECTION 104-BR
JO DAVIESS COUNTY
STATION 125 + 71.00