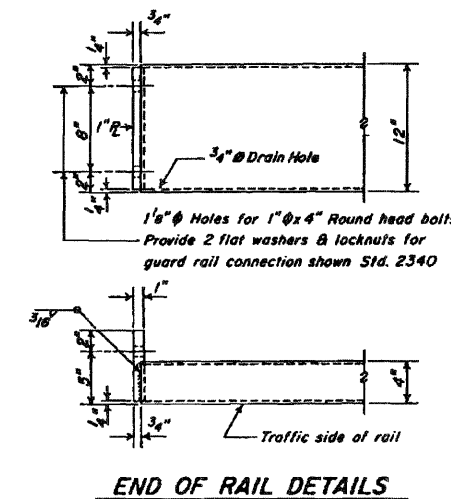
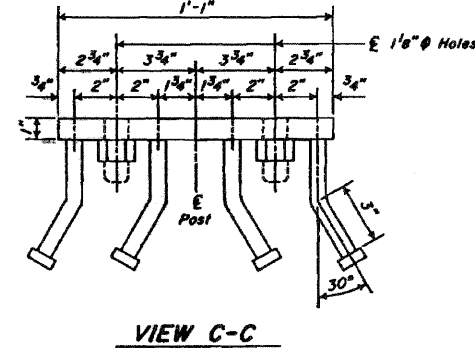
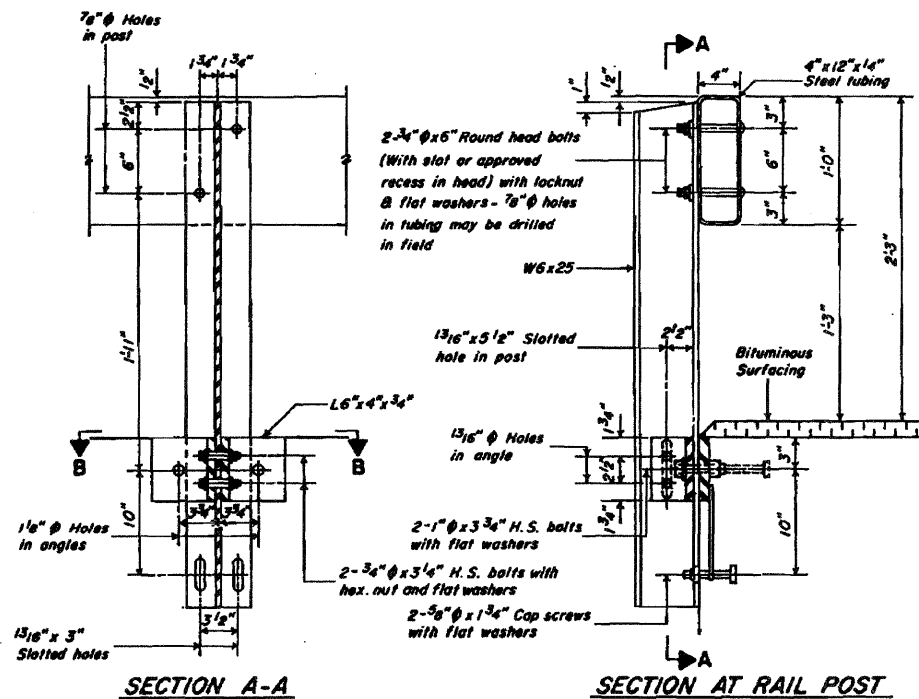
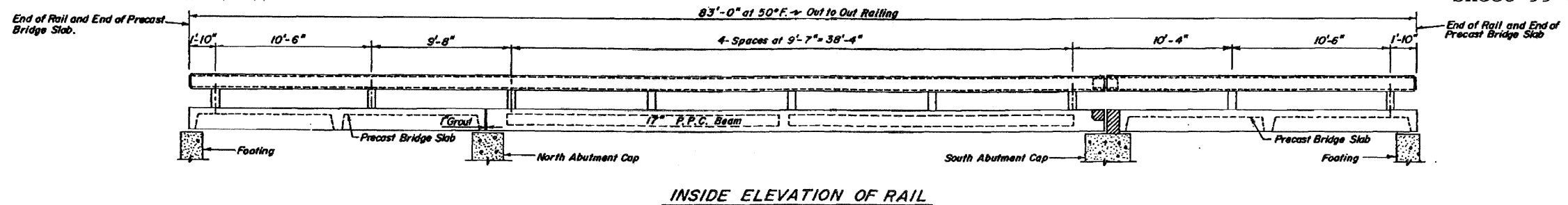


ROUTE NO.	SECTION	COUNTY	TOTAL SHEETS	SHEET NO.	SHEET NO. 8 SHEETS 7
I.A. 18	103 BR-2	JO DAVIESS	18	12	
FED. ROAD DIST. NO. 7	ILLINOIS	FED. AID PROJECT			

Sheet 99 of 126

STATE OF ILLINOIS
DEPARTMENT OF TRANSPORTATION
DIVISION OF HIGHWAYS



NOTES

Hollow structural steel tubing shall conform to the requirements of A.S.T.M. designation A-500 Grade B Structural Steel Tubing.

All other steel shapes and plates shall conform to the requirements of A.A.S.H.T.O. M-183 except posts and angles shall conform to A.A.S.H.T.O. M-223 Grade 50.

Bolts, cap screws, and nuts shall conform to the requirement of A.S.T.M. designation A-307 except for high strength bolts, nuts and washers noted which shall conform to A.A.S.H.T.O. M-164.

All bolts, nuts, cap screws, washers and lock washers shall be galvanized in accordance with A.A.S.H.T.O. M-232.

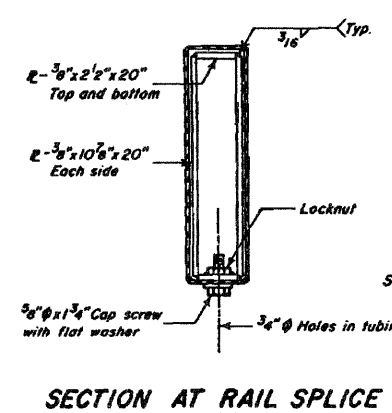
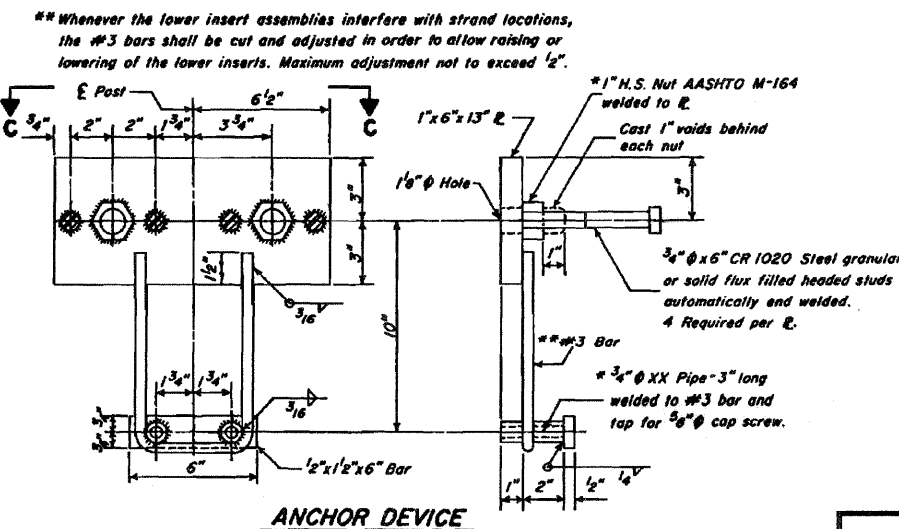
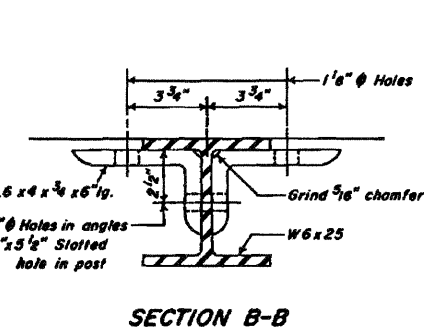
All posts, railing, rail splices, anchor devices and angles shall be galvanized after shop fabrication in accordance with A.A.S.H.T.O. M-111 and A.S.T.M. A-385. Galvanized rail shall not be painted.

Railing shall be in accordance with Section 508 of the Standard Specifications, except as noted, and shall be paid for at the contract unit price per lineal foot for STEEL RAILING, TYPE S-1.

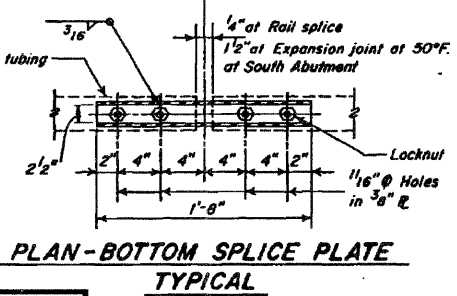
All field drilled holes shall be coated with an approved zinc rich paint before erection.

The lower portion of the post flange in contact with concrete shall receive two coats of asphalt paint conforming to Section 714.08 Type B or place 1/2" fabric bearing pad between the post and concrete.

The 3/4" high strength bolts used to connect the 6" x 4" x 3/4" angles to the post shall be tightened in accordance with Article 507.04(g)(3) of the Standard Specifications. The 1" high strength bolts connecting the angles to the concrete shall be tightened to a snug fit and given an additional 1/8 turn. The 5/8" cap screws in bottom of posts shall be tightened to a snug fit only.



RAIL SPLICE CONNECTION AT EXPANSION JOINT



BILL OF MATERIAL

ITEM	UNIT	QUANTITY
Steel Railing Type S-1	Lin. Foot	166

TYPE S-1 STEEL RAILING DETAILS
PROJECT GR-18 (15) SEC. 103 BR-2
FA 18 (I. 84) OVER DUKE CREEK
JO DAVIESS COUNTY
STA. 242+45.5

FOR INFORMATION ONLY

DESIGNED	Jamari
CHECKED	R.F.C.
DRAWN	brh / B.S.
CHECKED	R.F.C. / I.F.S.