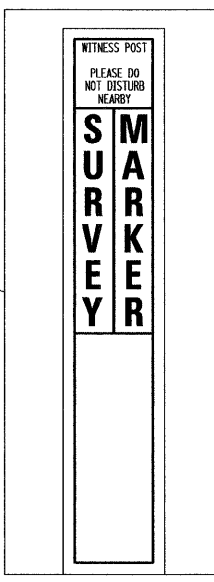
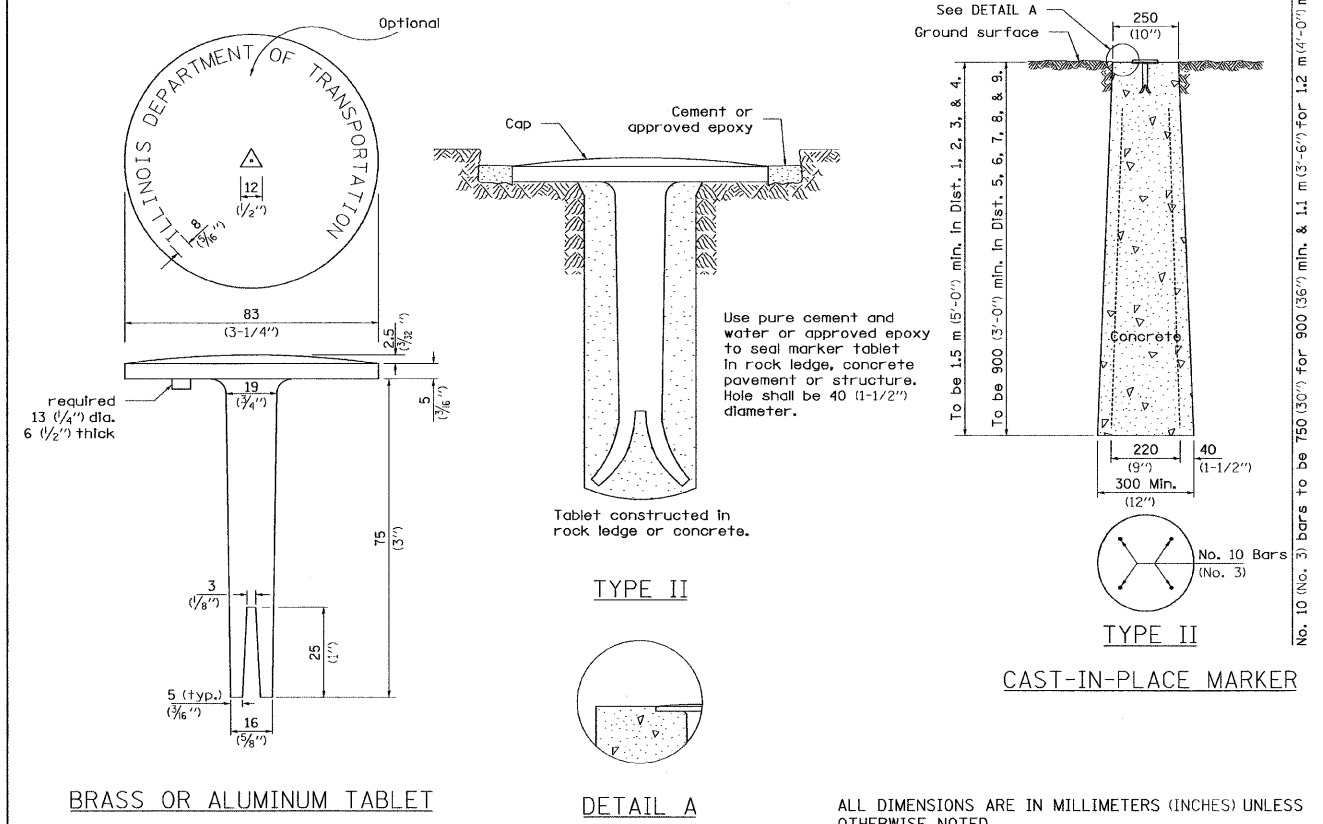


GENERAL NOTES
 A WITNESS MARKER SHALL BE INSTALLED WITHIN 1' OF ALL PERMANENT SURVEY MARKERS TYPE II EXCEPT IN AREAS WHERE THE MARKER IS IN THE SIDEWALK. THIS WORK WILL BE INCLUDED TO THE CONTRACT UNIT PRICE PER EACH FOR PERMANENT SURVEY MARKERS, TYPE II.

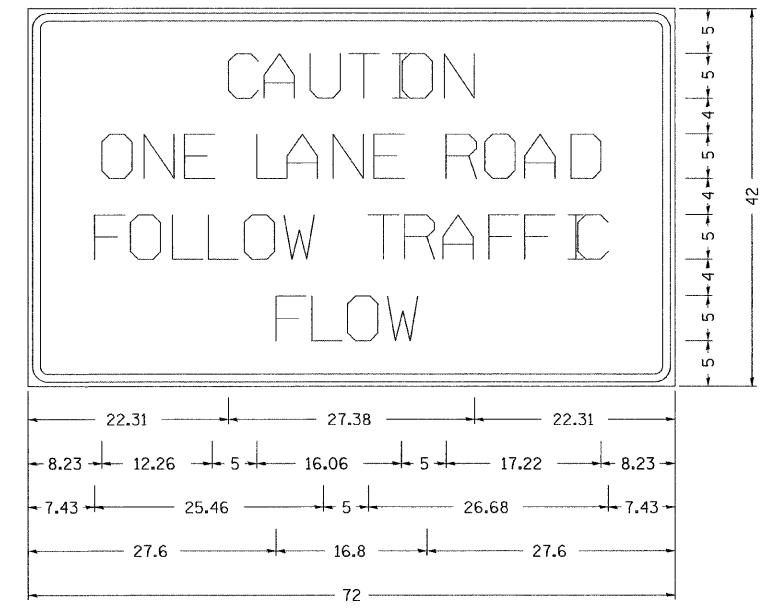


PERMANENT SURVEY MARKERS, TYPE II



REVISÉD - 10-21-08

WITNESS MARKER & PERMANENT SURVEY MARKERS, TYPE II 66.2



Type AA Fluorescent Orange Sheeting ;
 2.25" Radius, 0.88" Border, 0.50" Indent, Black on Orange;
 [CAUTION] D; [ONE LANE ROAD] D;
 [FOLLOW TRAFFIC] D; [FLOW] D

Table Of Widths And Spaces

22.31	C	3.36	0.62	A	4.18	0.94	U	3.36	0.94	T	3.04	0.94	I	0.78	1.17	O	3.52	1.17	N	3.36	22.31
8.23	O	3.51	1.17	N	3.36	1.18	E	3.04													
5.00	L	3.05	0.31	A	4.18	0.94	N	3.36	1.17	E	3.05										
5.00	R	3.36	0.93	O	3.52	0.94	A	4.18	0.93	D	3.36	8.23									
7.43	F	3.04	0.94	O	3.52	1.17	L	3.04	0.94	L	3.05	0.94	O	3.51	0.94	W	4.37				
5.00	T	3.05	0.94	R	3.36	0.94	A	4.18	0.93	F	3.05	0.94	F	3.04	0.94	I	0.78	1.18	C	3.35	7.43
27.60	F	3.05	0.94	L	3.04	0.94	O	3.52	0.93	W	4.38	27.60									

GENERAL NOTES

THIS SIGN SHALL BE INSTALLED AT ENTRANCES LOCATED BETWEEN THE TEMPORARY SIGNALS AS DIRECTED BY THE ENGINEER.
 ALL DIMENSIONS ARE IN INCHES UNLESS OTHERWISE NOTED.
 THE COST TO FURNISH, INSTALL AND REMOVE THIS SIGN AT THE REQUIRED LOCATIONS SHALL BE INCLUDED IN THE COST OF TRAFFIC CONTROL AND PROTECTION STANDARD 701321.

ALL DIMENSIONS ARE IN MILLIMETERS (INCHES) UNLESS OTHERWISE NOTED.

REVISÉD - 10-28-05

ENTRANCE SIGN FOR USE WITH TEMPORARY SIGNALS 75.2

REVISÉD -	REGION 2 / DISTRICT 2 STANDARD			F.A.P. RTE.	SECTION	COUNTY	TOTAL SHEETS	SHEET NO.
REVISÉD -	SCALE: *SCALE*	SHEET NO. 4 OF 10 SHEETS	STA. TO STA.	308	103BR-3 & 104BR-1	JO DAVIESS	126	106
REVISÉD -				CONTRACT NO. 64B26				
				FED. ROAD DIST. NO. ILLINOIS FED. AID PROJECT				

PLOT DATE = #DATE#