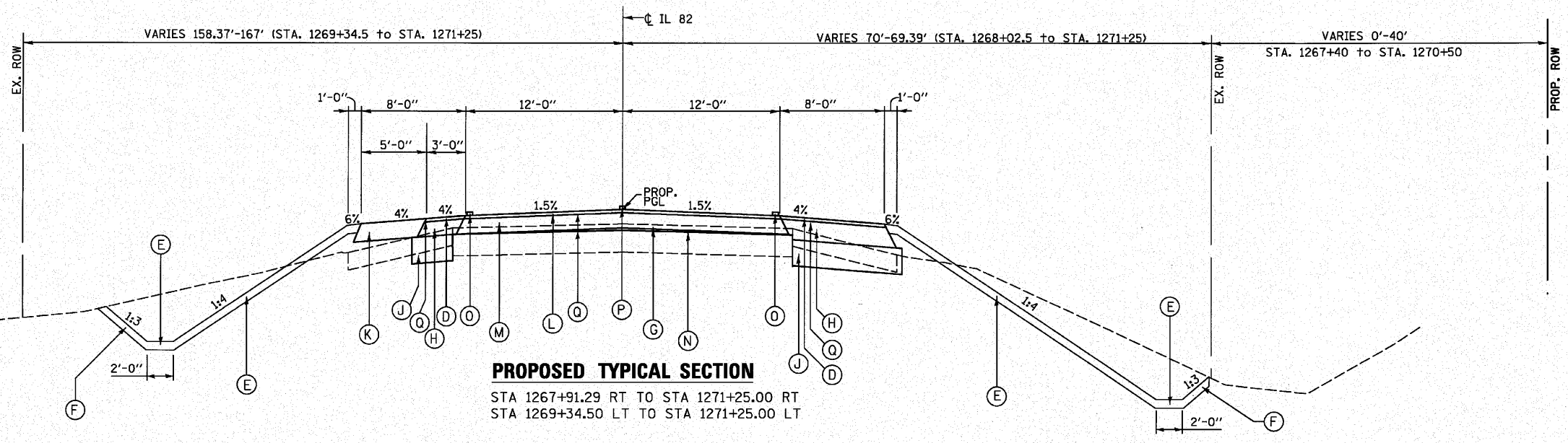
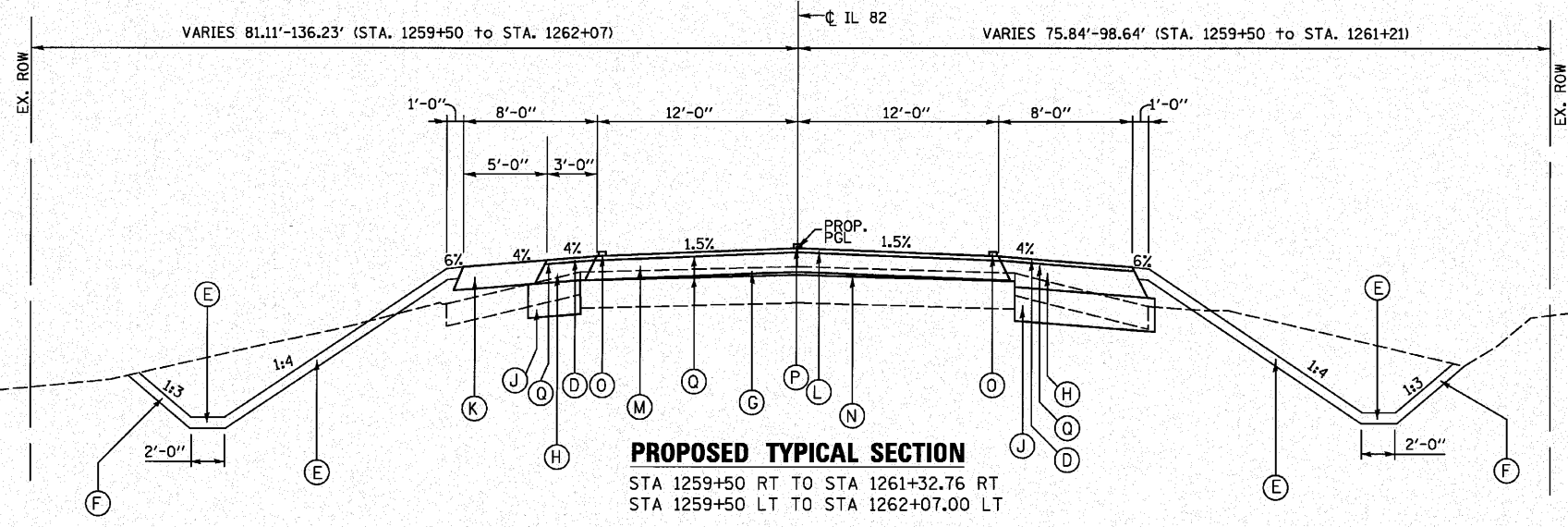


LEGEND

- (A) EXISTING AGGREGATE SHOULDERS
- (B) EXISTING HOT-MIX ASPHALT OVERLAY (VARIES 3.0" TO 8.5")
- (C) EXISTING PCC BASE COURSE (VARIES 6.2" TO 10.5")
- (D) PROPOSED HOT-MIX ASPHALT SURFACE COURSE, MIX "C", N50 (1 1/2")
- (E) PROPOSED SEEDING, CLASS 2A
- (F) PROPOSED SEEDING, CLASS 4
- (G) PROPOSED HOT-MIX ASPHALT SURFACE REMOVAL, 2 1/4" *
- (H) PROPOSED HOT-MIX ASPHALT SHOULDER, 6 1/2"
- (I) PROPOSED STEEL PLATE BEAM GUARDRAIL, TYPE A 6-FOOT POSTS
- (J) PROPOSED AGGREGATE BASE COURSE, TYPE A, 12"
- (K) PROPOSED 8" AGGREGATE SHOULDER, TYPE B
- (L) PROPOSED HOT-MIX ASPHALT SURFACE COURSE, MIX "D", N50 (1 1/2")
- (M) PROPOSED HOT-MIX ASPHALT BINDER COURSE, IL-19.0, N50, (VARIES 1 1/2" TO 1'-5 1/4")
- (N) PROPOSED LEVELING BINDER (MACHINE METHOD), N50 (VARIES 0'-3/4")
- (O) PROPOSED PAINT PAVEMENT MARKING-LINE 4" (WHITE SOLID)
- (P) PROPOSED PAINT PAVEMENT MARKING-LINE 4" (YELLOW, 10' LINE-30' SKIP)
- (Q) PROPOSED PRIME COAT

* MILL BETWEEN STA. 1259+50 TO 1263+66.63 & BETWEEN STA 1268+25 TO 1271+25

HMA UNIT WEIGHT = 112LB/SQ YD/IN



FILE NAME = G:\ENG\06-6798-1A D2 Bridges Phase 2\IL82\A0\A0\Civil\Sheet\0264025-ht-tpg001.dgn



USER NAME = *USER*	DESIGNED - KAC	REVISED -
PLOT SCALE = #SCALE#	DRAWN - JNH	REVISED -
PLOT DATE = 10/28/2010	CHECKED - KMB	REVISED -
	DATE - 08/27/2010	REVISED -

STATE OF ILLINOIS
DEPARTMENT OF TRANSPORTATION

TYPICAL SECTIONS		
IL 82 OVER GREEN RIVER		
SCALE: NONE	SHEET NO. 1 OF 2 SHEETS	STA. TO STA.

F.A.P. RTE.	SECTION	COUNTY	TOTAL SHEETS	SHEET NO.
638	129BR-4	HENRY	93	11
CONTRACT NO. 64025				
ILLINOIS FED. AID PROJECT				