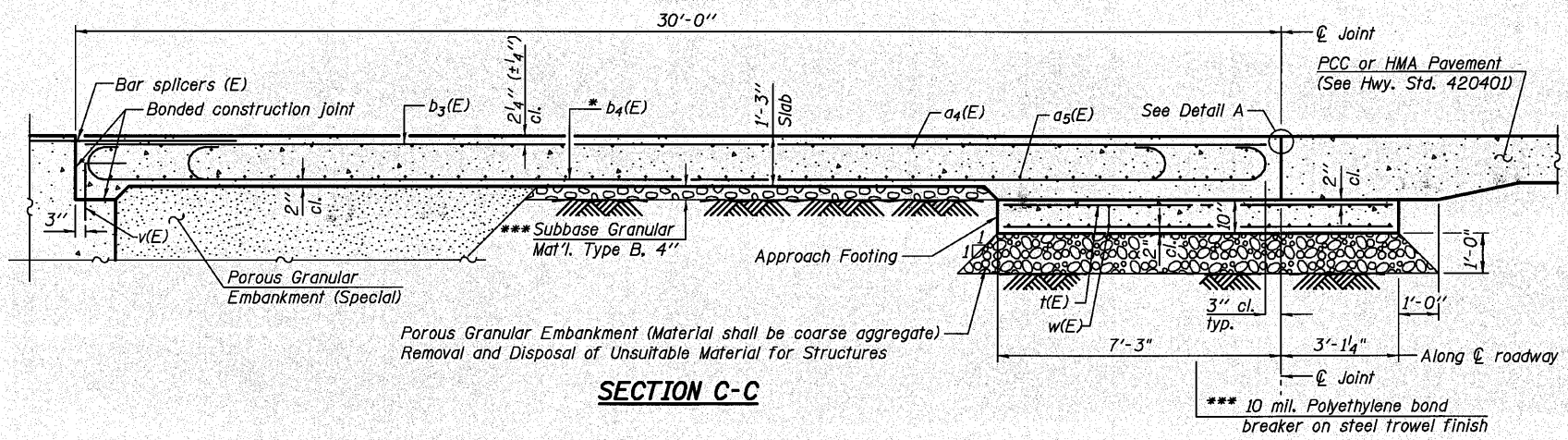
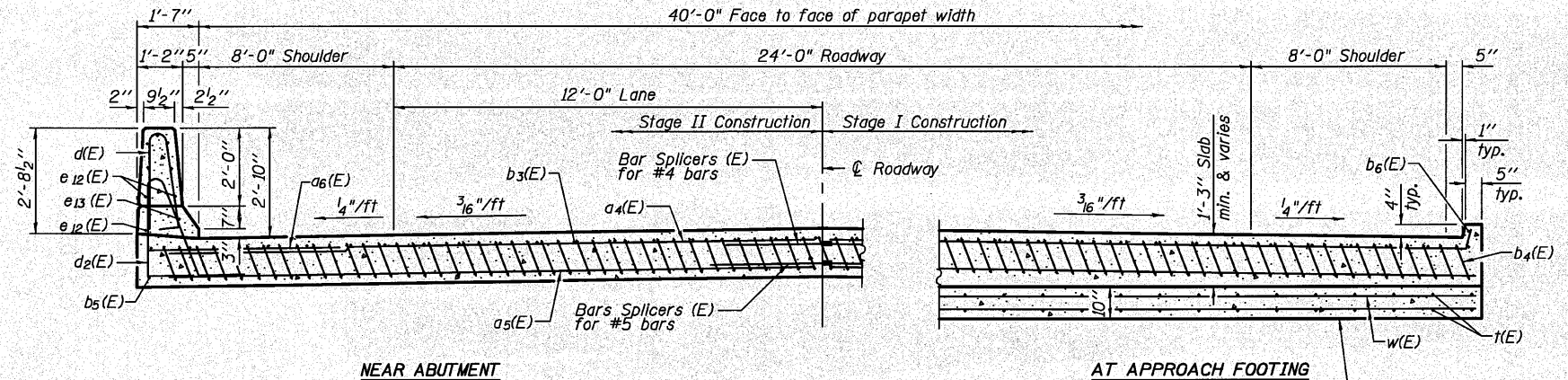


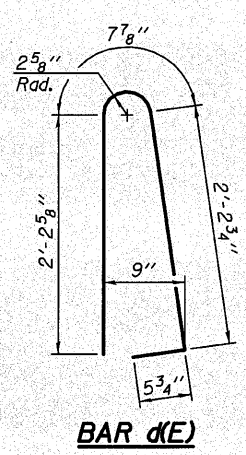
Notes:
 See sheet 14 of 29 for Detail A and View B-B.
 Approach Slab and Parapet concrete shall be paid for as Concrete Superstructure.
 Approach Footing concrete shall be paid for as Concrete Structures.
 Reinforcement shall be paid for as Reinforcement Bars, Epoxy Coated.
 For v(E) bar details, see sheet 13 of 29.
 The Approach Footing maximum applied service bearing pressure (Qmax) = 2.0 ksf.
 For Bar Splicer details, see sheet 27 of 29.
 Cost of excavation for Approach Footing included with Concrete Structures.
 For Porous Granular Embankment (Special) and drainage treatment details, see sheet 2 of 29.
 For additional parapet details, see sheet 13 of 29.



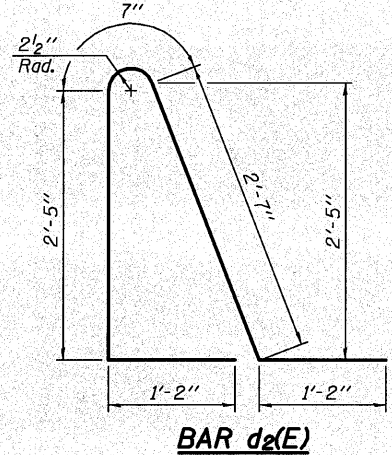
SECTION C-C



SECTION D-D
 (See Plan for dimensions not shown)



BAR d(E)

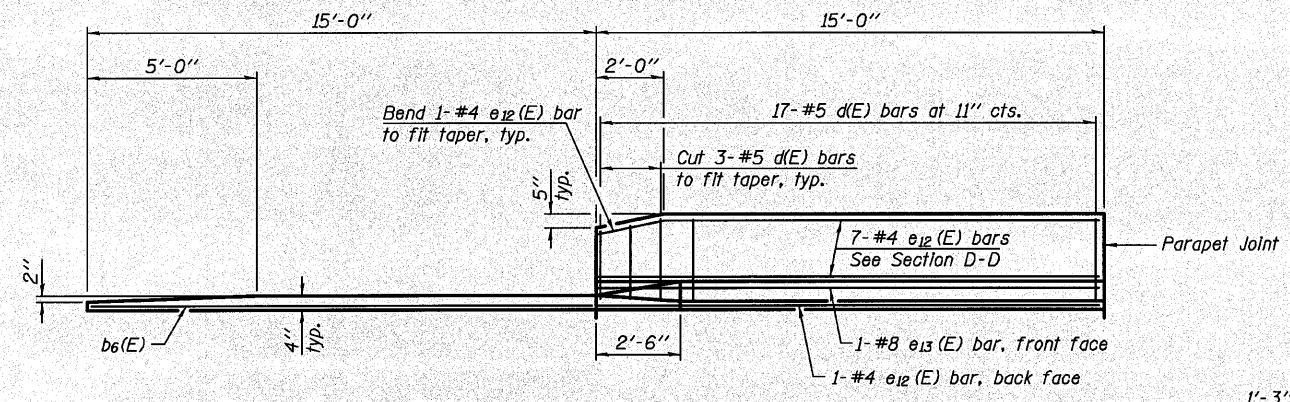


BAR d2(E)

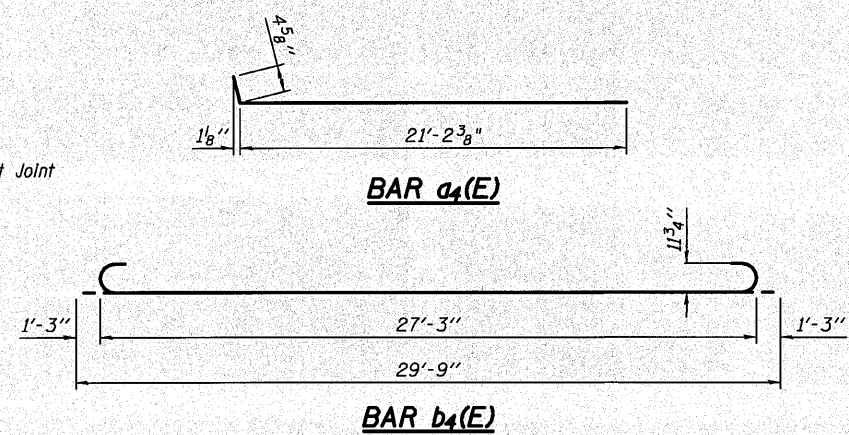
* Tilt #9 b4(E) bars as required to maintain clearance.
 *** Cost Included with Concrete Superstructure.

**TWO APPROACHES
 BILL OF MATERIAL**

Bar	No.	Size	Length	Shape
a4(E)	100	#4	21'-7"	┌───┐
a5(E)	184	#5	21'-3"	┌───┐
a6(E)	48	#6	6'-6"	┌───┐
b3(E)	68	#4	29'-8"	┌───┐
b4(E)	200	#9	29'-9"	┌───┐
b5(E)	4	#4	14'-8"	┌───┐
b6(E)	4	#4	14'-10"	┌───┐
d(E)	68	#5	5'-7"	┌───┐
d2(E)	68	#5	7'-11"	┌───┐
e12(E)	32	#4	14'-8"	┌───┐
e13(E)	4	#8	14'-8"	┌───┐
t(E)	168	#4	10'-0"	┌───┐
w(E)	160	#5	21'-4"	┌───┐
Porous Granular Embankment			Cu. Yd.	37
Removal and Disposal of Unsuitable Material for Structures			Cu. Yd.	37
Concrete Structures			Cu. Yd.	26.7
Concrete Superstructure			Cu. Yd.	130.0
Bridge Deck Grooving			Sq. Yd.	256
Protective Coat			Sq. Yd.	290
Reinforcement Bars, Epoxy Coated			Pound	33750
Bar Splicers			Each	222



VIEW E-E



BAR a4(E)

BAR b4(E)

1/22/2010 10:07:04 AM G:\ENR\06-5796-44\02_Bridges\Phase 2\ILL02\CAD\Structures\Sh\0370176_54026_01_1_5.rvt\approp-slab.tbl.dgn



DESIGNED - MWS	REVISD -
CHECKED - B.J.M	REVISD -
DRAWN - MWS	REVISD -
CHECKED - B.J.M	REVISD -

PLOT DATE = 11/22/2010

**STATE OF ILLINOIS
 DEPARTMENT OF TRANSPORTATION**

**BRIDGE APPROACH SLAB DETAILS
 STRUCTURE NO. 037-0176
 SHEET NO. 15 OF 29 SHEETS**

F.A.P. RTE.	SECTION	COUNTY	TOTAL SHEETS	SHEET NO.
638	129BR-4	HENRY	93	36
CONTRACT NO. 64D25				
ILLINOIS FED. AID PROJECT				